

## Appendix

### TABLE OF CONTENTS

Reference Topic	Page #
Standard Gauges Increments and Faces .....	123-124
Ball Valve Parts Diagrams .....	125
Seal Information and Seal Kits .....	126
Special Order Motor Information .....	127
Crossover Reference Charts	
Prince (PTO Pumps) .....	127
Concentric / Haldex Barnes (2-stage Pumps) .....	127
Char-Lynn® (Motors) .....	128-130
White Drive Products (Motors) .....	131-134
Sauer Danfoss (Motors) .....	135-136
Motor Parts Assembly Diagrams	
BMM .....	137
BMPH .....	138-139
BMRS .....	140-141
BMSY .....	142-143
BMH .....	144-145
BMER .....	146-147
BMT .....	148-149
BMV .....	150-151
BMK6 .....	152-153
Pump Parts Assembly Diagrams	
F10 .....	154
F20 .....	155
F25 .....	156
CBN (080-160) .....	157
CBN (220-280) .....	158
PTO .....	159
Metric Conversions Tables .....	160
Dynamic Terms and Conditions .....	161

# Standard Pressure Gauge Increments

## Series: CDS, CF, CFC, PDLC

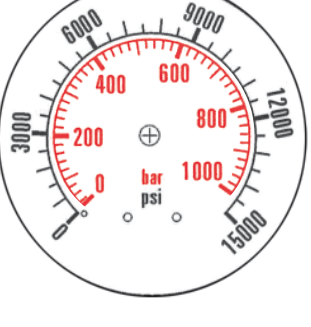
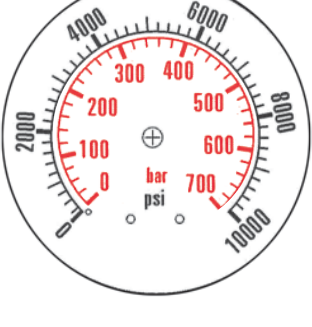
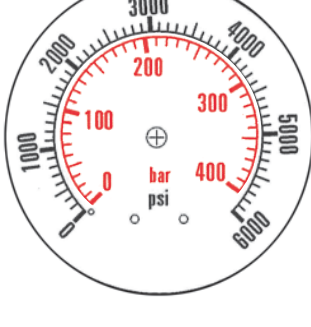
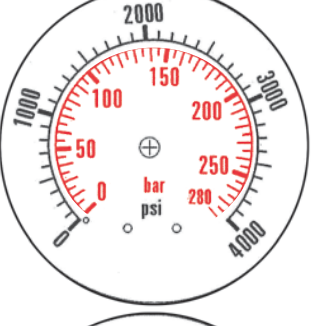
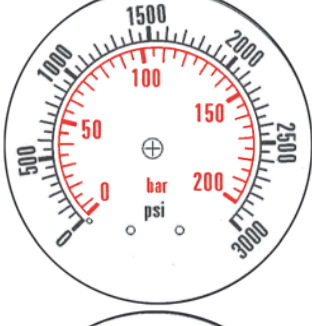
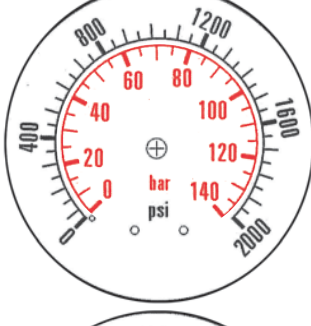
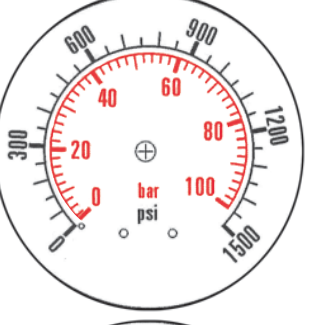
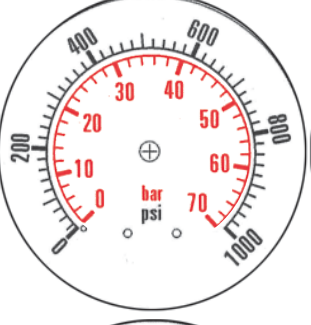
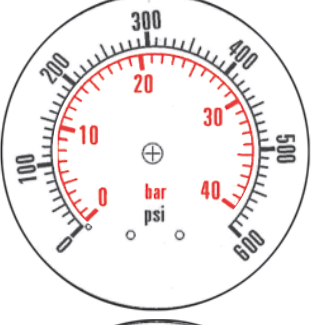
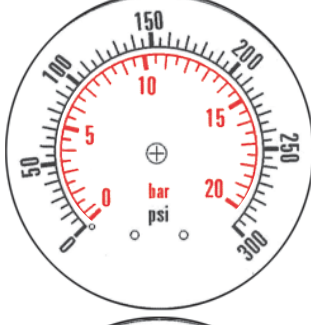
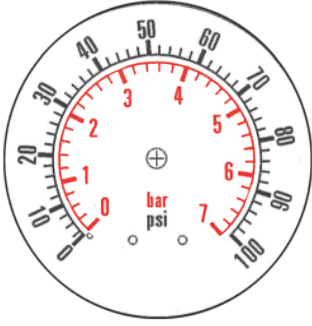
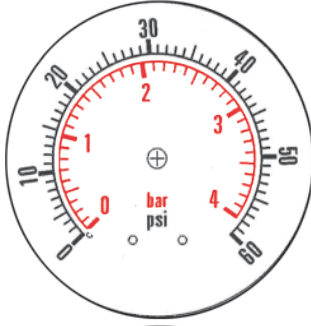
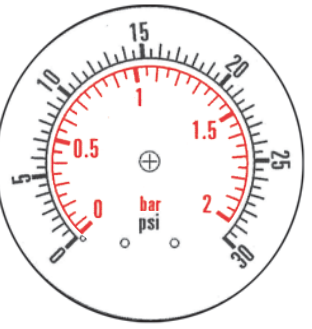
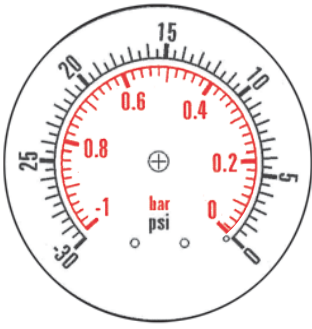
The chart below and images on the next page represent the standard gauge increments for 1 1/2", 2", 2 1/2" and 4" gauges for the CDS, CF, CFC and PDLC Series.

Order Code	Range	Figures	Increments
000 (Vacuum)	30" Hg - 0 psi	-5"	-.5"
002 (Compound)	30" Hg - 30 psi	-10" / 5 psi	-2" / 1 psi
001	0-15 psi	3 psi	.5 psi
002	0-30 psi	5 psi	.5 psi
004	0-60 psi	10 psi	1 psi
007	0-100 psi	10 psi	2 psi
010	0-160 psi	40 psi	5 psi
015	0-200 psi	40 psi	5 psi
020	0-300 psi	50 psi	5 psi
040	0-600 psi	100 psi	10 psi
070	0-1000 psi	200 psi	20 psi
100	0-1500 psi	300 psi	50 psi
140	0-2000 psi	400 psi	50 psi
210	0-3000 psi	500 psi	50 psi
280	0-4000 psi	1000 psi	100 psi
350	0-5000 psi	1000 psi	100 psi
420	0-6000 psi	1000 psi	100 psi
700	0-10000 psi	2000 psi	200 psi
800	0-15000 psi	3000 psi	500 psi

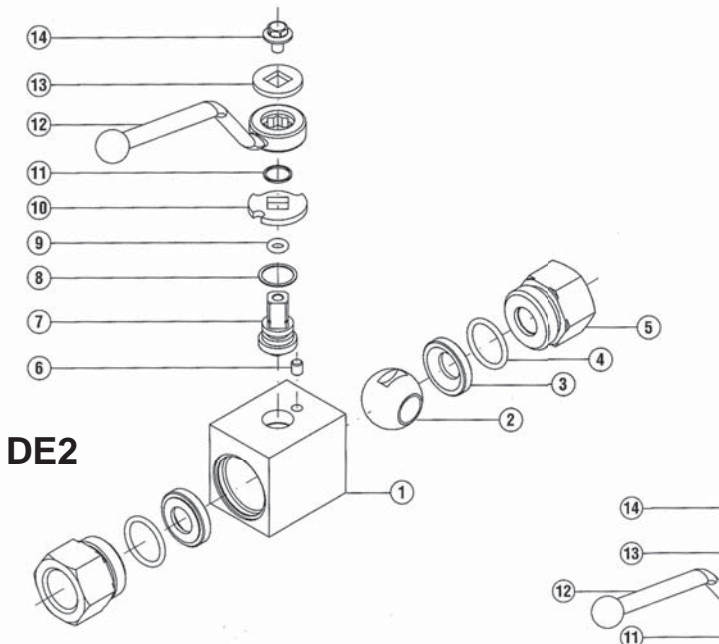
## Custom Faces, Logos and Increments

Custom gauges are available with a minimum order (100 pieces for liquid-filled gauges; 250 pieces for dry gauges). Custom orders require a 14-16 week turnaround after artwork is approved. There is no additional cost for this service. For more information about custom and logo gauges, contact Dynamic at 800-988-1276.

Standard Pressure Gauge Faces (Series: CDS, CF, CFC, PDLIC)



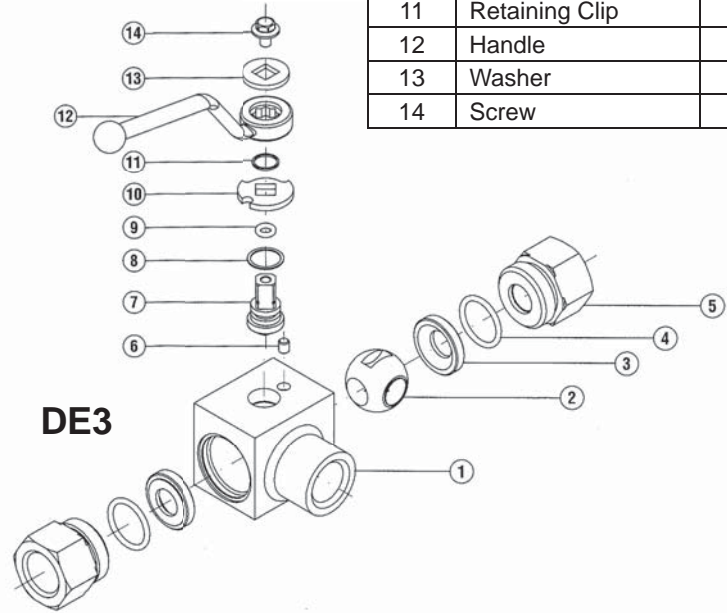
# Ball Valves - Parts Assembly Diagrams



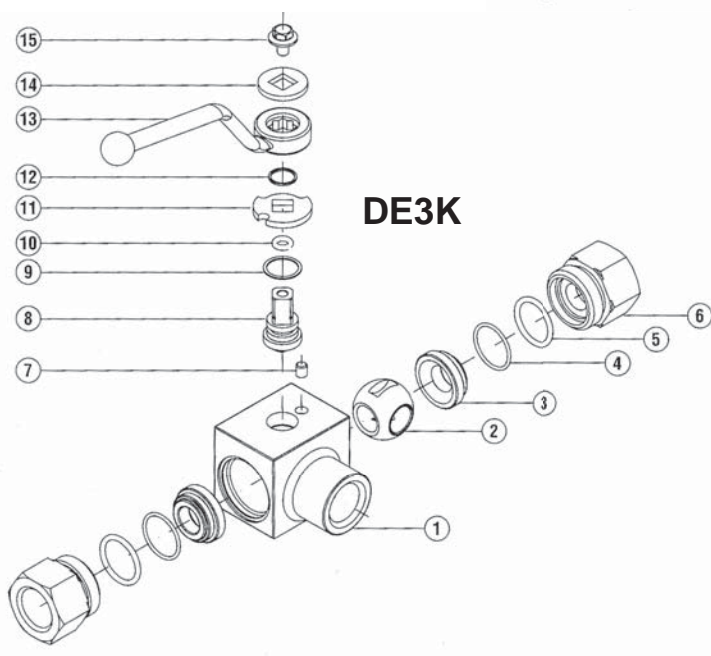
**DE2**

## DE2/DE3 - Parts Listing

#	Part Description	Qty per Valve
1	Valve Body	1
2	Ball	1
3	POM* Ball Seat	2
4	O Ring - Buna-N*	2
5	Ports	2
6	Spine	1
7	Stem	1
8	Stem Seal	1
9	O Ring - Buna-N*	1
10	Washer	1
11	Retaining Clip	1
12	Handle	1
13	Washer	1
14	Screw	1



**DE3**



**DE3K**

## DE3K - Parts Listing

#	Part Description	Qty per Valve
1	Valve Body	1
2	Ball	1
3	POM* Ball Seat	2
4	O Ring - Buna-N*	2
5	O Ring Adapter	2
6	Ports	2
7	Spine	1
8	Stem	1
9	Stem Seal	1
10	O Ring - Buna-N*	1
11	Washer	1
12	Retaining Clip	1
13	Handle	1
14	Washer	1
15	Screw	1

\* Additional ball seat and o-ring options may be available by special order.

# Seal Information

## Working Temperatures for Seals

Seal Type	Minimum	Maximum
POM	-22°F	212°F
Buna-N	-22°F	212°F
Peek	-58°F	482°F
Viton	-13°F	392°F
EPDM	-58°F	302°F

## Gear Pump Seal Kits

Pump Series	Shaft	Seal Type	Color	Item # / Description	Shaft Seal Dimensions (inner diameter / outer diameter / thickness)
GP-F10	P (1/2" Straight)	Buna-N	Black	GP-F10-P-SK-BN	14mm / 24mm / 7mm
		Viton	Green	GP-F10-P-SK-Viton	14mm / 24mm / 7mm
GP-F20	P (5/8" Straight) S9 (9-tooth Spline)	Buna-N	Black	GP-F20-P-SK-BN-SS-12T	18mm / 30mm / 10mm
		Viton	Green	GP-F20-P-SK-Viton-SS-12T	18mm / 30mm / 10mm
	P1 (3/4" Straight) S11 (11-tooth Spline)	Buna-N	Black	GP-F20-P1-SK-BN-SS-12T	19mm / 30mm / 7mm
		Viton	Green	GP-F20-P1-SK-Viton-SS-12T	19mm / 30mm / 7mm
GP-F25	P (7/8" Straight) S13 (13-tooth Spline)	EPDM	Black	GP-F20-P1-SK-EPDM-SS-12T	19mm / 30mm / 7mm
		Buna-N	Black	GP-F25-P-SK-BN	25mm / 38mm / 8mm
GP-CBN (080-160)	P (1/2" Straight)	Viton	Green	GP-F25-P-SK-Viton	25mm / 38mm / 8mm
		Buna-N	Black	GP-CBN-Buna Seal Kit for -080	12.7mm / 28mm / 6.7mm
GP-CBN (220-280)	P (5/8" Straight)	Viton	Green	GP-CBN-Viton Seal Kit for -080	12.7mm / 28mm / 6.7mm
		Buna-N	Black	GP-CBN-Buna Seal Kit for -220	16mm / 35mm / 7mm
GP-PTO (side ports)	-	Viton	Green	GP-CBN-Viton Seal Kit for -220	16mm / 35mm / 7mm
		Buna-N	Black	GP-PTO Seal Kit - SS	47.6mm / 67mm / 8mm
GP-PTO (rear ports)	-	Buna-N	Black	GP-PTO Seal Kit 9-21-R	47.6mm / 67mm / 8mm

\*Additional seal options may be available. Consult factory for details.

## Motor Seal Kits

Motor Series	Item # / Description
BMM	61300 / BMM Seal Kit
BMPH	64404 / BMPH Seal Kit - HP (3000 PSI)
BMRS	64410 / BMRS Seal Kit - HP (3000 PSI)
BMSY	61591 / BMSY Seal Kit - HP (3000 PSI)
BMH	61399 / BMH Seal Kit
BMER-1	64408 / BMER-1 Seal Kit
BMER-2	64414 / BMER-2 Seal Kit
BMT	61231 / BMT Seal Kit
BMV	61575 / BMV Seal Kit
BMK6	61800 / BMK6 Seal Kit

\*Higher pressure seal kits may be available on some models. Consult factory.

## Special Order Motor Options

### Free Running Option

A free running option is available by special order for all of Dynamic's Rotortorc™ and Rolortorc™ hydraulic motors. This feature increases the clearance between the star and outer ring, allowing the motor to turn more freely with less mechanical drag. The increased clearance also improves lubrication across the wear surfaces of the gerotor star and outer ring and provides a greater pressure-relieving flow path reducing pressure spikes. With this feature, the volumetric efficiency of the motor is reduced. Available by special order only. Longer lead times may apply. Consult factory for information.

### Private Label/Tag

Customized private labels/tags may be applied to motors. Minimum quantity is required. Longer lead times may apply. Consult factory for information.

### Unpainted Motors

Standard Dynamic motors are painted black. Unpainted motors are available by special order. Longer lead times may apply. Consult factory for information.

### Nickle Plated Drive Shafts

Nickle-plated drive shafts are available by special order. Longer lead times may apply. Consult factory for information.

## Pump Crossover Reference

### PTO Gear Pumps

PRINCE Model #	Prince Disp.	DYNAMIC Model #	Dynamic Disp.	Porting	Inlet	Outlet	Drive Shaft Required
HC-PTO-7A	3.6 in <sup>3</sup> /rev	<b>GP-PTO-A-3-6-S</b>	3.41 in <sup>3</sup> /rev	Side	SAE-16	SAE-12	1 3/8" dia. 6-Tooth Spline
HC-PTO-8A	3.6 in <sup>3</sup> /rev	<b>GP-PTO-A-3-21-S*</b>	3.41 in <sup>3</sup> /rev	Side	SAE-16	SAE-12	1 3/8" dia. 21-Tooth Spline
HC-PTO-2A	5.7 in <sup>3</sup> /rev	<b>GP-PTO-A-5-6-S</b>	5.50 in <sup>3</sup> /rev	Side	SAE-16	SAE-12	1 3/8" dia. 6-Tooth Spline
HC-PTO-3A	5.7 in <sup>3</sup> /rev	<b>GP-PTO-A-5-21-S*</b>	5.50 in <sup>3</sup> /rev	Side	SAE-16	SAE-12	1 3/8" dia. 21-Tooth Spline
HC-PTO-9A	7.8 in <sup>3</sup> /rev	<b>GP-PTO-A-7-6-S</b>	7.62 in <sup>3</sup> /rev	Side	SAE-16	SAE-12	1 3/8" dia. 6-Tooth Spline
HC-PTO-1A	9.9 in <sup>3</sup> /rev	<b>GP-PTO-A-9-6-S</b>	9.76 in <sup>3</sup> /rev	Side	SAE-16	SAE-12	1 3/8" dia. 6-Tooth Spline
HC-P-K11	9.9 in <sup>3</sup> /rev	<b>GP-PTO-A-9-21-R</b>	9.76 in <sup>3</sup> /rev	Rear	SAE-20	SAE-16	1 3/8" dia. 21-Tooth Spline

*\*Available by special order*

### HI LO Dual Stage Gear Pumps

CONCENTRIC (Haldex Barnes) Model #s	DYNAMIC Model #	Flow at 3600 rpm	Mount	Inlet	Outlet	Shaft
1300159 1002508	<b>GP-CBN-110-P-C</b>	11.0 gpm	4-Bolt	1" Inlet Tube	1/2" NPTF	1/2" dia. Woodruff Key
1300486 1003754	<b>GP-CBN-130-P-C</b>	13.0 gpm	4-Bolt	1" Inlet Tube	1/2" NPTF	1/2" dia. Woodruff Key
1300487 1002509	<b>GP-CBN-160-P-C</b>	16.0 gpm	4-Bolt	1" Inlet Tube	1/2" NPTF	1/2" dia. Woodruff Key
1300488 1080085	<b>GP-CBN-220-P-C</b>	22.0 gpm	SAE A 2-Bolt	1" NPTF	3/4" NPTF	5/8" dia. Keyed Shaft
1300489 1080086	<b>GP-CBN-280-P-C</b>	28.0 gpm	SAE A 2-Bolt	1" NPTF	3/4" NPTF	5/8" dia. Keyed Shaft



# Crossover Reference - Char-Lynn® Motors

## 129-XXXX (J Series)

Char-Lynn® Model #	Dynamic Model #
129-0291	BMM-8-U-B-1U
129-0292	BMM-12.5-U-B-1U
129-0293	BMM-20-U-B-1U
129-0294	BMM-32-U-B-1U
129-0458	BMM-50-U-B-1U
129-0339	BMM-8-U-B-U
129-0340	BMM-12.5-U-B-U
129-0341	BMM-20-U-B-U
129-0342	BMM-32-U-B-U
129-0470	BMM-50-U-B-U

## 130-XXXX (A Series)

Char-Lynn® Model #	Dynamic Model #
130-1001	BMPH-50 H4-K-P
130-1003	BMPH-100 H4-K-P
130-1005	BMPH-50 H4-K-S
130-1006	BMPH-80 H4-K-S
130-1008	BMPH-160 H4-K-S
130-1010	BMPH-80 H2-K-P
130-1011	BMPH-100 H2-K-P
130-1013	BMPH-50 H2-K-S
130-1017	BMPH-400 H2-K-F
130-1018	BMPH-80 H4-S-P
130-1019	BMPH-100 H4-S-P
130-1020	BMPH-160 H4-S-P
130-1021	BMPH-50 H4-S-S
130-1022	BMPH-80 H4-S-S
130-1023	BMPH-100 H4-S-S
130-1024	BMPH-160 H4-S-S
130-1025	BMPH-50 H2-S-P
130-1026	BMPH-80 H2-S-P
130-1027	BMPH-100 H2-S-P
130-1028	BMPH-160 H2-S-P
130-1029	BMPH-50 H2-S-S
130-1030	BMPH-80 H2-S-S
130-1031	BMPH-100 H2-S-S
130-1032	BMPH-160 H2-S-S
130-1077	BMPH-50 H4-H-P
130-1078	BMPH-50 H2-H-F
130-1079	BMPH-50 H4-H-F
130-1080	BMPH-80 H4-H-F
130-1085	BMPH-80 H4-K-F
130-1087	BMPH-160 H2-K-F
130-1090	BMPH-80 H4-H-P
130-1091	BMPH-400 H4-S-P
130-1092	BMPH-50 H2-K-F
130-1119	BMPH-400 H4-K-S
130-1122	BMPH-400 H4-S-S
130-1145	BMPH-50 H2-K-S
130-1146	BMPH-125 H2-K-S

Char-Lynn® Model #	Dynamic Model #
130-1147	BMPH-160 H2-K-S
130-1148	BMPH-250 H2-K-S
130-1149	BMPH-315 H2-K-S
130-1151	BMPH-50 H2-K-P
130-1152	BMPH-125 H2-K-P
130-1153	BMPH-160 H2-K-P
130-1154	BMPH-250 H2-K-P
130-1155	BMPH-315 H2-K-P
130-1164	BMPH-50 H2-S-S
130-1165	BMPH-125 H2-S-S
130-1166	BMPH-160 H2-S-S
130-1167	BMPH-200 H2-S-S
130-1169	BMPH-315 H2-S-S
130-1171	BMPH-50 H2-S-P
130-1172	BMPH-125 H2-S-P
130-1173	BMPH-160 H2-S-P
130-1174	BMPH-200 H2-S-P
130-1175	BMPH-250 H2-S-P
130-1176	BMPH-315 H2-S-P
130-1206	BMPH-50 H4-K-S
130-1207	BMPH-125 H4-K-S
130-1208	BMPH-160 H4-K-S
130-1209	BMPH-200 H4-K-S
130-1210	BMPH-250 H4-K-S
130-1213	BMPH-50 H5-K-P
130-1214	BMPH-125 H4-K-P
130-1215	BMPH-160 H4-K-P
130-1217	BMPH-250 H4-K-P
130-1218	BMPH-315 H4-K-P
130-1227	BMPH-50 H4-S-S
130-1228	BMPH-125 H4-S-S
130-1229	BMPH-160 H4-S-S
130-1230	BMPH-200 H4-S-S
130-1231	BMPH-250 H4-S-S
130-1232	BMPH-315 H4-S-S
130-1234	BMPH-50 H4-S-F
130-1235	BMPH-125 H4-S-P
130-1236	BMPH-160 H4-S-P
130-1237	BMPH-200 H4-S-P
130-1238	BMPH-250 H4-S-P
130-1239	BMPH-315 H4-S-P
130-1250	BMPH-200 H4-K-F
130-1251	BMPH-250 H4-K-F
130-1258	BMPH-80 H2-S-F
130-1259	BMPH-100 H2-S-F
130-1283	BMPH-100 H4-H-P
130-1287	BMPH-315 H2-K-F
130-1296	BMPH-50 H4-H-S
130-1317	BMPH-315 H4-S-F
130-1323	BMPH-80 H2-S-S
130-1324	BMPH-100 H2-S-S
130-1327	BMPH-100 H4-K-F

Char-Lynn® Model #	Dynamic Model #
130-1365	BMPH-400 H2-K-S
130-1381	BMPH-160 H2-H-S
130-1398	BMPH-80 H2-K-F
130-1399	BMPH-100 H2-K-F
130-1400	BMPH-125 H2-K-F
130-1401	BMPH-125 H4-K-F
130-1405	BMPH-50 H4-K-F
130-1406	BMPH-50 H2-S-F
130-1412	BMPH-100 H4-H-F

## 101-XXXX (H Series)

Char-Lynn® Model #	Dynamic Model #
101-1001	BMPH-50 H4-K-P
101-1002	BMPH-80 H4-K-P
101-1003	BMPH-100 H4-K-P
101-1004	BMPH-160 H4-K-P
101-1005	BMPH-200 H4-K-P
101-1006	BMPH-250 H4-K-P
101-1007	BMPH-315 H4-K-P
101-1008	BMPH-400 H4-K-P
101-1009	BMPH-50 H4-K-S
101-1010	BMPH-80 H4-K-S
101-1011	BMPH-100 H4-K-S
101-1012	BMPH-160 H4-K-S
101-1013	BMPH-200 H4-K-S
101-1014	BMPH-250 H4-K-S
101-1015	BMPH-315 H4-K-S
101-1016	BMPH-400 H4-K-S
101-1017	BMPH-50 H4-K-F
101-1018	BMPH-80 H4-K-F
101-1019	BMPH-100 H4-K-F
101-1020	BMPH-160 H4-K-F
101-1021	BMPH-200 H4-K-F
101-1022	BMPH-250 H4-K-F
101-1023	BMPH-315 H4-K-F
101-1024	BMPH-400 H4-K-F
101-1025	BMPH-50 H2-K-P
101-1026	BMPH-80 H2-K-P
101-1027	BMPH-100 H2-K-P
101-1028	BMPH-160 H2-K-P
101-1029	BMPH-200 H2-K-P
101-1030	BMPH-250 H2-K-P
101-1031	BMPH-315 H2-K-P
101-1032	BMPH-400 H2-K-P
101-1033	BMPH-50 H2-K-S
101-1034	BMPH-80 H2-K-S
101-1035	BMPH-100 H2-K-S
101-1036	BMPH-160 H2-K-S
101-1037	BMPH-200 H2-K-S
101-1038	BMPH-250 H2-K-S
101-1039	BMPH-315 H2-K-S

Char-Lynn® Model #	Dynamic Model #
101-1040	BMPH-400 H2-K-S
101-1041	BMPH-50 H2-K-F
101-1042	BMPH-80 H2-K-F
101-1043	BMPH-100 H2-K-F
101-1044	BMPH-160 H2-K-F
101-1045	BMPH-200 H2-K-F
101-1046	BMPH-250 H2-K-F
101-1047	BMPH-315 H2-K-F
101-1048	BMPH-400 H2-K-F
101-1049	BMPH-50 H4-S-P
101-1050	BMPH-80 H4-S-P
101-1051	BMPH-100 H4-S-P
101-1052	BMPH-160 H4-S-P
101-1053	BMPH-200 H4-S-P
101-1054	BMPH-250 H4-S-P
101-1055	BMPH-315 H4-S-P
101-1056	BMPH-400 H4-S-P
101-1057	BMPH-50 H4-S-S
101-1058	BMPH-80 H4-S-S
101-1059	BMPH-100 H4-S-S
101-1060	BMPH-160 H4-S-S
101-1061	BMPH-200 H4-S-S
101-1062	BMPH-250 H4-S-S
101-1063	BMPH-315 H4-S-S
101-1064	BMPH-400 H4-S-S
101-1065	BMPH-50 H4-S-F
101-1066	BMPH-80 H4-S-F
101-1067	BMPH-100 H4-S-F
101-1068	BMPH-160 H4-S-F
101-1069	BMPH-200 H4-S-F
101-1070	BMPH-250 H4-S-F
101-1071	BMPH-315 H4-S-F
101-1072	BMPH-400 H4-S-F
101-1073	BMPH-50 H2-S-P
101-1074	BMPH-80 H2-S-P
101-1075	BMPH-100 H2-S-P
101-1076	BMPH-160 H2-S-P
101-1077	BMPH-200 H2-S-P
101-1078	BMPH-250 H2-S-P
101-1079	BMPH-315 H2-S-P
101-1080	BMPH-400 H2-S-P
101-1081	BMPH-50 H2-S-S
101-1082	BMPH-80 H2-S-S
101-1083	BMPH-100 H2-S-S
101-1084	BMPH-160 H2-S-S
101-1085	BMPH-200 H2-S-S
101-1086	BMPH-250 H2-S-S
101-1087	BMPH-315 H2-S-S
101-1088	BMPH-400 H2-S-S
101-1089	BMPH-50 H2-S-F
101-1090	BMPH-80 H2-S-F
101-1091	BMPH-100 H2-S-F

# Crossover Reference - Char-Lynn® Motors

## 101-XXXX (H Series)

Char-Lynn Model #	Dynamic Model #
101-1092	BMPH-160 H2-S-F
101-1093	BMPH-200 H2-S-F
101-1094	BMPH-250 H2-S-F
101-1095	BMPH-315 H2-S-F
101-1096	BMPH-400 H2-S-F
101-1305	BMPH-50 H4-H-F
101-1306	BMPH-80 H4-H-F
101-1307	BMPH-100 H4-H-F
101-1311	BMPH-50 H4-H-S
101-1312	BMPH-80 H4-H-P
101-1313	BMPH-50 H4-H-P
101-1314	BMPH-100 H4-H-P
101-1315	BMPH-160 H4-H-P
101-1319	BMPH-50 H2-H-P
101-1320	BMPH-80 H2-H-P
101-1323	BMPH-50 H2-H-S
101-1324	BMPH-80 H2-H-S
101-1325	BMPH-100 H2-H-S
101-1326	BMPH-160 H2-H-S
101-1463	BMPH-50 H2-H-F
101-1701	BMPH-50 H2-K-S
101-1702	BMPH-125 H2-K-S
101-1703	BMPH-160 H2-K-S
101-1705	BMPH-50 H2-K-P
101-1706	BMPH-125 H2-K-P
101-1707	BMPH-160 H2-K-P
101-1709	BMPH-50 H2-K-F
101-1710	BMPH-125 H2-K-F
101-1711	BMPH-160 H2-K-F
101-1722	BMPH-50 H2-S-S
101-1723	BMPH-125 H2-S-S
101-1724	BMPH-160 H2-S-S
101-1726	BMPH-50 H2-S-P
101-1727	BMPH-125 H2-S-P
101-1728	BMPH-160 H2-S-P
101-1730	BMPH-50 H2-S-F
101-1731	BMPH-125 H2-S-F
101-1732	BMPH-160 H2-S-F
101-1750	BMPH-50 H4-K-S
101-1751	BMPH-125 H4-K-S
101-1752	BMPH-160 H4-K-S
101-1754	BMPH-50 H5-K-P
101-1755	BMPH-125 H4-K-P
101-1756	BMPH-160 H4-K-P
101-1758	BMPH-50 H4-K-F
101-1759	BMPH-125 H4-K-F
101-1760	BMPH-160 H4-K-F
101-1762	BMPH-50 H4-S-S
101-1763	BMPH-160 H4-S-S
101-1765	BMPH-50 H4-S-F
101-1766	BMPH-125 H4-S-P

Char-Lynn Model #	Dynamic Model #
101-1767	BMPH-160 H4-S-P
101-1769	BMPH-50 H4-S-F
101-1770	BMPH-125 H4-S-F
101-1771	BMPH-160 H4-S-F
101-1872	BMPH-125 H4-S-S
101-1820	BMPH-50 H2-H-S
101-1821	BMPH-125 H2-H-S
101-1822	BMPH-160 H2-H-S
101-1824	BMPH-50 H2-H-P
101-1825	BMPH-100 H2-H-P
101-1826	BMPH-125 H2-H-P
101-1827	BMPH-160 H2-H-P
101-1828	BMPH-160 H2-H-P
101-1830	BMPH-50 H2-H-F
101-1831	BMPH-80 H2-H-F
101-1832	BMPH-100 H2-H-F
101-1833	BMPH-125 H2-H-F
101-1834	BMPH-160 H2-H-F
101-1855	BMPH-50 H4-H-S
101-1856	BMPH-80 H4-H-S
101-1857	BMPH-100 H4-H-S
101-1858	BMPH-125 H4-H-S
101-1859	BMPH-160 H4-H-S
101-1860	BMPH-160 H4-H-S
101-1862	BMPH-50 H4-H-P
101-1863	BMPH-125 H4-H-P
101-1864	BMPH-160 H4-H-P
101-1866	BMPH-50 H4-H-F
101-1867	BMPH-125 H4-H-F
101-1868	BMPH-160 H4-H-F
101-1869	BMPH-160 H4-H-F
101-1871	BMPH-160 H2-H-F

## 103-XXXX (S Series)

Char-Lynn Model #	Dynamic Model #
103-1002	BMRS-80 H4-K-P
103-1003	BMRS-100 H4-K-P
103-1004	BMRS-160 H4-K-P
103-1005	BMRS-200 H4-K-P
103-1006	BMRS-250 H4-K-P
103-1007	BMRS-315 H4-K-P
103-1008	BMRS-375 H4-K-P
103-1010	BMRS-80 H4-K-S
103-1011	BMRS-100 H4-K-S
103-1012	BMRS-160 H4-K-S
103-1013	BMRS-200 H4-K-S
103-1014	BMRS-250 H4-K-S
103-1015	BMRS-315 H4-K-S
103-1016	BMRS-375 H4-K-S
103-1018	BMRS-80 H4-K-F
103-1019	BMRS-100 H4-K-F

Char-Lynn Model #	Dynamic Model #
103-1020	BMRS-160 H4-K-F
103-1021	BMRS-200 H4-K-F
103-1022	BMRS-250 H4-K-F
103-1023	BMRS-315 H4-K-F
103-1024	BMRS-375 H4-K-F
103-1026	BMRS-80 H2-K-P
103-1027	BMRS-100 H2-K-P
103-1028	BMRS-160 H2-K-P
103-1029	BMRS-200 H2-K-P
103-1030	BMRS-250 H2-K-P
103-1031	BMRS-315 H2-K-P
103-1032	BMRS-375 H2-K-P
103-1034	BMRS-80 H2-K-S
103-1035	BMRS-100 H2-K-S
103-1036	BMRS-160 H2-K-S
103-1037	BMRS-200 H2-K-S
103-1038	BMRS-250 H2-K-S
103-1039	BMRS-315 H2-K-S
103-1040	BMRS-375 H2-K-S
103-1043	BMRS-100 H2-K-F
103-1044	BMRS-160 H2-K-F
103-1045	BMRS-200 H2-K-F
103-1046	BMRS-250 H2-K-F
103-1047	BMRS-315 H2-K-F
103-1048	BMRS-375 H2-K-F
103-1050	BMRS-80 H4-S-P
103-1051	BMRS-100 H4-S-P
103-1052	BMRS-160 H4-S-P
103-1053	BMRS-200 H4-S-P
103-1054	BMRS-250 H4-S-P
103-1055	BMRS-315 H4-S-P
103-1056	BMRS-375 H4-S-P
103-1058	BMRS-80 H4-S-S
103-1059	BMRS-100 H4-S-S
103-1060	BMRS-160 H4-S-S
103-1061	BMRS-200 H4-S-S
103-1062	BMRS-250 H4-S-S
103-1063	BMRS-315 H4-S-S
103-1064	BMRS-375 H4-S-S
103-1066	BMRS-80 H4-S-F
103-1067	BMRS-100 H4-S-F
103-1068	BMRS-160 H4-S-F
103-1069	BMRS-200 H4-S-F
103-1070	BMRS-250 H4-S-F
103-1071	BMRS-315 H4-S-F
103-1072	BMRS-375 H4-S-F
103-1074	BMRS-80 H2-S-P
103-1075	BMRS-100 H2-S-P
103-1076	BMRS-160 H2-S-P
103-1077	BMRS-200 H2-S-P
103-1078	BMRS-250 H2-S-P
103-1079	BMRS-315 H2-S-P

Char-Lynn Model #	Dynamic Model #
103-1080	BMRS-375 H2-S-P
103-1082	BMRS-80 H2-S-S
103-1083	BMRS-100 H2-S-S
103-1084	BMRS-160 H2-S-S
103-1085	BMRS-200 H2-S-S
103-1086	BMRS-250 H2-S-S
103-1087	BMRS-315 H2-S-S
103-1088	BMRS-375 H2-S-S
103-1090	BMRS-80 H2-S-F
103-1091	BMRS-100 H2-S-F
103-1092	BMRS-160 H2-S-F
103-1093	BMRS-200 H2-S-F
103-1094	BMRS-250 H2-S-F
103-1095	BMRS-315 H2-S-F
103-1096	BMRS-375 H2-S-F
103-1537	BMRS-50 H2-K-S
103-1538	BMRS-125 H2-K-S
103-1539	BMRS-160 H2-K-S
103-1540	BMRS-50 H2-K-P
103-1541	BMRS-125 H2-K-P
103-1542	BMRS-160 H2-K-P
103-1543	BMRS-50 H2-K-F
103-1544	BMRS-125 H2-K-F
103-1545	BMRS-160 H2-K-F
103-1552	BMRS-50 H2-S-S
103-1553	BMRS-125 H2-S-S
103-1554	BMRS-160 H2-S-S
103-1555	BMRS-50 H2-S-P
103-1556	BMRS-125 H2-S-P
103-1557	BMRS-160 H2-S-P
103-1558	BMRS-50 H2-S-F
103-1559	BMRS-125 H2-S-F
103-1560	BMRS-160 H2-S-F
103-1570	BMRS-50 H4-K-S

## 104-XXXX (2000 Series)

Char-Lynn Model #	Dynamic Model #
104-1001	BMSY-80-E2-K-S
104-1002	BMSY-100-E2-K-S
104-1003	BMSY-125-E2-K-S
104-1004	BMSY-160-E2-K-S
104-1005	BMSY-200-E2-K-S
104-1006	BMSY-250-E2-K-S
104-1007	BMSY-315-E2-K-S
104-1008	BMSY-80-E2-T3-S
104-1009	BMSY-100-E2-T3-S
104-1010	BMSY-125-E2-T3-S
104-1011	BMSY-160-E2-T3-S
104-1012	BMSY-200-E2-T3-S
104-1013	BMSY-250-E2-T3-S
104-1014	BMSY-315-E2-T3-S

GAUGES & ACCESSORIES

HYDRAULIC PUMPS

HYDRAULIC MOTORS

APPENDIX



# Crossover Reference - Char-Lynn® Motors

## 104-XXXX (2000 Series)

Char-Lynn® Model #	Dynamic Model #
104-1015	BMSY-80-E2-S1-S
104-1016	BMSY-100-E2-S1-S
104-1017	BMSY-125-E2-S1-S
104-1018	BMSY-160-E2-S1-S
104-1019	BMSY-200-E2-S1-S
104-1020	BMSY-250-E2-S1-S
104-1021	BMSY-315-E2-S1-S
104-1022	BMSY-80-E2-G-S
104-1023	BMSY-100-E2-G-S
104-1024	BMSY-125-E2-G-S
104-1025	BMSY-160-E2-G-S
104-1026	BMSY-200-E2-G-S
104-1027	BMSY-250-E2-G-S
104-1028	BMSY-315-E2-G-S
104-1029	BMSY-80-E2-F-S
104-1030	BMSY-100-E2-F-S
104-1031	BMSY-125-E2-F-S
104-1032	BMSY-160-E2-F-S
104-1033	BMSY-200-E2-F-S
104-1034	BMSY-250-E2-F-S
104-1035	BMSY-315-E2-F-S
104-1036	BMSY-80-E2-T3-F
104-1037	BMSY-80-E2-K-ED
104-1038	BMSY-100-E2-K-ED
104-1039	BMSY-125-E2-K-ED
104-1040	BMSY-160-E2-K-ED
104-1041	BMSY-200-E2-K-ED
104-1042	BMSY-250-E2-K-ED
104-1043	BMSY-315-E2-K-ED
104-1044	BMSY-400-E2-K-ED
104-1053	BMSY-80-E2-S1-ED
104-1054	BMSY-100-E2-S1-ED
104-1055	BMSY-125-E2-S1-ED
104-1056	BMSY-160-E2-S1-ED
104-1057	BMSY-200-E2-S1-ED
104-1058	BMSY-250-E2-S1-ED
104-1059	BMSY-315-E2-S1-ED
104-1060	BMSY-400-E2-S1-ED
104-1061	BMSY-80-E2-G-ED
104-1062	BMSY-100-E2-G-ED
104-1063	BMSY-125-E2-G-ED
104-1064	BMSY-160-E2-G-ED
104-1065	BMSY-200-E2-G-ED
104-1066	BMSY-250-E2-G-ED
104-1067	BMSY-315-E2-G-ED
104-1068	BMSY-400-E2-G-ED
104-1069	BMSY-250-E2-S1-F
104-1070	BMSY-125-E2-K-F
104-1079	BMSY-80-E2-F-F
104-1080	BMSY-100-E2-F-F
104-1081	BMSY-125-E2-F-F
104-1082	BMSY-160-E2-F-F
104-1083	BMSY-200-E2-F-F

## 105-XXXX (2000 Series)

Char-Lynn® Model #	Dynamic Model #
105-1001	BMSY-80 WE-T4-S
105-1002	BMSY-100 WE-T4-S
105-1003	BMSY-125 WE-T4-S
105-1004	BMSY-160 WE-T4-S
105-1005	BMSY-200 WE-T4-S
105-1006	BMSY-250 WE-T4-S
105-1007	BMSY-315 WE-T4-S
105-1008	BMSY-80 WE-D-S
105-1009	BMSY-100 WE-D-S
105-1010	BMSY-125 WE-D-S
105-1011	BMSY-160 WE-D-S
105-1012	BMSY-200 WE-D-S
105-1013	BMSY-250 WE-D-S
105-1014	BMSY-315 WE-D-S
105-1022	BMSY-80 WE-G-S
105-1023	BMSY-100 WE-G-S
105-1024	BMSY-125 WE-G-S
105-1025	BMSY-160 WE-G-S
105-1026	BMSY-200 WE-G-S
105-1027	BMSY-250 WE-G-S
105-1028	BMSY-315 WE-G-S
105-1029	BMSY-80 WE-F-S
105-1030	BMSY-100 WE-F-S
105-1031	BMSY-125 WE-F-S
105-1032	BMSY-160 WE-F-S
105-1033	BMSY-200 WE-F-S
105-1034	BMSY-250 WE-F-S
105-1035	BMSY-315 WE-F-S
105-1036	BMSY-80 WE-D-ED
105-1037	BMSY-100 WE-D-ED
105-1039	BMSY-160 WE-D-ED
105-1040	BMSY-200 WE-D-ED
105-1042	BMSY-315 WE-D-ED
105-1052	BMSY-80 WE-G-ED
105-1053	BMSY-100 WE-G-ED
105-1054	BMSY-125 WE-G-ED
105-1055	BMSY-160 WE-G-ED
105-1056	BMSY-200 WE-G-ED
105-1057	BMSY-250 WE-G-ED
105-1058	BMSY-315 WE-G-ED
105-1059	BMSY-400 WE-G-ED
105-1060	BMSY-400 WE-T4-S
105-1061	BMSY-400 WE-D-S
105-1063	BMSY-400 WE-G-S
105-1071	BMSY-80 WE-T4-ED
105-1072	BMSY-100 WE-T4-ED
105-1073	BMSY-125 WE-T4-ED
105-1074	BMSY-160 WE-T4-ED
105-1075	BMSY-200 WE-T4-ED
105-1076	BMSY-250 WE-T4-ED
105-1077	BMSY-315 WE-T4-ED
105-1078	BMSY-400 WE-T4-ED
105-1079	BMSY-80 WE-F-ED

Char-Lynn® Model #	Dynamic Model #
105-1080	BMSY-100 WE-F-ED
105-1081	BMSY-125 WE-F-ED
105-1082	BMSY-160 WE-F-ED
105-1083	BMSY-200 WE-F-ED
105-1084	BMSY-250 WE-F-ED
105-1085	BMSY-315 WE-F-ED
105-1086	BMSY-400 WE-F-ED

## 112/113-XXXX (6000 Series)

Char-Lynn® Model #	Dynamic Model #
112-1058	BMK6-200-CC-FE-SF5
112-1059	BMK6-250-CC-FE-SF5
112-1060	BMK6-315-CC-FE-SF5
112-1061	BMK6-400-CC-FE-SF5
112-1062	BMK6-500-CC-FE-SF5
112-1109	BMK6-630-CC-FE-SF5
112-1063	BMK6-1000-CC-FE-SF5
112-1064	BMK6-200-CC-G2-SF5
112-1065	BMK6-250-CC-G2-SF5
112-1066	BMK6-315-CC-G2-SF5
112-1067	BMK6-400-CC-G2-SF5
112-1068	BMK6-500-CC-G2-SF5
112-1107	BMK6-630-CC-G2-SF5
112-1069	BMK6-1000-CC-G2-SF5
112-1088	BMK6-200-CC-FE-SF7
112-1089	BMK6-250-CC-FE-SF7
112-1090	BMK6-315-CC-FE-SF7
112-1091	BMK6-400-CC-FE-SF7
112-1092	BMK6-500-CC-FE-SF7
112-1093	BMK6-1000-CC-FE-SF7
112-1094	BMK6-200-CC-Y1-SF7
112-1095	BMK6-250-CC-Y1-SF7
112-1096	BMK6-315-CC-Y1-SF7
112-1097	BMK6-400-CC-Y1-SF7
112-1098	BMK6-500-CC-Y1-SF7
112-1099	BMK6-1000-CC-Y1-SF7
113-1070	BMK6-200-W-T1-SF5
113-1071	BMK6-250-W-T1-SF5
113-1072	BMK6-315-W-T1-SF5
113-1073	BMK6-400-W-T1-SF5
113-1074	BMK6-500-W-T1-SF5
113-1093	BMK6-630-W-T1-SF5
113-1075	BMK6-1000-W-T1-SF5
113-1082	BMK6-200-W-Y1-SF7
113-1083	BMK6-250-W-Y1-SF7
113-1084	BMK6-315-W-Y1-SF7
113-1085	BMK6-400-W-Y1-SF7
113-1086	BMK6-500-W-Y1-SF7
113-1100	BMK6-630-W-Y1-SF7
113-1087	BMK6-1000-W-Y1-SF7

# Crossover Reference - White Motors

## 500 Series & 530 Series

White Model #	Dynamic Model #	White Model #	Dynamic Model #	White Model #	Dynamic Model #
5*0-120-A31-02	BMER-2-125-FS-SW-S-R	5*0-230-W31-02	BMER-2-230-WS-SW-S-R	5*0-375-A51-02	BMER-2-375-FS-SW-S-R
5*0-120-A31-10	BMER-2-125-FS-RW-S-R	5*0-230-W31-10	BMER-2-230-WS-RW-S-R	5*0-375-A51-10	BMER-2-375-FS-RW-S-R
5*0-120-A31-20	BMER-2-125-FS-G2-S-R	5*0-230-W31-20	BMER-2-230-WS-G2-S-R	5*0-375-A51-20	BMER-2-375-FS-G2-S-R
5*0-120-A31-22	BMER-2-125-FS-T4-S-R	5*0-230-W31-22	BMER-2-230-WS-T4-S-R	5*0-375-A51-22	BMER-2-375-FS-T4-S-R
5*0-120-A31-23	BMER-2-125-FS-FD1-S-R	5*0-230-W31-23	BMER-2-230-WS-FD1-S-R	5*0-375-A51-23	BMER-2-375-FS-FD1-S-R
5*0-120-A51-02	BMER-2-125-FS-SW-S-R	5*0-260-A31-02	BMER-2-250-FS-SW-S-R	5*0-375-W31-02	BMER-2-375-WS-SW-S-R
5*0-120-A51-10	BMER-2-125-FS-RW-S-R	5*0-260-A31-10	BMER-2-250-FS-RW-S-R	5*0-375-W31-10	BMER-2-375-WS-RW-S-R
5*0-120-A51-20	BMER-2-125-FS-G2-S-R	5*0-260-A31-20	BMER-2-250-FS-G2-S-R	5*0-375-W31-20	BMER-2-375-WS-G2-S-R
5*0-120-A51-22	BMER-2-125-FS-T4-S-R	5*0-260-A31-22	BMER-2-250-FS-T4-S-R	5*0-375-W31-22	BMER-2-375-WS-T4-S-R
5*0-120-A51-23	BMER-2-125-FS-FD1-S-R	5*0-260-A31-23	BMER-2-250-FS-FD1-S-R	5*0-375-W31-23	BMER-2-375-WS-FD1-S-R
5*0-120-W31-02	BMER-2-125-WS-SW-S-R	5*0-260-A51-02	BMER-2-250-FS-SW-S-R	5*0-470-A31-02	BMER-2-475-FS-SW-S-R
5*0-120-W31-10	BMER-2-125-WS-RW-S-R	5*0-260-A51-10	BMER-2-250-FS-RW-S-R	5*0-470-A31-10	BMER-2-475-FS-RW-S-R
5*0-120-W31-20	BMER-2-125-WS-G2-S-R	5*0-260-A51-20	BMER-2-250-FS-G2-S-R	5*0-470-A31-20	BMER-2-475-FS-G2-S-R
5*0-120-W31-22	BMER-2-125-WS-T4-S-R	5*0-260-A51-22	BMER-2-250-FS-T4-S-R	5*0-470-A31-22	BMER-2-475-FS-T4-S-R
5*0-120-W31-23	BMER-2-125-WS-FD1-S-R	5*0-260-A51-23	BMER-2-250-FS-FD1-S-R	5*0-470-A31-23	BMER-2-475-FS-FD1-S-R
5*0-160-A31-02	BMER-2-160-FS-SW-S-R	5*0-260-W31-02	BMER-2-250-WS-SW-S-R	5*0-470-A51-02	BMER-2-475-FS-SW-S-R
5*0-160-A31-10	BMER-2-160-FS-RW-S-R	5*0-260-W31-10	BMER-2-250-WS-RW-S-R	5*0-470-A51-10	BMER-2-475-FS-RW-S-R
5*0-160-A31-20	BMER-2-160-FS-G2-S-R	5*0-260-W31-20	BMER-2-250-WS-G2-S-R	5*0-470-A51-20	BMER-2-475-FS-G2-S-R
5*0-160-A31-22	BMER-2-160-FS-T4-S-R	5*0-260-W31-22	BMER-2-250-WS-T4-S-R	5*0-470-A51-22	BMER-2-475-FS-T4-S-R
5*0-160-A31-23	BMER-2-160-FS-FD1-S-R	5*0-260-W31-23	BMER-2-250-WS-FD1-S-R	5*0-470-A51-23	BMER-2-475-FS-FD1-S-R
5*0-160-A51-02	BMER-2-160-FS-SW-S-R	5*0-300-A31-02	BMER-2-300-FS-SW-S-R	5*0-470-W31-02	BMER-2-475-WS-SW-S-R
5*0-160-A51-10	BMER-2-160-FS-RW-S-R	5*0-300-A31-10	BMER-2-300-FS-RW-S-R	5*0-470-W31-10	BMER-2-475-WS-RW-S-R
5*0-160-A51-20	BMER-2-160-FS-G2-S-R	5*0-300-A31-20	BMER-2-300-FS-G2-S-R	5*0-470-W31-20	BMER-2-475-WS-G2-S-R
5*0-160-A51-22	BMER-2-160-FS-T4-S-R	5*0-300-A31-22	BMER-2-300-FS-T4-S-R	5*0-470-W31-22	BMER-2-475-WS-T4-S-R
5*0-160-A51-23	BMER-2-160-FS-FD1-S-R	5*0-300-A31-23	BMER-2-300-FS-FD1-S-R	5*0-470-W31-23	BMER-2-475-WS-FD1-S-R
5*0-160-W31-02	BMER-2-160-WS-SW-S-R	5*0-300-A51-02	BMER-2-300-FS-SW-S-R	5*0-540-A31-02	BMER-2-540-FS-SW-S-R
5*0-160-W31-10	BMER-2-160-WS-RW-S-R	5*0-300-A51-10	BMER-2-300-FS-RW-S-R	5*0-540-A31-10	BMER-2-540-FS-RW-S-R
5*0-160-W31-20	BMER-2-160-WS-G2-S-R	5*0-300-A51-20	BMER-2-300-FS-G2-S-R	5*0-540-A31-20	BMER-2-540-FS-G2-S-R
5*0-160-W31-22	BMER-2-160-WS-T4-S-R	5*0-300-A51-22	BMER-2-300-FS-T4-S-R	5*0-540-A31-22	BMER-2-540-FS-T4-S-R
5*0-160-W31-23	BMER-2-160-WS-FD1-S-R	5*0-300-A51-23	BMER-2-300-FS-FD1-S-R	5*0-540-A31-23	BMER-2-540-FS-FD1-S-R
5*0-200-A31-02	BMER-2-200-FS-SW-S-R	5*0-300-W31-02	BMER-2-300-WS-SW-S-R	5*0-540-A51-02	BMER-2-540-FS-SW-S-R
5*0-200-A31-10	BMER-2-200-FS-RW-S-R	5*0-300-W31-10	BMER-2-300-WS-RW-S-R	5*0-540-A51-10	BMER-2-540-FS-RW-S-R
5*0-200-A31-20	BMER-2-200-FS-G2-S-R	5*0-300-W31-20	BMER-2-300-WS-G2-S-R	5*0-540-A51-20	BMER-2-540-FS-G2-S-R
5*0-200-A31-22	BMER-2-200-FS-T4-S-R	5*0-300-W31-22	BMER-2-300-WS-T4-S-R	5*0-540-A51-22	BMER-2-540-FS-T4-S-R
5*0-200-A31-23	BMER-2-200-FS-FD1-S-R	5*0-300-W31-23	BMER-2-300-WS-FD1-S-R	5*0-540-A51-23	BMER-2-540-FS-FD1-S-R
5*0-200-A51-02	BMER-2-200-FS-SW-S-R	5*0-350-A31-02	BMER-2-350-FS-SW-S-R	5*0-540-W31-02	BMER-2-540-WS-SW-S-R
5*0-200-A51-10	BMER-2-200-FS-RW-S-R	5*0-350-A31-10	BMER-2-350-FS-RW-S-R	5*0-540-W31-10	BMER-2-540-WS-RW-S-R
5*0-200-A51-20	BMER-2-200-FS-G2-S-R	5*0-350-A31-20	BMER-2-350-FS-G2-S-R	5*0-540-W31-20	BMER-2-540-WS-G2-S-R
5*0-200-A51-22	BMER-2-200-FS-T4-S-R	5*0-350-A31-22	BMER-2-350-FS-T4-S-R	5*0-540-W31-22	BMER-2-540-WS-T4-S-R
5*0-200-A51-23	BMER-2-200-FS-FD1-S-R	5*0-350-A31-23	BMER-2-350-FS-FD1-S-R	5*0-540-W31-23	BMER-2-540-WS-FD1-S-R
5*0-200-W31-02	BMER-2-200-WS-SW-S-R	5*0-350-A51-02	BMER-2-350-FS-SW-S-R	5*0-750-A31-02	BMER-2-750-FS-SW-S-R
5*0-200-W31-10	BMER-2-200-WS-RW-S-R	5*0-350-A51-10	BMER-2-350-FS-RW-S-R	5*0-750-A31-10	BMER-2-750-FS-RW-S-R
5*0-200-W31-20	BMER-2-200-WS-G2-S-R	5*0-350-A51-20	BMER-2-350-FS-G2-S-R	5*0-750-A31-20	BMER-2-750-FS-G2-S-R
5*0-200-W31-22	BMER-2-200-WS-T4-S-R	5*0-350-A51-22	BMER-2-350-FS-T4-S-R	5*0-750-A31-22	BMER-2-750-FS-T4-S-R
5*0-200-W31-23	BMER-2-200-WS-FD1-S-R	5*0-350-A51-23	BMER-2-350-FS-FD1-S-R	5*0-750-A31-23	BMER-2-750-FS-FD1-S-R
5*0-230-A31-02	BMER-2-230-FS-SW-S-R	5*0-350-W31-02	BMER-2-350-WS-SW-S-R	5*0-750-A51-02	BMER-2-750-FS-SW-S-R
5*0-230-A31-10	BMER-2-230-FS-RW-S-R	5*0-350-W31-10	BMER-2-350-WS-RW-S-R	5*0-750-A51-10	BMER-2-750-FS-RW-S-R
5*0-230-A31-20	BMER-2-230-FS-G2-S-R	5*0-350-W31-20	BMER-2-350-WS-G2-S-R	5*0-750-A51-20	BMER-2-750-FS-G2-S-R
5*0-230-A31-22	BMER-2-230-FS-T4-S-R	5*0-350-W31-22	BMER-2-350-WS-T4-S-R	5*0-750-A51-22	BMER-2-750-FS-T4-S-R
5*0-230-A31-23	BMER-2-230-FS-FD1-S-R	5*0-350-W31-23	BMER-2-350-WS-FD1-S-R	5*0-750-A51-23	BMER-2-750-FS-FD1-S-R
5*0-230-A51-02	BMER-2-230-FS-SW-S-R	5*0-375-A31-02	BMER-2-375-FS-SW-S-R	5*0-750-W31-02	BMER-2-750-WS-SW-S-R
5*0-230-A51-10	BMER-2-230-FS-RW-S-R	5*0-375-A31-10	BMER-2-375-FS-RW-S-R	5*0-750-W31-10	BMER-2-750-WS-RW-S-R
5*0-230-A51-20	BMER-2-230-FS-G2-S-R	5*0-375-A31-20	BMER-2-375-FS-G2-S-R	5*0-750-W31-20	BMER-2-750-WS-G2-S-R
5*0-230-A51-22	BMER-2-230-FS-T4-S-R	5*0-375-A31-22	BMER-2-375-FS-T4-S-R	5*0-750-W31-22	BMER-2-750-WS-T4-S-R
5*0-230-A51-23	BMER-2-230-FS-FD1-S-R	5*0-375-A31-23	BMER-2-375-FS-FD1-S-R	5*0-750-W31-23	BMER-2-750-WS-FD1-S-R

# Crossover Reference - White Motors

## 501 Series & 531 Series

White Model #	Dynamic Model #	White Model #	Dynamic Model #	White Model #	Dynamic Model #
5*1-120-A31-02	BMER-2-125-FS-SW-S	5*1-230-W31-02	BMER-2-230-WS-SW-S	5*1-375-A51-02	BMER-2-375-FS-SW-S
5*1-120-A31-10	BMER-2-125-FS-RW-S	5*1-230-W31-10	BMER-2-230-WS-RW-S	5*1-375-A51-10	BMER-2-375-FS-RW-S
5*1-120-A31-20	BMER-2-125-FS-G2-S	5*1-230-W31-20	BMER-2-230-WS-G2-S	5*1-375-A51-20	BMER-2-375-FS-G2-S
5*1-120-A31-22	BMER-2-125-FS-T4-S	5*1-230-W31-22	BMER-2-230-WS-T4-S	5*1-375-A51-22	BMER-2-375-FS-T4-S
5*1-120-A31-23	BMER-2-125-FS-FD1-S	5*1-230-W31-23	BMER-2-230-WS-FD1-S	5*1-375-A51-23	BMER-2-375-FS-FD1-S
5*1-120-A51-02	BMER-2-125-FS-SW-S	5*1-260-A31-02	BMER-2-250-FS-SW-S	5*1-375-W31-02	BMER-2-375-WS-SW-S
5*1-120-A51-10	BMER-2-125-FS-RW-S	5*1-260-A31-10	BMER-2-250-FS-RW-S	5*1-375-W31-10	BMER-2-375-WS-RW-S
5*1-120-A51-20	BMER-2-125-FS-G2-S	5*1-260-A31-20	BMER-2-250-FS-G2-S	5*1-375-W31-20	BMER-2-375-WS-G2-S
5*1-120-A51-22	BMER-2-125-FS-T4-S	5*1-260-A31-22	BMER-2-250-FS-T4-S	5*1-375-W31-22	BMER-2-375-WS-T4-S
5*1-120-A51-23	BMER-2-125-FS-FD1-S	5*1-260-A31-23	BMER-2-250-FS-FD1-S	5*1-375-W31-23	BMER-2-375-WS-FD1-S
5*1-120-W31-02	BMER-2-125-WS-SW-S	5*1-260-A51-02	BMER-2-250-FS-SW-S	5*1-470-A31-02	BMER-2-475-FS-SW-S
5*1-120-W31-10	BMER-2-125-WS-RW-S	5*1-260-A51-10	BMER-2-250-FS-RW-S	5*1-470-A31-10	BMER-2-475-FS-RW-S
5*1-120-W31-20	BMER-2-125-WS-G2-S	5*1-260-A51-20	BMER-2-250-FS-G2-S	5*1-470-A31-20	BMER-2-475-FS-G2-S
5*1-120-W31-22	BMER-2-125-WS-T4-S	5*1-260-A51-22	BMER-2-250-FS-T4-S	5*1-470-A31-22	BMER-2-475-FS-T4-S
5*1-120-W31-23	BMER-2-125-WS-FD1-S	5*1-260-A51-23	BMER-2-250-FS-FD1-S	5*1-470-A31-23	BMER-2-475-FS-FD1-S
5*1-160-A31-02	BMER-2-160-FS-SW-S	5*1-260-W31-02	BMER-2-250-WS-SW-S	5*1-470-A51-02	BMER-2-475-FS-SW-S
5*1-160-A31-10	BMER-2-160-FS-RW-S	5*1-260-W31-10	BMER-2-250-WS-RW-S	5*1-470-A51-10	BMER-2-475-FS-RW-S
5*1-160-A31-20	BMER-2-160-FS-G2-S	5*1-260-W31-20	BMER-2-250-WS-G2-S	5*1-470-A51-20	BMER-2-475-FS-G2-S
5*1-160-A31-22	BMER-2-160-FS-T4-S	5*1-260-W31-22	BMER-2-250-WS-T4-S	5*1-470-A51-22	BMER-2-475-FS-T4-S
5*1-160-A31-23	BMER-2-160-FS-FD1-S	5*1-260-W31-23	BMER-2-250-WS-FD1-S	5*1-470-A51-23	BMER-2-475-FS-FD1-S
5*1-160-A51-02	BMER-2-160-FS-SW-S	5*1-300-A31-02	BMER-2-300-FS-SW-S	5*1-470-W31-02	BMER-2-475-WS-SW-S
5*1-160-A51-10	BMER-2-160-FS-RW-S	5*1-300-A31-10	BMER-2-300-FS-RW-S	5*1-470-W31-10	BMER-2-475-WS-RW-S
5*1-160-A51-20	BMER-2-160-FS-G2-S	5*1-300-A31-20	BMER-2-300-FS-G2-S	5*1-470-W31-20	BMER-2-475-WS-G2-S
5*1-160-A51-22	BMER-2-160-FS-T4-S	5*1-300-A31-22	BMER-2-300-FS-T4-S	5*1-470-W31-22	BMER-2-475-WS-T4-S
5*1-160-A51-23	BMER-2-160-FS-FD1-S	5*1-300-A31-23	BMER-2-300-FS-FD1-S	5*1-470-W31-23	BMER-2-475-WS-FD1-S
5*1-160-W31-02	BMER-2-160-WS-SW-S	5*1-300-A51-02	BMER-2-300-FS-SW-S	5*1-540-A31-02	BMER-2-540-FS-SW-S
5*1-160-W31-10	BMER-2-160-WS-RW-S	5*1-300-A51-10	BMER-2-300-FS-RW-S	5*1-540-A31-10	BMER-2-540-FS-RW-S
5*1-160-W31-20	BMER-2-160-WS-G2-S	5*1-300-A51-20	BMER-2-300-FS-G2-S	5*1-540-A31-20	BMER-2-540-FS-G2-S
5*1-160-W31-22	BMER-2-160-WS-T4-S	5*1-300-A51-22	BMER-2-300-FS-T4-S	5*1-540-A31-22	BMER-2-540-FS-T4-S
5*1-160-W31-23	BMER-2-160-WS-FD1-S	5*1-300-A51-23	BMER-2-300-FS-FD1-S	5*1-540-A31-23	BMER-2-540-FS-FD1-S
5*1-200-A31-02	BMER-2-200-FS-SW-S	5*1-300-W31-02	BMER-2-300-WS-SW-S	5*1-540-A51-02	BMER-2-540-FS-SW-S
5*1-200-A31-10	BMER-2-200-FS-RW-S	5*1-300-W31-10	BMER-2-300-WS-RW-S	5*1-540-A51-10	BMER-2-540-FS-RW-S
5*1-200-A31-20	BMER-2-200-FS-G2-S	5*1-300-W31-20	BMER-2-300-WS-G2-S	5*1-540-A51-20	BMER-2-540-FS-G2-S
5*1-200-A31-22	BMER-2-200-FS-T4-S	5*1-300-W31-22	BMER-2-300-WS-T4-S	5*1-540-A51-22	BMER-2-540-FS-T4-S
5*1-200-A31-23	BMER-2-200-FS-FD1-S	5*1-300-W31-23	BMER-2-300-WS-FD1-S	5*1-540-A51-23	BMER-2-540-FS-FD1-S
5*1-200-A51-02	BMER-2-200-FS-SW-S	5*1-350-A31-02	BMER-2-350-FS-SW-S	5*1-540-W31-02	BMER-2-540-WS-SW-S
5*1-200-A51-10	BMER-2-200-FS-RW-S	5*1-350-A31-10	BMER-2-350-FS-RW-S	5*1-540-W31-10	BMER-2-540-WS-RW-S
5*1-200-A51-20	BMER-2-200-FS-G2-S	5*1-350-A31-20	BMER-2-350-FS-G2-S	5*1-540-W31-20	BMER-2-540-WS-G2-S
5*1-200-A51-22	BMER-2-200-FS-T4-S	5*1-350-A31-22	BMER-2-350-FS-T4-S	5*1-540-W31-22	BMER-2-540-WS-T4-S
5*1-200-A51-23	BMER-2-200-FS-FD1-S	5*1-350-A31-23	BMER-2-350-FS-FD1-S	5*1-540-W31-23	BMER-2-540-WS-FD1-S
5*1-200-W31-02	BMER-2-200-WS-SW-S	5*1-350-A51-02	BMER-2-350-FS-SW-S	5*1-750-A31-02	BMER-2-750-FS-SW-S
5*1-200-W31-10	BMER-2-200-WS-RW-S	5*1-350-A51-10	BMER-2-350-FS-RW-S	5*1-750-A31-10	BMER-2-750-FS-RW-S
5*1-200-W31-20	BMER-2-200-WS-G2-S	5*1-350-A51-20	BMER-2-350-FS-G2-S	5*1-750-A31-20	BMER-2-750-FS-G2-S
5*1-200-W31-22	BMER-2-200-WS-T4-S	5*1-350-A51-22	BMER-2-350-FS-T4-S	5*1-750-A31-22	BMER-2-750-FS-T4-S
5*1-200-W31-23	BMER-2-200-WS-FD1-S	5*1-350-A51-23	BMER-2-350-FS-FD1-S	5*1-750-A31-23	BMER-2-750-FS-FD1-S
5*1-230-A31-02	BMER-2-230-FS-SW-S	5*1-350-W31-02	BMER-2-350-WS-SW-S	5*1-750-A51-02	BMER-2-750-FS-SW-S
5*1-230-A31-10	BMER-2-230-FS-RW-S	5*1-350-W31-10	BMER-2-350-WS-RW-S	5*1-750-A51-10	BMER-2-750-FS-RW-S
5*1-230-A31-20	BMER-2-230-FS-G2-S	5*1-350-W31-20	BMER-2-350-WS-G2-S	5*1-750-A51-20	BMER-2-750-FS-G2-S
5*1-230-A31-22	BMER-2-230-FS-T4-S	5*1-350-W31-22	BMER-2-350-WS-T4-S	5*1-750-A51-22	BMER-2-750-FS-T4-S
5*1-230-A31-23	BMER-2-230-FS-FD1-S	5*1-350-W31-23	BMER-2-350-WS-FD1-S	5*1-750-A51-23	BMER-2-750-FS-FD1-S
5*1-230-A51-02	BMER-2-230-FS-SW-S	5*1-375-A31-02	BMER-2-375-FS-SW-S	5*1-750-W31-02	BMER-2-750-WS-SW-S
5*1-230-A51-10	BMER-2-230-FS-RW-S	5*1-375-A31-10	BMER-2-375-FS-RW-S	5*1-750-W31-10	BMER-2-750-WS-RW-S
5*1-230-A51-20	BMER-2-230-FS-G2-S	5*1-375-A31-20	BMER-2-375-FS-G2-S	5*1-750-W31-20	BMER-2-750-WS-G2-S
5*1-230-A51-22	BMER-2-230-FS-T4-S	5*1-375-A31-22	BMER-2-375-FS-T4-S	5*1-750-W31-22	BMER-2-750-WS-T4-S
5*1-230-A51-23	BMER-2-230-FS-FD1-S	5*1-375-A31-23	BMER-2-375-FS-FD1-S	5*1-750-W31-23	BMER-2-750-WS-FD1-S

# Crossover Reference - White Motors

## 520 Series

White Model #	Dynamic Model #
520-120-A51-03	BMER-4-125-FS-SWE-S-R
520-120-A51-15	BMER-4-125-FS-RWE-S-R
520-120-A51-07	BMER-4-125-FS-G2E-S-R
520-120-A51-25	BMER-4-125-FS-T4E-S-R
520-120-A51-09	BMER-4-125-FS-FD1E-S-R
520-120-W31-03	BMER-4-125-WS-SWE-S-R
520-120-W31-15	BMER-4-125-WS-RWE-S-R
520-120-W31-07	BMER-4-125-WS-G2E-S-R
520-120-W31-25	BMER-4-125-WS-T4E-S-R
520-120-W31-09	BMER-4-125-WS-FD1E-S-R
520-160-A51-03	BMER-4-160-FS-SWE-S-R
520-160-A51-15	BMER-4-160-FS-RWE-S-R
520-160-A51-07	BMER-4-160-FS-G2E-S-R
520-160-A51-25	BMER-4-160-FS-T4E-S-R
520-160-A51-09	BMER-4-160-FS-FD1E-S-R
520-160-W31-03	BMER-4-160-WS-SWE-S-R
520-160-W31-15	BMER-4-160-WS-RWE-S-R
520-160-W31-07	BMER-4-160-WS-G2E-S-R
520-160-W31-25	BMER-4-160-WS-T4E-S-R
520-160-W31-09	BMER-4-160-WS-FD1E-S-R
520-200-A51-03	BMER-4-200-FS-SWE-S-R
520-200-A51-15	BMER-4-200-FS-RWE-S-R
520-200-A51-07	BMER-4-200-FS-G2E-S-R
520-200-A51-25	BMER-4-200-FS-T4E-S-R
520-200-A51-09	BMER-4-200-FS-FD1E-S-R
520-200-W31-03	BMER-4-200-WS-SWE-S-R
520-200-W31-15	BMER-4-200-WS-RWE-S-R
520-200-W31-07	BMER-4-200-WS-G2E-S-R
520-200-W31-25	BMER-4-200-WS-T4E-S-R
520-200-W31-09	BMER-4-200-WS-FD1E-S-R
520-230-A51-03	BMER-4-230-FS-SWE-S-R
520-230-A51-15	BMER-4-230-FS-RWE-S-R
520-230-A51-07	BMER-4-230-FS-G2E-S-R
520-230-A51-25	BMER-4-230-FS-T4E-S-R
520-230-A51-09	BMER-4-230-FS-FD1E-S-R
520-230-W31-03	BMER-4-230-WS-SWE-S-R
520-230-W31-15	BMER-4-230-WS-RWE-S-R
520-230-W31-07	BMER-4-230-WS-G2E-S-R
520-230-W31-25	BMER-4-230-WS-T4E-S-R
520-230-W31-09	BMER-4-230-WS-FD1E-S-R
520-260-A51-03	BMER-4-250-FS-SWE-S-R
520-260-A51-15	BMER-4-250-FS-RWE-S-R
520-260-A51-07	BMER-4-250-FS-G2E-S-R
520-260-A51-25	BMER-4-250-FS-T4E-S-R
520-260-A51-09	BMER-4-250-FS-FD1E-S-R
520-260-W31-03	BMER-4-250-WS-SWE-S-R
520-260-W31-15	BMER-4-250-WS-RWE-S-R
520-260-W31-07	BMER-4-250-WS-G2E-S-R
520-260-W31-25	BMER-4-250-WS-T4E-S-R
520-260-W31-09	BMER-4-250-WS-FD1E-S-R
520-300-A51-03	BMER-4-300-FS-SWE-S-R
520-300-A51-15	BMER-4-300-FS-RWE-S-R
520-300-A51-07	BMER-4-300-FS-G2E-S-R
520-300-A51-25	BMER-4-300-FS-T4E-S-R
520-300-A51-09	BMER-4-300-FS-FD1E-S-R

White Model #	Dynamic Model #
520-300-W31-03	BMER-4-300-WS-SWE-S-R
520-300-W31-15	BMER-4-300-WS-RWE-S-R
520-300-W31-07	BMER-4-300-WS-G2E-S-R
520-300-W31-25	BMER-4-300-WS-T4E-S-R
520-300-W31-09	BMER-4-300-WS-FD1E-S-R
520-350-A51-03	BMER-4-350-FS-SWE-S-R
520-350-A51-15	BMER-4-350-FS-RWE-S-R
520-350-A51-07	BMER-4-350-FS-G2E-S-R
520-350-A51-25	BMER-4-350-FS-T4E-S-R
520-350-A51-09	BMER-4-350-FS-FD1E-S-R
520-350-W31-03	BMER-4-350-WS-SWE-S-R
520-350-W31-15	BMER-4-350-WS-RWE-S-R
520-350-W31-07	BMER-4-350-WS-G2E-S-R
520-350-W31-25	BMER-4-350-WS-T4E-S-R
520-350-W31-09	BMER-4-350-WS-FD1E-S-R
520-375-A51-03	BMER-4-375-FS-SWE-S-R
520-375-A51-15	BMER-4-375-FS-RWE-S-R
520-375-A51-07	BMER-4-375-FS-G2E-S-R
520-375-A51-25	BMER-4-375-FS-T4E-S-R
520-375-A51-09	BMER-4-375-FS-FD1E-S-R
520-375-W31-03	BMER-4-375-WS-SWE-S-R
520-375-W31-15	BMER-4-375-WS-RWE-S-R
520-375-W31-07	BMER-4-375-WS-G2E-S-R
520-375-W31-25	BMER-4-375-WS-T4E-S-R
520-375-W31-09	BMER-4-375-WS-FD1E-S-R
520-470-A51-03	BMER-4-475-FS-SWE-S-R
520-470-A51-15	BMER-4-475-FS-RWE-S-R
520-470-A51-07	BMER-4-475-FS-G2E-S-R
520-470-A51-25	BMER-4-475-FS-T4E-S-R
520-470-A51-09	BMER-4-475-FS-FD1E-S-R
520-470-W31-03	BMER-4-475-WS-SWE-S-R
520-470-W31-15	BMER-4-475-WS-RWE-S-R
520-470-W31-07	BMER-4-475-WS-G2E-S-R
520-470-W31-25	BMER-4-475-WS-T4E-S-R
520-470-W31-09	BMER-4-475-WS-FD1E-S-R
520-540-A51-03	BMER-4-540-FS-SWE-S-R
520-540-A51-15	BMER-4-540-FS-RWE-S-R
520-540-A51-07	BMER-4-540-FS-G2E-S-R
520-540-A51-25	BMER-4-540-FS-T4E-S-R
520-540-A51-09	BMER-4-540-FS-FD1E-S-R
520-540-W31-03	BMER-4-540-WS-SWE-S-R
520-540-W31-15	BMER-4-540-WS-RWE-S-R
520-540-W31-07	BMER-4-540-WS-G2E-S-R
520-540-W31-25	BMER-4-540-WS-T4E-S-R
520-540-W31-09	BMER-4-540-WS-FD1E-S-R
520-750-A51-03	BMER-4-750-FS-SWE-S-R
520-750-A51-15	BMER-4-750-FS-RWE-S-R
520-750-A51-07	BMER-4-750-FS-G2E-S-R
520-750-A51-25	BMER-4-750-FS-T4E-S-R
520-750-A51-09	BMER-4-750-FS-FD1E-S-R
520-750-W31-03	BMER-4-750-WS-SWE-S-R
520-750-W31-15	BMER-4-750-WS-RWE-S-R
520-750-W31-07	BMER-4-750-WS-G2E-S-R
520-750-W31-25	BMER-4-750-WS-T4E-S-R
520-750-W31-09	BMER-4-750-WS-FD1E-S-R



# Crossover Reference - White Motors

## 521 Series

White Model #	Dynamic Model #
521-120-A51-03	BMER-4-125-FS-SWE-S
521-120-A51-15	BMER-4-125-FS-RWE-S
521-120-A51-07	BMER-4-125-FS-G2E-S
521-120-A51-25	BMER-4-125-FS-T4E-S
521-120-A51-09	BMER-4-125-FS-FD1E-S
521-120-W31-03	BMER-4-125-WS-SWE-S
521-120-W31-15	BMER-4-125-WS-RWE-S
521-120-W31-07	BMER-4-125-WS-G2E-S
521-120-W31-25	BMER-4-125-WS-T4E-S
521-120-W31-09	BMER-4-125-WS-FD1E-S
521-160-A51-03	BMER-4-160-FS-SWE-S
521-160-A51-15	BMER-4-160-FS-RWE-S
521-160-A51-07	BMER-4-160-FS-G2E-S
521-160-A51-25	BMER-4-160-FS-T4E-S
521-160-A51-09	BMER-4-160-FS-FD1E-S
521-160-W31-03	BMER-4-160-WS-SWE-S
521-160-W31-15	BMER-4-160-WS-RWE-S
521-160-W31-07	BMER-4-160-WS-G2E-S
521-160-W31-25	BMER-4-160-WS-T4E-S
521-160-W31-09	BMER-4-160-WS-FD1E-S
521-200-A51-03	BMER-4-200-FS-SWE-S
521-200-A51-15	BMER-4-200-FS-RWE-S
521-200-A51-07	BMER-4-200-FS-G2E-S
521-200-A51-25	BMER-4-200-FS-T4E-S
521-200-A51-09	BMER-4-200-FS-FD1E-S
521-200-W31-03	BMER-4-200-WS-SWE-S
521-200-W31-15	BMER-4-200-WS-RWE-S
521-200-W31-07	BMER-4-200-WS-G2E-S
521-200-W31-25	BMER-4-200-WS-T4E-S
521-200-W31-09	BMER-4-200-WS-FD1E-S
521-230-A51-03	BMER-4-230-FS-SWE-S
521-230-A51-15	BMER-4-230-FS-RWE-S
521-230-A51-07	BMER-4-230-FS-G2E-S
521-230-A51-25	BMER-4-230-FS-T4E-S
521-230-A51-09	BMER-4-230-FS-FD1E-S
521-230-W31-03	BMER-4-230-WS-SWE-S
521-230-W31-15	BMER-4-230-WS-RWE-S
521-230-W31-07	BMER-4-230-WS-G2E-S
521-230-W31-25	BMER-4-230-WS-T4E-S
521-230-W31-09	BMER-4-230-WS-FD1E-S
521-260-A51-03	BMER-4-250-FS-SWE-S
521-260-A51-15	BMER-4-250-FS-RWE-S
521-260-A51-07	BMER-4-250-FS-G2E-S
521-260-A51-25	BMER-4-250-FS-T4E-S
521-260-A51-09	BMER-4-250-FS-FD1E-S
521-260-W31-03	BMER-4-250-WS-SWE-S
521-260-W31-15	BMER-4-250-WS-RWE-S
521-260-W31-07	BMER-4-250-WS-G2E-S
521-260-W31-25	BMER-4-250-WS-T4E-S
521-260-W31-09	BMER-4-250-WS-FD1E-S
521-300-A51-03	BMER-4-300-FS-SWE-S
521-300-A51-15	BMER-4-300-FS-RWE-S
521-300-A51-07	BMER-4-300-FS-G2E-S
521-300-A51-25	BMER-4-300-FS-T4E-S
521-300-A51-09	BMER-4-300-FS-FD1E-S

White Model #	Dynamic Model #
521-300-W31-03	BMER-4-300-WS-SWE-S
521-300-W31-15	BMER-4-300-WS-RWE-S
521-300-W31-07	BMER-4-300-WS-G2E-S
521-300-W31-25	BMER-4-300-WS-T4E-S
521-300-W31-09	BMER-4-300-WS-FD1E-S
521-350-A51-03	BMER-4-350-FS-SWE-S
521-350-A51-15	BMER-4-350-FS-RWE-S
521-350-A51-07	BMER-4-350-FS-G2E-S
521-350-A51-25	BMER-4-350-FS-T4E-S
521-350-A51-09	BMER-4-350-FS-FD1E-S
521-350-W31-03	BMER-4-350-WS-SWE-S
521-350-W31-15	BMER-4-350-WS-RWE-S
521-350-W31-07	BMER-4-350-WS-G2E-S
521-350-W31-25	BMER-4-350-WS-T4E-S
521-350-W31-09	BMER-4-350-WS-FD1E-S
521-375-A51-03	BMER-4-375-FS-SWE-S
521-375-A51-15	BMER-4-375-FS-RWE-S
521-375-A51-07	BMER-4-375-FS-G2E-S
521-375-A51-25	BMER-4-375-FS-T4E-S
521-375-A51-09	BMER-4-375-FS-FD1E-S
521-375-W31-03	BMER-4-375-WS-SWE-S
521-375-W31-15	BMER-4-375-WS-RWE-S
521-375-W31-07	BMER-4-375-WS-G2E-S
521-375-W31-25	BMER-4-375-WS-T4E-S
521-375-W31-09	BMER-4-375-WS-FD1E-S
521-470-A51-03	BMER-4-475-FS-SWE-S
521-470-A51-15	BMER-4-475-FS-RWE-S
521-470-A51-07	BMER-4-475-FS-G2E-S
521-470-A51-25	BMER-4-475-FS-T4E-S
521-470-A51-09	BMER-4-475-FS-FD1E-S
521-470-W31-03	BMER-4-475-WS-SWE-S
521-470-W31-15	BMER-4-475-WS-RWE-S
521-470-W31-07	BMER-4-475-WS-G2E-S
521-470-W31-25	BMER-4-475-WS-T4E-S
521-470-W31-09	BMER-4-475-WS-FD1E-S
521-540-A51-03	BMER-4-540-FS-SWE-S
521-540-A51-15	BMER-4-540-FS-RWE-S
521-540-A51-07	BMER-4-540-FS-G2E-S
521-540-A51-25	BMER-4-540-FS-T4E-S
521-540-A51-09	BMER-4-540-FS-FD1E-S
521-540-W31-03	BMER-4-540-WS-SWE-S
521-540-W31-15	BMER-4-540-WS-RWE-S
521-540-W31-07	BMER-4-540-WS-G2E-S
521-540-W31-25	BMER-4-540-WS-T4E-S
521-540-W31-09	BMER-4-540-WS-FD1E-S
521-750-A51-03	BMER-4-750-FS-SWE-S
521-750-A51-15	BMER-4-750-FS-RWE-S
521-750-A51-07	BMER-4-750-FS-G2E-S
521-750-A51-25	BMER-4-750-FS-T4E-S
521-750-A51-09	BMER-4-750-FS-FD1E-S
521-750-W31-03	BMER-4-750-WS-SWE-S
521-750-W31-15	BMER-4-750-WS-RWE-S
521-750-W31-07	BMER-4-750-WS-G2E-S
521-750-W31-25	BMER-4-750-WS-T4E-S
521-750-W31-09	BMER-4-750-WS-FD1E-S



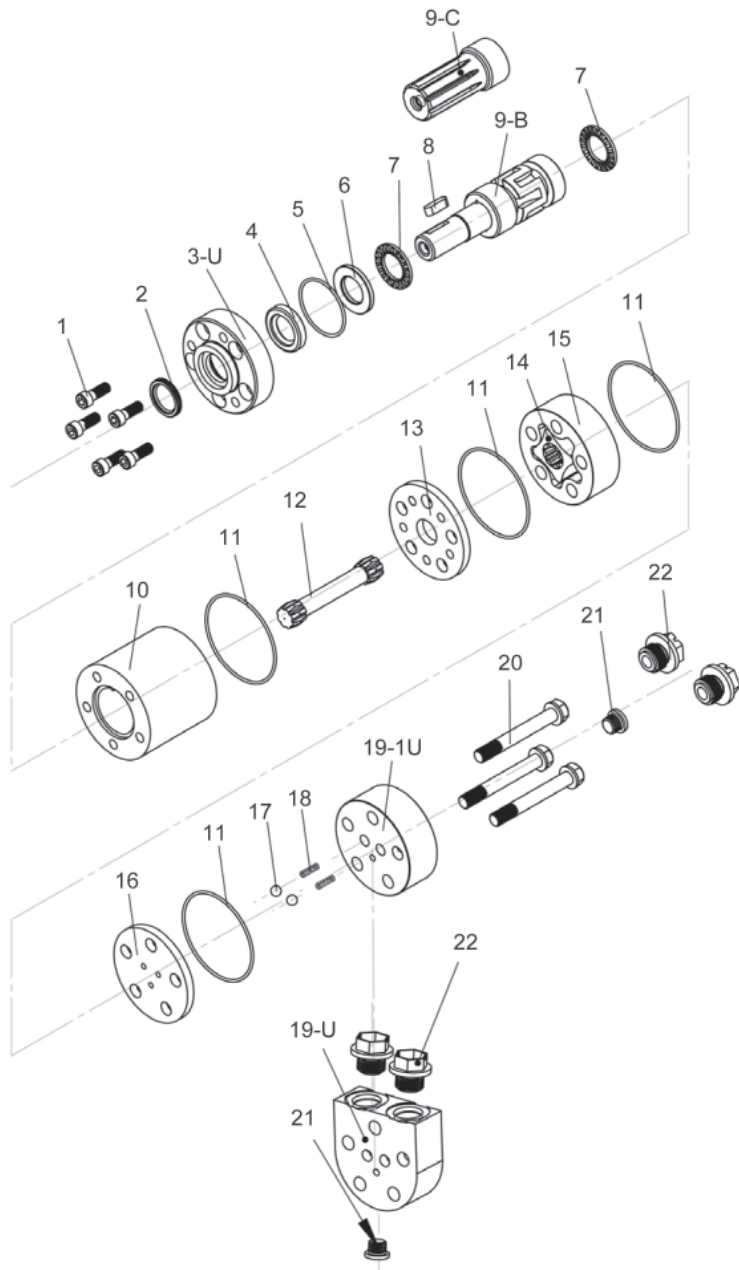
# Crossover Reference - Danfoss Motors

Danfoss Model #	Dynamic Model #	Danfoss Model #	Dynamic Model #	Danfoss Model #	Dynamic Model #	Danfoss Model #	Dynamic Model #
151-2000	BMPH-36 H2-K-S	151-2017	BMPH-250 H2-S-S	151-3444	BMPH-125 H4-K-S	151-2131	BMPH-50 H4-S-P
151-2001	BMPH-50 H2-K-S	151-2018	BMPH-315 H2-S-S	151-3445	BMPH-160 H4-K-S	151-2132	BMPH-80 H4-S-P
151-2002	BMPH-80 H2-K-S	151-2019	BMPH-400 H2-S-S	151-3446	BMPH-200 H4-K-S	151-2133	BMPH-100 H4-S-P
151-2003	BMPH-100 H2-K-S	151-3410	BMPH-36 H2-S-S	151-3447	BMPH-250 H4-K-S	151-2134	BMPH-125 H4-S-P
151-2004	BMPH-125 H2-K-S	151-3411	BMPH-50 H2-S-S	151-3448	BMPH-315 H4-K-S	151-2135	BMPH-160 H4-S-P
151-2005	BMPH-160 H2-K-S	151-3412	BMPH-80 H2-S-S	151-3449	BMPH-400 H4-K-S	151-2136	BMPH-200 H4-S-P
151-2006	BMPH-200 H2-K-S	151-3413	BMPH-100 H2-S-S	151-2120	BMPH-36 H4-K-P	151-2137	BMPH-250 H4-S-P
151-2007	BMPH-250 H2-K-S	151-3414	BMPH-125 H2-S-S	151-2121	BMPH-50 H4-K-P	151-2138	BMPH-315 H4-S-P
151-2008	BMPH-315 H2-K-S	151-3415	BMPH-160 H2-S-S	151-2122	BMPH-80 H4-K-P	151-2139	BMPH-400 H4-S-P
151-2009	BMPH-400 H2-K-S	151-3416	BMPH-200 H2-S-S	151-2123	BMPH-100 H4-K-P	151-2210	BMPH-36 H4-S-F
151-3400	BMPH-36 H2-K-S	151-3417	BMPH-250 H2-S-S	151-2124	BMPH-125 H4-K-P	151-2211	BMPH-50 H4-S-F
151-3401	BMPH-50 H2-K-S	151-3418	BMPH-315 H2-S-S	151-2125	BMPH-160 H4-K-P	151-2212	BMPH-80 H4-S-F
151-3402	BMPH-80 H2-K-S	151-3419	BMPH-400 H2-S-S	151-2126	BMPH-200 H4-K-P	151-2213	BMPH-100 H4-S-F
151-3403	BMPH-100 H2-K-S	151-2090	BMPH-36 H2-S-P	151-2127	BMPH-250 H4-K-P	151-2214	BMPH-125 H4-S-F
151-3404	BMPH-125 H2-K-S	151-2091	BMPH-50 H2-S-P	151-2128	BMPH-315 H4-K-P	151-2215	BMPH-160 H4-S-F
151-3405	BMPH-160 H2-K-S	151-2092	BMPH-80 H2-S-P	151-2129	BMPH-400 H4-K-P	151-2216	BMPH-200 H4-S-F
151-3406	BMPH-200 H2-K-S	151-2093	BMPH-100 H2-S-P	151-3520	BMPH-36 H4-K-P	151-2217	BMPH-250 H4-S-F
151-3407	BMPH-250 H2-K-S	151-2094	BMPH-125 H2-S-P	151-3521	BMPH-50 H4-K-P	151-2218	BMPH-315 H4-S-F
151-3408	BMPH-315 H2-K-S	151-2095	BMPH-160 H2-S-P	151-3522	BMPH-80 H4-K-P	151-2219	BMPH-400 H4-S-F
151-3409	BMPH-400 H2-K-S	151-2096	BMPH-200 H2-S-P	151-3523	BMPH-100 H4-K-P	151-2301	BMRS-50 H2-K-S
151-2080	BMPH-36 H2-K-P	151-2097	BMPH-250 H2-S-P	151-3524	BMPH-125 H4-K-P	151-2302	BMRS-80 H2-K-S
151-2081	BMPH-50 H2-K-P	151-2098	BMPH-315 H2-S-P	151-3525	BMPH-160 H4-K-P	151-2303	BMRS-100 H2-K-S
151-2082	BMPH-80 H2-K-P	151-2099	BMPH-400 H2-S-P	151-3526	BMPH-200 H4-K-P	151-2304	BMRS-125 H2-K-S
151-2083	BMPH-100 H2-K-P	151-2170	BMPH-36 H2-S-F	151-3527	BMPH-250 H4-K-P	151-2305	BMRS-160 H2-K-S
151-2084	BMPH-125 H2-K-P	151-2171	BMPH-50 H2-S-F	151-3528	BMPH-315 H4-K-P	151-2306	BMRS-200 H2-K-S
151-2085	BMPH-160 H2-K-P	151-2172	BMPH-80 H2-S-F	151-3529	BMPH-400 H4-K-P	151-2307	BMRS-250 H2-K-S
151-2086	BMPH-200 H2-K-P	151-2173	BMPH-100 H2-S-F	151-2200	BMPH-36 H4-K-F	151-2308	BMRS-315 H2-K-S
151-2087	BMPH-250 H2-K-P	151-2174	BMPH-125 H2-S-F	151-2201	BMPH-50 H4-K-F	151-2309	BMRS-375 H2-K-S
151-2088	BMPH-315 H2-K-P	151-2175	BMPH-160 H2-S-F	151-2202	BMPH-80 H4-K-F	151-3701	BMRS-50 H2-K-S
151-2089	BMPH-400 H2-K-P	151-2176	BMPH-200 H2-S-F	151-2203	BMPH-100 H4-K-F	151-3702	BMRS-80 H2-K-S
151-3480	BMPH-36 H2-K-P	151-2177	BMPH-250 H2-S-F	151-2204	BMPH-125 H4-K-F	151-3703	BMRS-100 H2-K-S
151-3481	BMPH-50 H2-K-P	151-2178	BMPH-315 H2-S-F	151-2205	BMPH-160 H4-K-F	151-3704	BMRS-125 H2-K-S
151-3482	BMPH-80 H2-K-P	151-2179	BMPH-400 H2-S-F	151-2206	BMPH-200 H4-K-F	151-3705	BMRS-160 H2-K-S
151-3483	BMPH-100 H2-K-P	151-3570	BMPH-36 H2-S-F	151-2207	BMPH-250 H4-K-F	151-3706	BMRS-200 H2-K-S
151-3484	BMPH-125 H2-K-P	151-3571	BMPH-50 H2-S-F	151-2208	BMPH-315 H4-K-F	151-3707	BMRS-250 H2-K-S
151-3485	BMPH-160 H2-K-P	151-3572	BMPH-80 H2-S-F	151-2209	BMPH-400 H4-K-F	151-3708	BMRS-315 H2-K-S
151-3486	BMPH-200 H2-K-P	151-3573	BMPH-100 H2-S-F	151-2050	BMPH-36 H4-S-S	151-3709	BMRS-375 H2-K-S
151-3487	BMPH-250 H2-K-P	151-3574	BMPH-125 H2-S-F	151-2051	BMPH-50 H4-S-S	151-2381	BMRS-50 H2-K-P
151-3488	BMPH-315 H2-K-P	151-3575	BMPH-160 H2-S-F	151-2052	BMPH-80 H4-S-S	151-2382	BMRS-80 H2-K-P
151-3489	BMPH-400 H2-K-P	151-3576	BMPH-200 H2-S-F	151-2053	BMPH-100 H4-S-S	151-2383	BMRS-100 H2-K-P
151-2160	BMPH-36 H2-K-F	151-3577	BMPH-250 H2-S-F	151-2054	BMPH-125 H4-S-S	151-2384	BMRS-125 H2-K-P
151-2161	BMPH-50 H2-K-F	151-3578	BMPH-315 H2-S-F	151-2055	BMPH-160 H4-S-S	151-2385	BMRS-160 H2-K-P
151-2162	BMPH-80 H2-K-F	151-3579	BMPH-400 H2-S-F	151-2056	BMPH-200 H4-S-S	151-2386	BMRS-200 H2-K-P
151-2163	BMPH-100 H2-K-F	151-2040	BMPH-36 H4-K-S	151-2057	BMPH-250 H4-S-S	151-2387	BMRS-250 H2-K-P
151-2164	BMPH-125 H2-K-F	151-2041	BMPH-50 H4-K-S	151-2058	BMPH-315 H4-S-S	151-2388	BMRS-315 H2-K-P
151-2165	BMPH-160 H2-K-F	151-2042	BMPH-80 H4-K-S	151-2059	BMPH-400 H4-S-S	151-2389	BMRS-375 H2-K-P
151-2166	BMPH-200 H2-K-F	151-2043	BMPH-100 H4-K-S	151-3450	BMPH-36 H4-S-S	151-3781	BMRS-50 H2-K-P
151-2167	BMPH-250 H2-K-F	151-2044	BMPH-125 H4-K-S	151-3451	BMPH-50 H4-S-S	151-3782	BMRS-80 H2-K-P
151-2168	BMPH-315 H2-K-F	151-2045	BMPH-160 H4-K-S	151-3452	BMPH-80 H4-S-S	151-3783	BMRS-100 H2-K-P
151-2169	BMPH-400 H2-K-F	151-2046	BMPH-200 H4-K-S	151-3453	BMPH-100 H4-S-S	151-3784	BMRS-125 H2-K-P
151-2010	BMPH-36 H2-S-S	151-2047	BMPH-250 H4-K-S	151-3454	BMPH-125 H4-S-S	151-3785	BMRS-160 H2-K-P
151-2011	BMPH-50 H2-S-S	151-2048	BMPH-315 H4-K-S	151-3455	BMPH-160 H4-S-S	151-3786	BMRS-200 H2-K-P
151-2012	BMPH-80 H2-S-S	151-2049	BMPH-400 H4-K-S	151-3456	BMPH-200 H4-S-S	151-3787	BMRS-250 H2-K-P
151-2013	BMPH-100 H2-S-S	151-3440	BMPH-36 H4-K-S	151-3457	BMPH-250 H4-S-S	151-3788	BMRS-315 H2-K-P
151-2014	BMPH-125 H2-S-S	151-3441	BMPH-50 H4-K-S	151-3458	BMPH-315 H4-S-S	151-3789	BMRS-375 H2-K-P
151-2015	BMPH-160 H2-S-S	151-3442	BMPH-80 H4-K-S	151-3459	BMPH-400 H4-S-S	151-2461	BMRS-50 H2-K-F
151-2016	BMPH-200 H2-S-S	151-3443	BMPH-100 H4-K-S	151-2130	BMPH-36 H4-S-P	151-2462	BMRS-80 H2-K-F

## Crossover Reference - Danfoss Motors

Danfoss Model #	Dynamic Model #	Danfoss Model #	Dynamic Model #	Danfoss Model #	Dynamic Model #	Danfoss Model #	Dynamic Model #
151-2463	BMRS-100 H2-K-F	151-3747	BMRS-250 H4-K-S	151F2202	BMSY-125 E4-G-S	151F2330	BMSY-315 E2-F-S
151-2464	BMRS-125 H2-K-F	151-3748	BMRS-315 H4-K-S	151F2203	BMSY-160 E4-G-S	151F2331	BMSY-400 E2-F-S
151-2465	BMRS-160 H2-K-F	151-3749	BMRS-375 H4-K-S	151F2204	BMSY-200 E4-G-S	151F2348	BMSY-475 E2-T4-S
151-2466	BMRS-200 H2-K-F	151-2421	BMRS-50 H4-K-P	151F2205	BMSY-250 E4-G-S	151F2332	BMSY-80 E2-T4-S
151-2467	BMRS-250 H2-K-F	151-2422	BMRS-80 H4-K-P	151F2206	BMSY-315 E4-G-S	151F2333	BMSY-100 E2-T4-S
151-2468	BMRS-315 H2-K-F	151-2423	BMRS-100 H4-K-P	151F2261	BMSY-400 E4-G-S	151F2334	BMSY-125 E2-T4-S
151-2469	BMRS-375 H2-K-F	151-2424	BMRS-125 H4-K-P	151F2268	BMSY-475 E4-G-S	151F2335	BMSY-160 E2-T4-S
151-2311	BMRS-50 H2-S-S	151-2425	BMRS-160 H4-K-P	151F2207	BMSY-80 E4-F-S	151F2336	BMSY-200 E2-T4-S
151-2312	BMRS-80 H2-S-S	151-2426	BMRS-200 H4-K-P	151F2208	BMSY-100 E4-F-S	151F2337	BMSY-250 E2-T4-S
151-2313	BMRS-100 H2-S-S	151-2427	BMRS-250 H4-K-P	151F2209	BMSY-125 E4-F-S	151F2338	BMSY-315 E2-T4-S
151-2314	BMRS-125 H2-S-S	151-2428	BMRS-315 H4-K-P	151F2210	BMSY-160 E4-F-S	151F2339	BMSY-400 E2-T4-S
151-2315	BMRS-160 H2-S-S	151-2429	BMRS-375 H4-K-P	151F2211	BMSY-200 E4-F-S	151F2349	BMSY-475 E2-T4-S
151-2316	BMRS-200 H2-S-S	151-3821	BMRS-50 H4-K-P	151F2212	BMSY-250 E4-F-S	151F2377	BMSY-80 F6-K-S
151-2317	BMRS-250 H2-S-S	151-3822	BMRS-80 H4-K-P	151F2213	BMSY-315 E4-F-S	151F2378	BMSY-100 F6-K-S
151-2318	BMRS-315 H2-S-S	151-3823	BMRS-100 H4-K-P	151F2262	BMSY-400 E4-F-S	151F2379	BMSY-125 F6-K-S
151-2319	BMRS-375 H2-S-S	151-3824	BMRS-125 H4-K-P	151F2269	BMSY-475 E4-F-S	151F2380	BMSY-160 F6-K-S
151-3711	BMRS-50 H2-S-S	151-3825	BMRS-160 H4-K-P	151F2214	BMSY-80 E4-T4-S	151F2381	BMSY-200 F6-K-S
151-3712	BMRS-80 H2-S-S	151-3826	BMRS-200 H4-K-P	151F2215	BMSY-100 E4-T4-S	151F2382	BMSY-250 F6-K-S
151-3713	BMRS-100 H2-S-S	151-3827	BMRS-250 H4-K-P	151F2216	BMSY-125 E4-T4-S	151F2383	BMSY-315 F6-K-S
151-3714	BMRS-125 H2-S-S	151-3828	BMRS-315 H4-K-P	151F2217	BMSY-160 E4-T4-S	151F2384	BMSY-400 F6-K-S
151-3715	BMRS-160 H2-S-S	151-3829	BMRS-375 H4-K-P	151F2218	BMSY-200 E4-T4-S	151F2385	BMSY-475 F6-K-S
151-3716	BMRS-200 H2-S-S	151-2501	BMRS-50 H4-K-F	151F2219	BMSY-250 E4-T4-S	151F2368	BMSY-80 F6-G-S
151-3717	BMRS-250 H2-S-S	151-2502	BMRS-80 H4-K-F	151F2220	BMSY-315 E4-T4-S	151F2369	BMSY-100 F6-G-S
151-3718	BMRS-315 H2-S-S	151-2503	BMRS-100 H4-K-F	151F2264	BMSY-400 E4-T4-S	151F2370	BMSY-125 F6-G-S
151-3719	BMRS-375 H2-S-S	151-2504	BMRS-125 H4-K-F	151F2270	BMSY-475 E4-T4-S	151F2371	BMSY-160 F6-G-S
151-2391	BMRS-50 H2-S-P	151-2505	BMRS-160 H4-K-F	151F2300	BMSY-80 E2-K-S	151F2372	BMSY-200 F6-G-S
151-2392	BMRS-80 H2-S-P	151-2506	BMRS-200 H4-K-F	151F2301	BMSY-100 E2-K-S	151F2373	BMSY-250 F6-G-S
151-2393	BMRS-100 H2-S-P	151-2507	BMRS-250 H4-K-F	151F2302	BMSY-125 E2-K-S	151F2374	BMSY-315 F6-G-S
151-2394	BMRS-125 H2-S-P	151-2508	BMRS-315 H4-K-F	151F2303	BMSY-160 E2-K-S	151F2375	BMSY-400 F6-G-S
151-2395	BMRS-160 H2-S-P	151-2509	BMRS-375 H4-K-F	151F2304	BMSY-200 E2-K-S	151F2376	BMSY-475 F6-G-S
151-2396	BMRS-200 H2-S-P	151-2351	BMRS-50 H4-S-S	151F2305	BMSY-250 E2-K-S	151F2359	BMSY-80 F6-S1-S
151-2397	BMRS-250 H2-S-P	151-2352	BMRS-80 H4-S-S	151F2306	BMSY-315 E2-K-S	151F2360	BMSY-100 F6-S1-S
151-2398	BMRS-315 H2-S-P	151-2353	BMRS-100 H4-S-S	151F2307	BMSY-400 E2-K-S	151F2361	BMSY-125 F6-S1-S
151-2399	BMRS-375 H2-S-P	151-2354	BMRS-125 H4-S-S	151F2345	BMSY-475 E2-K-S	151F2362	BMSY-160 F6-S1-S
151-2471	BMRS-50 H2-S-F	151-2355	BMRS-160 H4-S-S	151F2316	BMSY-80 E2-G-S	151F2363	BMSY-200 F6-S1-S
151-2472	BMRS-80 H2-S-F	151-2356	BMRS-200 H4-S-S	151F2317	BMSY-100 E2-G-S	151F2364	BMSY-250 F6-S1-S
151-2473	BMRS-100 H2-S-F	151-2357	BMRS-250 H4-S-S	151F2318	BMSY-125 E2-G-S	151F2365	BMSY-315 F6-S1-S
151-2474	BMRS-125 H2-S-F	151-2358	BMRS-315 H4-S-S	151F2319	BMSY-160 E2-G-S	151F2366	BMSY-400 F6-S1-S
151-2475	BMRS-160 H2-S-F	151-2359	BMRS-375 H4-S-S	151F2320	BMSY-200 E2-G-S	151F2367	BMSY-475 F6-S1-S
151-2476	BMRS-200 H2-S-F	151-2431	BMRS-50 H4-S-P	151F2321	BMSY-250 E2-G-S	151F2350	BMSY-80 F6-F-S
151-2477	BMRS-250 H2-S-F	151-2432	BMRS-80 H4-S-P	151F2322	BMSY-315 E2-G-S	151F2351	BMSY-100 F6-F-S
151-2478	BMRS-315 H2-S-F	151-2433	BMRS-100 H4-S-P	151F2323	BMSY-400 E2-G-S	151F2352	BMSY-125 F6-F-S
151-2479	BMRS-375 H2-S-F	151-2434	BMRS-125 H4-S-P	151F2347	BMSY-475 E2-G-S	151F2353	BMSY-160 F6-F-S
151-2341	BMRS-50 H4-K-S	151-2435	BMRS-160 H4-S-P	151F2308	BMSY-80 E2-S1-S	151F2354	BMSY-200 F6-F-S
151-2342	BMRS-80 H4-K-S	151-2436	BMRS-200 H4-S-P	151F2309	BMSY-100 E2-S1-S	151F2355	BMSY-250 F6-F-S
151-2343	BMRS-100 H4-K-S	151-2437	BMRS-250 H4-S-P	151F2310	BMSY-125 E2-S1-S	151F2356	BMSY-315 F6-F-S
151-2344	BMRS-125 H4-K-S	151-2438	BMRS-315 H4-S-P	151F2311	BMSY-160 E2-S1-S	151F2357	BMSY-400 F6-F-S
151-2345	BMRS-160 H4-K-S	151-2439	BMRS-375 H4-S-P	151F2312	BMSY-200 E2-S1-S	151F2358	BMSY-475 F6-F-S
151-2346	BMRS-200 H4-K-S	151-2511	BMRS-50 H4-S-F	151F2313	BMSY-250 E2-S1-S	151G0048	BMM-8 U-B-1U
151-2347	BMRS-250 H4-K-S	151-2512	BMRS-80 H4-S-F	151F2314	BMSY-315 E2-S1-S	151G0031	BMM-12.5 U-B-1U
151-2348	BMRS-315 H4-K-S	151-2513	BMRS-100 H4-S-F	151F2315	BMSY-400 E2-S1-S	151G0032	BMM-20 U-B-1U
151-2349	BMRS-375 H4-K-S	151-2514	BMRS-125 H4-S-F	151F2346	BMSY-475 E2-S1-S	151G0033	BMM-32 U-B-1U
151-3741	BMRS-50 H4-K-S	151-2515	BMRS-160 H4-S-F	151F2324	BMSY-80 E2-F-S	151G0049	BMM-8 U-B-U
151-3742	BMRS-80 H4-K-S	151-2516	BMRS-200 H4-S-F	151F2325	BMSY-100 E2-F-S	151G0034	BMM-12.5 U-B-U
151-3743	BMRS-100 H4-K-S	151-2517	BMRS-250 H4-S-F	151F2326	BMSY-125 E2-F-S	151G0035	BMM-20 U-B-U
151-3744	BMRS-125 H4-K-S	151-2518	BMRS-315 H4-S-F	151F2327	BMSY-160 E2-F-S	151G0036	BMM-32 U-B-U
151-3745	BMRS-160 H4-K-S	151F2200	BMSY-80 E4-G-S	151F2328	BMSY-200 E2-F-S	151G0036	BMM-32 U-B-U
151-3746	BMRS-200 H4-K-S	151F2201	BMSY-100 E4-G-S	151F2329	BMSY-250 E2-F-S	151G0094	BMM-50 U-B-U

# BMM Motor - Parts Assembly Diagram



## BMM Motor - Parts Listing

#	Part Description	Qty per Motor
1	Screw	5
2	Dust Seal	1
3	Front Cover U: Circle Flange F: 2-Bolt	1
4	Shaft Seal	1
5	"O" Ring	1
6	Thrust Washer	1
7	Axial Needle Bearing	2
8	Key	1
9	Shaft B: 5/8" Straight Key C: 9-Tooth Spline	1
10	Housing	1
11	"O" Ring	4
12	Drive Link	1
13	Front Distributor	1
14	Stator	1
15	Rotor	1
16	End Distributor	1
17	Ball	2
18	Spring	2
19	End Cover U: Back Ports 1U: Side Ports	1
20	Screw	3
21	Drain Plug	1
22	Plug	1

## Seal Kit Contents

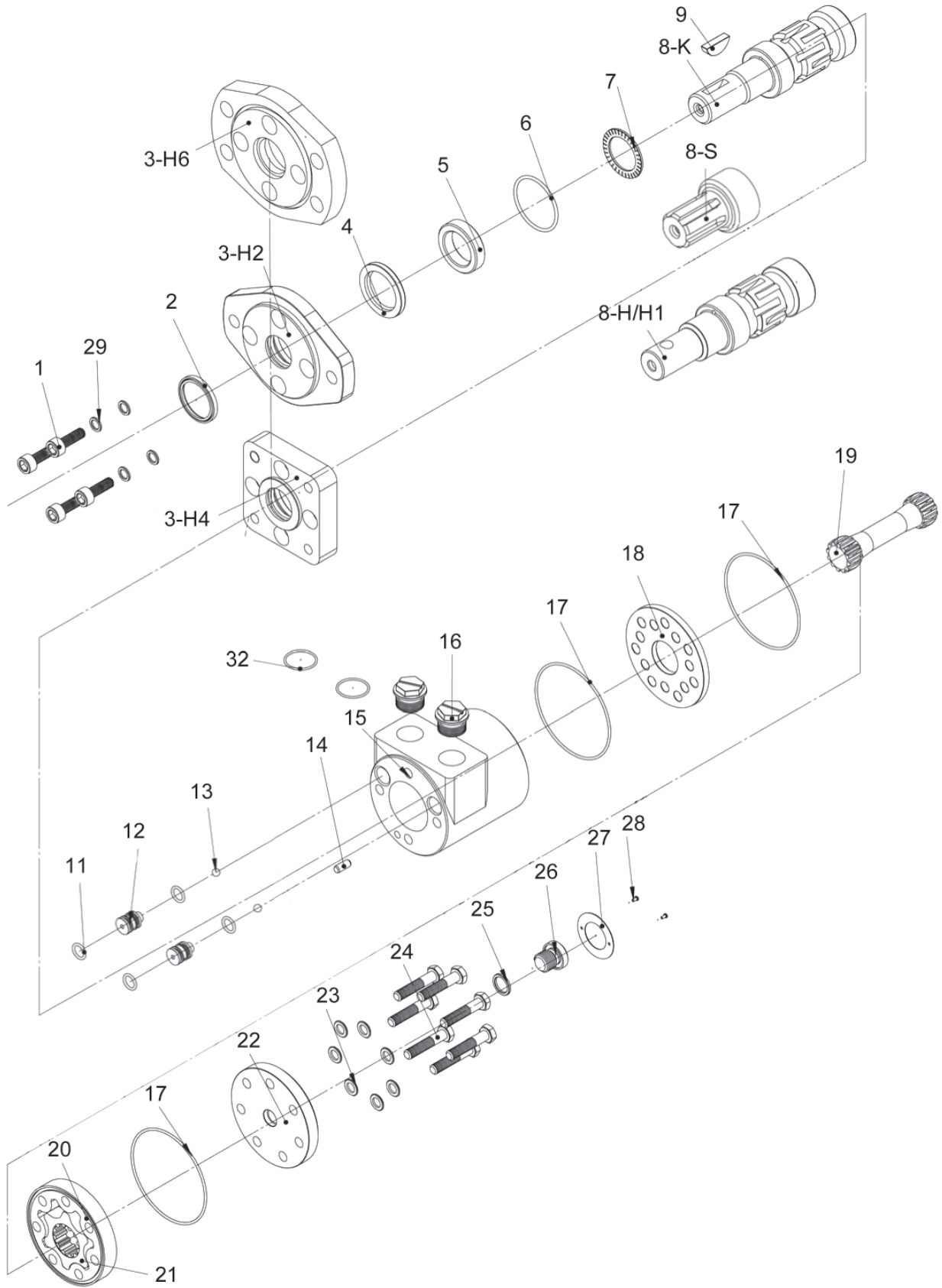
#	Part Description	Qty per Motor
2	Dust Seal	1
4	Shaft Seal	1
5	"O" Ring	1
11	"O" Ring	4

## Tightening Torques

	Tightening (ft. lbs)
Displacement End	25
Flange End	12

Parts diagrams are provided for reference only. If a unit is disassembled, repaired or modified in any way by anyone other than Dynamic Fluid Components, the warranty is no longer valid.

# BMPH Motor - Parts Assembly Diagram



## BMPH Motor - Parts Listing

#	Part Description	Qty per Motor
1	Screws	4
2	Dust Seal	1
3	Front Cover H2: SAE "A" 2-Bolt H4: SAE "A" 4-Bolt H6: Magneto	1
4	Shaft Seal	1
5	Thrust Washer	1
6	"O" Ring	1
7	Axial Needle Bearing	2
8	Shaft K: 1" Woodruff Key H: 1" Parallel .40 dia. Cross Hole H1: 1" Parallel .31 dia. Cross Hole S: SAE 6B Spline	1
9	Parallel Key	0-1
11	"O" Ring	4
12	Check Valves	2
13	Balls	2
14	Pin	1
15	Housing	1
16	Plug	2
17	"O" Ring	3
18	Distributor Plate	1
19	Drive Link	1
20	Stator	1
21	Rotor	1
22	End Cover	1
23	Washers	7
24	Screws	7
25	Washer	1
26	Drain Plug	1
27	Name Plate	1
28	Rivet	2
29	Washers	4
32	"O" Rings	2

## Seal Kit Contents

#	Part Description	Qty per Motor
2	Dust Seal	1
4	Shaft Seal	1
6	"O" Ring	1
11	"O" Ring	4
17	"O" Ring	3

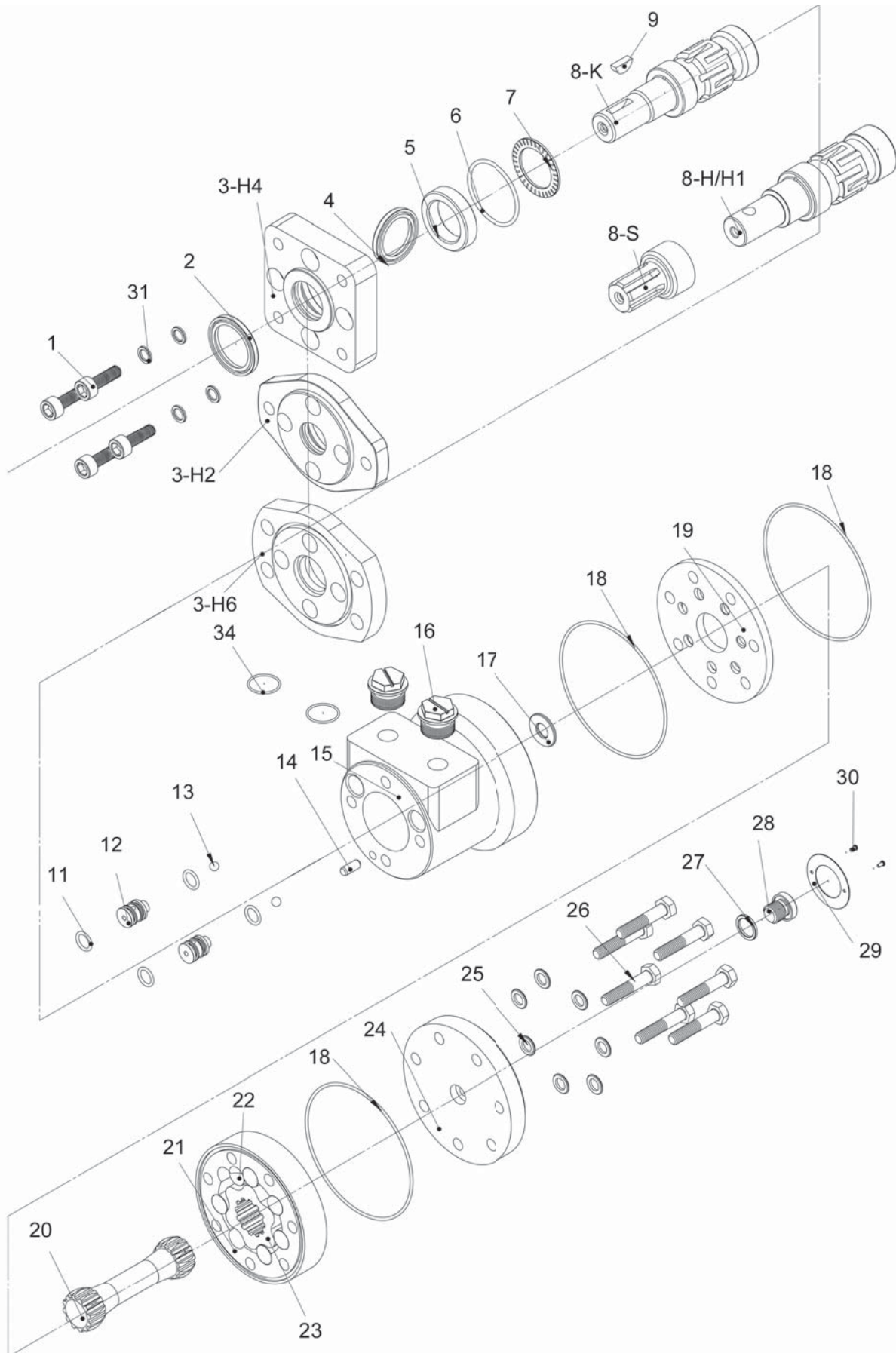
## Tightening Torques

	Tightening (ft. lbs)
Displacement End	30
Flange End	40

Parts diagrams are provided for reference only. If a unit is disassembled, repaired or modified in any way by anyone other than Dynamic Fluid Components, the warranty is no longer valid.



# BMRS Motor - Parts Assembly Diagram



## BMRS Motor - Parts Listing

#	Part Description	Qty per Motor
1	Screw	4
2	Dust Seal	1
3	Front Cover H2: SAE "A" 2-Bolt H4: SAE "A" 4-Bolt H6: Magneto	1
4	Shaft Seal	1
5	Thrust Washer	1
6	"O" Ring	1
7	Axial Needle Bearing	2
8	Shaft K: 1" Woodruff Key H: 1" Parallel .40 dia. Cross Hole H1: 1" Parallel .31 dia. Cross Hole S: SAE 6B Spline	1
9	Parallel Key	0-1
11	"O" Ring	4
12	Check Valves	2
13	Balls	2
14	Pin	1
15	Housing	1
16	Plug	2
17	Washer	1
18	"O" Ring	3
19	Distributor Plate	1
20	Drive Link	1
21	Stator	1
22	Roller	1
23	Rotor	1
24	End Cover	1
25	Washer	7
26	Screw	7
27	Washer	1
28	Drain Plug	1
29	Name Plate	1
30	Rivet	2
31	Washer	4
34	"O" Ring	2

## Seal Kit Contents

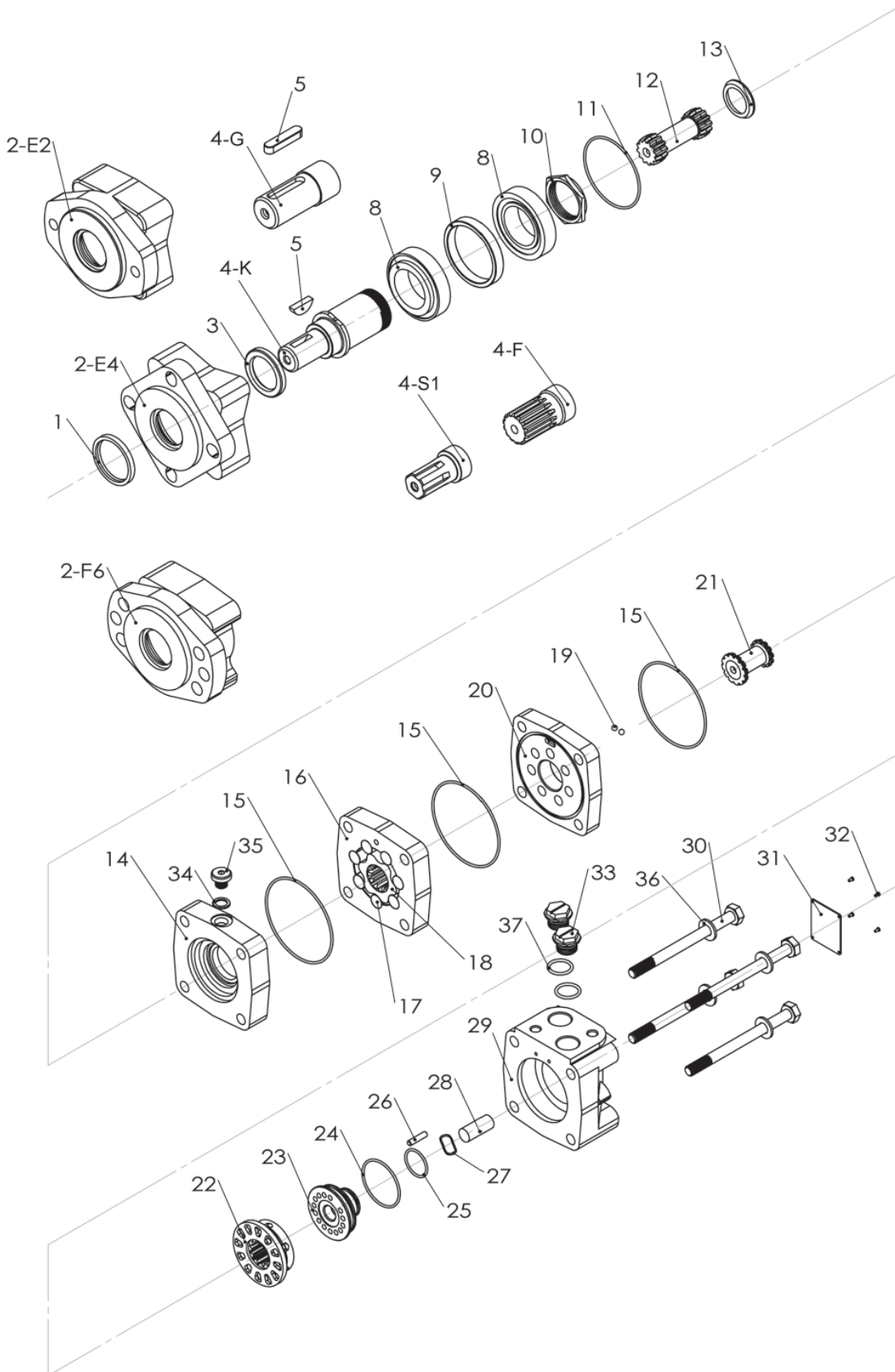
#	Part Description	Qty per Motor
2	Dust Seal	1
4	Shaft Seal	1
6	"O" Ring	1
11	"O" Ring	4
18	"O" Ring	3

## Tightening Torques

	Tightening (ft. lbs)
Displacement End	30
Flange End	40

Parts diagrams are provided for reference only. If a unit is disassembled, repaired or modified in any way by anyone other than Dynamic Fluid Components, the warranty is no longer valid.

# BMSY Motor - Parts Assembly Diagram



## BMSY Motor - Parts Listing

#	Part Description	Qty per Motor
1	Dust Seal	1
2	Housing E2: SAE "A" 2-Bolt E4: SAE "A" 4-Bolt F6: Magneto WE: Wheel Mount	1
3	Shaft Seal	1
4	Shaft K: 1" Woodruff Key G: 1 1/4" Parallel Key S1: SAE 6B Spline F: 1 1/4" 14-tooth DP Spline SL: 6 Spline PTO	1
5	Key	0-1
8	Needle Bearing	2
9	Spacer Bushing	1
10	Lock Nut	1
11	"O" Ring	1
12	Drive Link	1
13	Butterfly Washer	1
14	Intermediate Plate	1
15	"O" Ring	2
16	Stator	1
17	Roller	1
18	Rotor	1
19	Ball	2
20	Balance Plate	1
21	Coupling	1
22	Distributor Plate	1
23	Channel Plate	1
24	"O" Ring	1
25	"O" Ring	1
26	Pin	1
27	Spring	1
28	Spacer	1
29	End Cover	1
30	Screw	4
31	Name Plate	1
32	Rivet	4
33	Plug	2
34	Washer	1
35	Drain Plug	1
36	Washer	4

## Seal Kit Contents

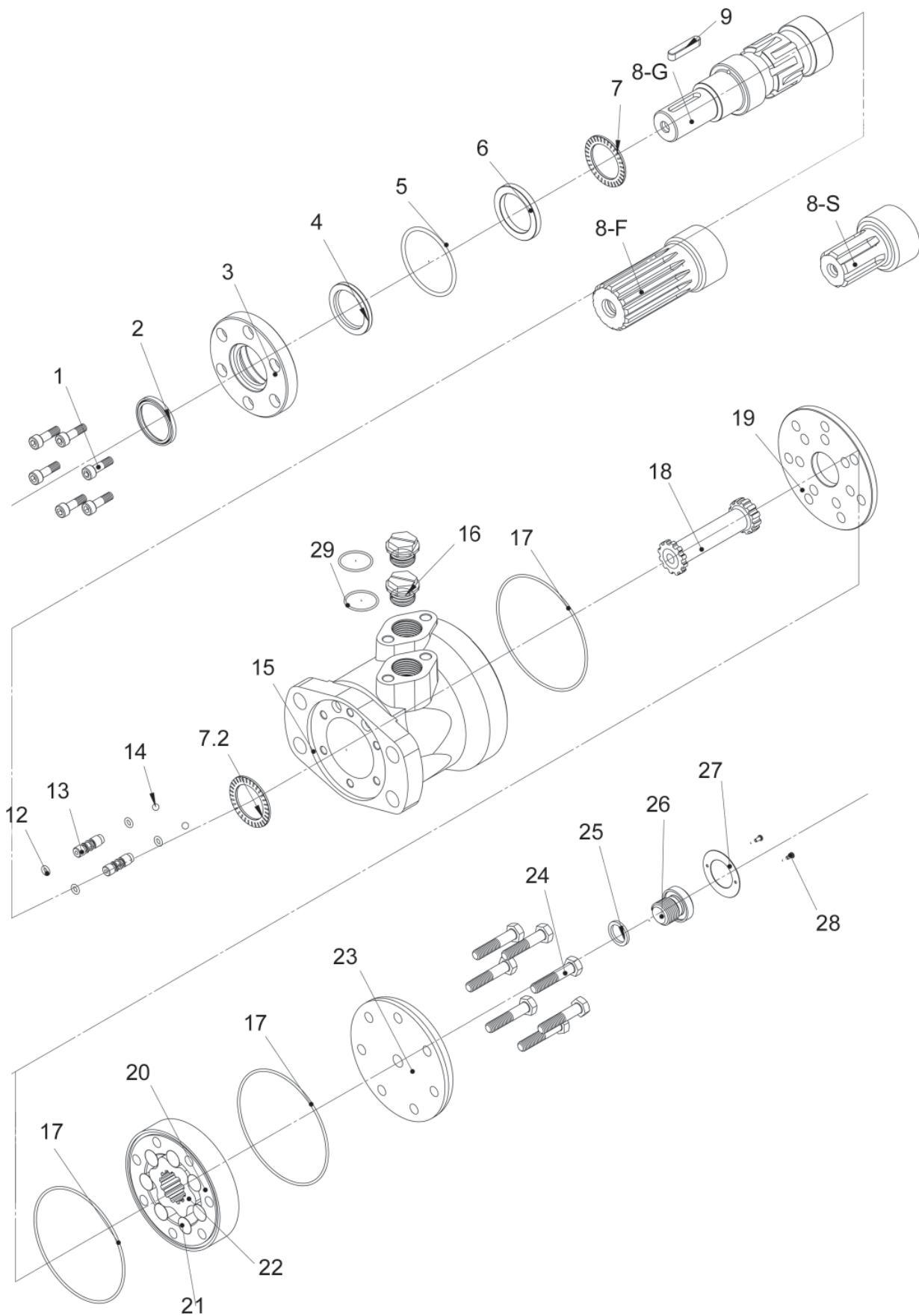
#	Part Description	Qty per Motor
1	Dust Seal	1
3	Shaft Seal	1
11	"O" Ring	1
15	"O" Ring	3
24	"O" Ring	1
25	"O" Ring	1
34	"O" Ring	2

## Tightening Torques

	Tightening (ft. lbs)
Displacement End	60
Flange End	N/A

Parts diagrams are provided for reference only. If a unit is disassembled, repaired or modified in any way by anyone other than Dynamic Fluid Components, the warranty is no longer valid.

# BMH Motor - Parts Assembly Diagram





## BMH Motor - Parts Listing

#	Part Description	Qty per Motor
1	Screw	6
2	Dust Seal	1
3	Front Cover	1
4	Shaft Seal	1
5	"O" Ring	1
6	Thrust Washer	1
7	Axial Needle Bearing	1-2
8	Shaft G: 1 1/4" Parallel Key F: 1 1/4" 14-Tooth DP Spline S: SAE 6B Spline	1
9	Key	0-1
12	"O" Ring	4
13	Check Valve	2
14	Ball	2
15	Housing	1
16	Plug	2
17	"O" Ring	3
18	Drive Link	1
19	Distributor Plate	1
20	Stator	1
21	Roller	1
22	Rotor	1
23	End Cover	1
24	Screw	7
25	Washer	1
26	Drain Plug	1
27	Name Plate	1
28	Rivet	2
29	"O" Ring	2

## Seal Kit Contents

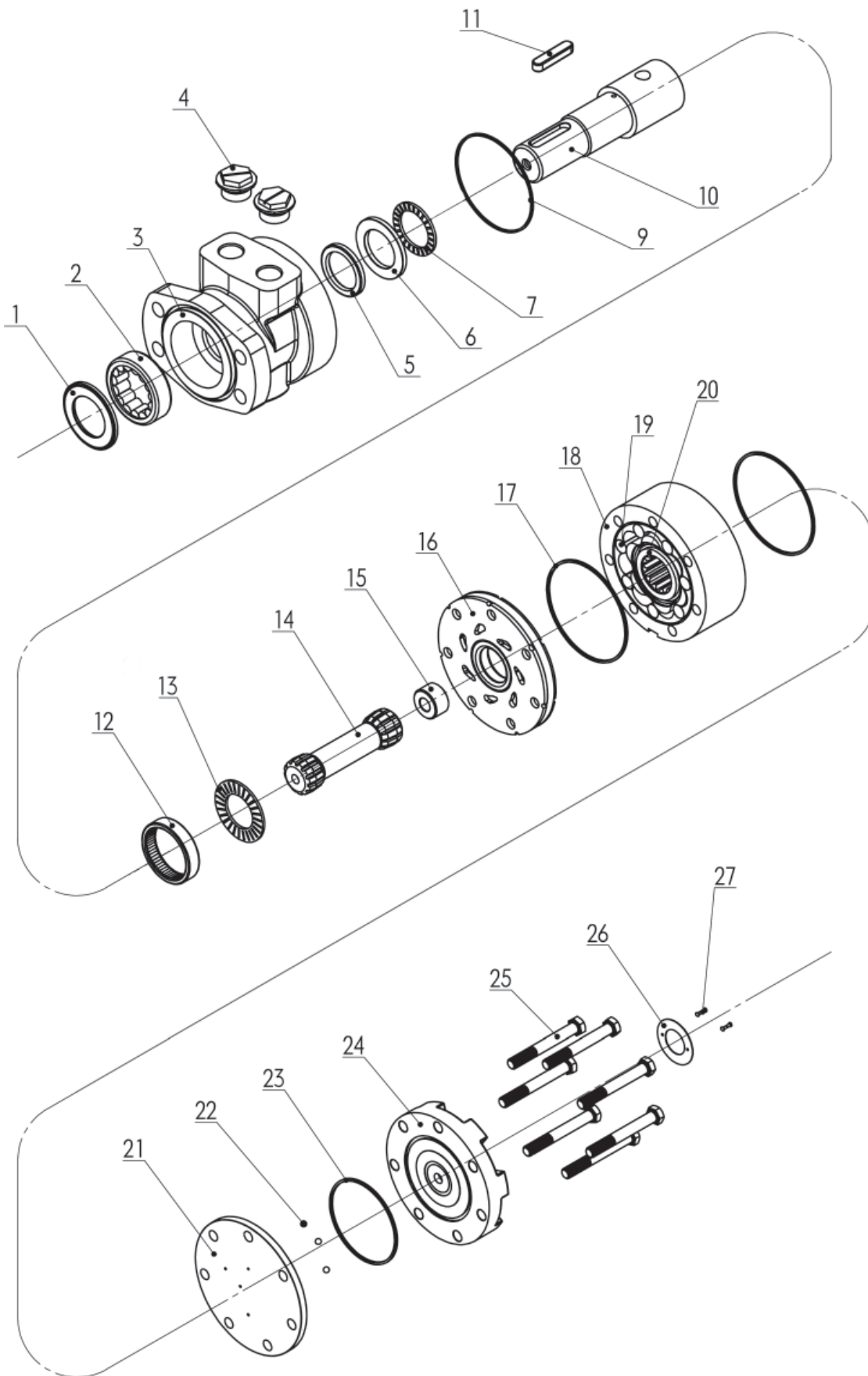
#	Part Description	Qty per Motor
2	Dust Seal	1
4	Shaft Seal	1
5	"O" Ring	1
12	"O" Ring	4
17	"O" Ring	3

## Tightening Torques

	Tightening (ft. lbs)
Displacement End	40
Flange End	12

Parts diagrams are provided for reference only. If a unit is disassembled, repaired or modified in any way by anyone other than Dynamic Fluid Components, the warranty is no longer valid.

# BMER-2 Motor - Parts Assembly Diagram



## BMER-2 Motor - Parts Listing

#	Part Description	Qty per Motor
1	Dust Seal	1
2	Needle Bearing	1
3	Housing FS: Magneto Mount WS: Wheel Mount	1
4	Plugs	1
5	Shaft Seal	
6	Thrust Washer	1
7	Axial Needle Bearing	1
9	Housing Seal Ring	1
10	Shaft FD1: 14-Tooth Spline G2: 1 1/4" Keyed RW: 1" Keyed SW: 6B Spline T4: 1 1/4" Tapered G32: 1 1/2" Keyed T31: 1 1/2" Tapered	1
11	Key	1
12	Needle Bearing	1
13	Axial Needle Bearing	1
14	Drive Link	1
15	Washer	1
16	Manifold Plate	1
17	Plate Seal Ring	2
18	Stator	7
19	Roller	1
20	Rotor	1
21	Balance Plate	1
22	Ball	3
23	Plate Seal Ring	1
24	End Cover	1
25	Screw	7
26	Name Plate	1
27	Rivet	1

## Seal Kit Contents

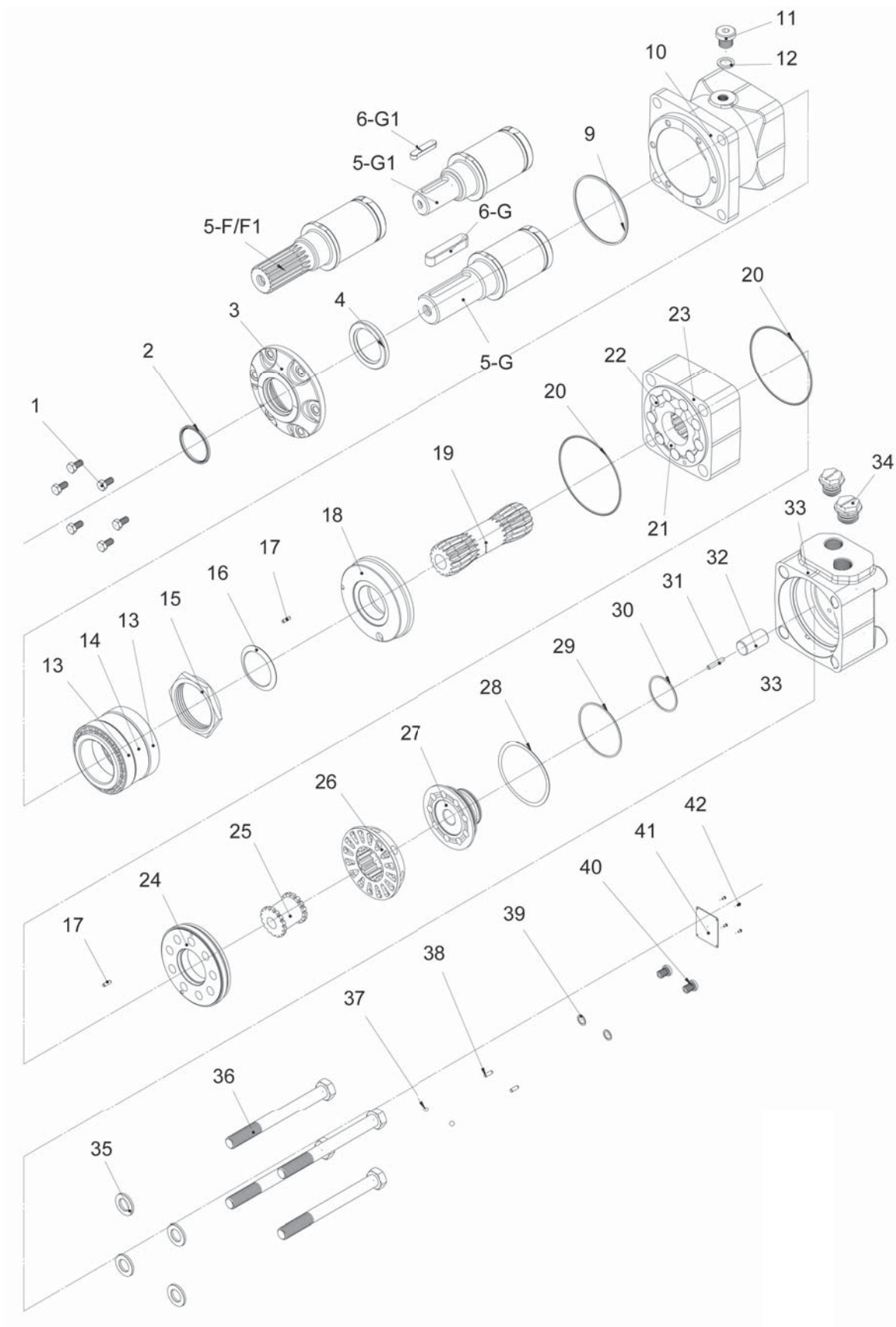
#	Part Description	Qty per Motor
1	Dust Seal	1
9	Housing Seal Ring	1
5	Shaft Seal	1
17	Plate Seal Ring	2
23	Plate Seal Ring	1

## Tightening Torques

	Tightening (ft. lbs)
Displacement End	40
Flange End	N/A

Parts diagrams are provided for reference only. If a unit is disassembled, repaired or modified in any way by anyone other than Dynamic Fluid Components, the warranty is no longer valid.

# BMT Motor - Parts Assembly Diagram



## BMT Motor - Parts Listing

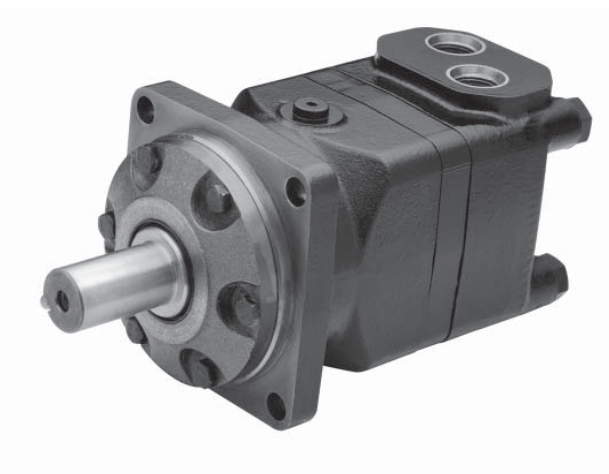
#	Part Description	Qty per Motor
1	Screw	6
2	Dust Seal	1
3	Front Cover	1
4	Shaft Seal	1
5	Shaft: F: 1 1/4" 14-tooth DP Spline F1: 1 1/2" 17-tooth DP Spline G: 1 1/2" Parallel Key G1: 1 1/4" Parallel Key	1
8	Washer	1
9	"O" Ring	1
10	Housing	1
11	Drain Plug	1
12	Washer	1
13	Needle Bearing	2
14	Spacer Bushing	1
15	Lock Nut	1
16	Butterfly Washer	1
17	Pin	1
18	Intermediate Plate	1
19	Drive Link	1
20	"O" Ring	2
21	Rotor	1
22	Roller	9
23	Stator	1
24	Balance Plate	1
25	Coupling	1
26	Distributor Plate	1
27	Channel Plate	1
28	Spring	1
29	"O" Ring	1
30	"O" Ring	1
31	Pin	1
32	Spacer	1
33	End Cover	1
34	Plug	2
35	Washer	4
36	Screw	4
37	Ball	2
38	Spring	2
39	Washer	2
40	Drain Plug	2
41	Name Plate	1
42	Rivet	4
43	Spacer	1

## Seal Kit Contents

#	Part Description	Qty per Motor
2	Dust Seal	1
4	Shaft Seal	1
9	"O" Ring	1
20	"O" Ring	2
29	"O" Ring	1
30	"O" Ring	1

## Tightening Torques

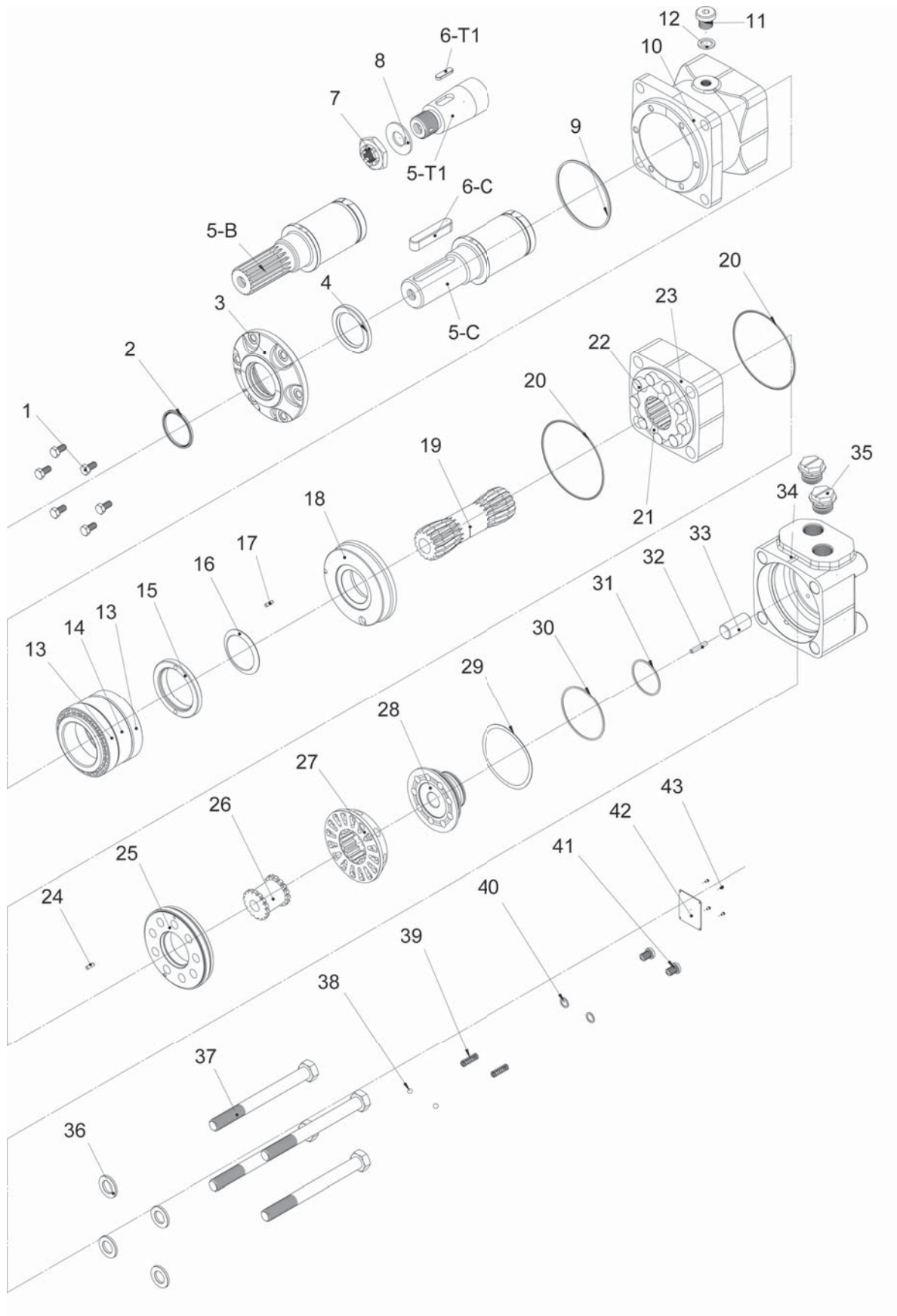
	Tightening (ft. lbs)
Displacement End	120
Flange End	25



Parts diagrams are provided for reference only. If a unit is disassembled, repaired or modified in any way by anyone other than Dynamic Fluid Components, the warranty is no longer valid.



# BMV Motor - Parts Assembly Diagram



## BMV Motor - Parts Listing

#	Part Description	Qty per Motor
1	Screws	6
2	Dust Seal	1
3	Front Cover	1
4	Shaft Seal	1
5	Shaft: B: 2 1/8" 16-tooth Spline C: 2 1/4" Parallel Key T1: 2 1/4" Tapered	1
6	Parallel Key	0-1
7	Castellated Nut	0-1
8	Washer	0-1
9	"O" Ring	1
10	Housing	1
11	Drain Plug	1
12	Washer	1
13	Needle Bearings	2
14	Spacer Bushing	1
15	Lock Nut	1
16	Butterfly Washer	1
17	Pin	1
18	Intermediate Plate	1
19	Drive Link	1
20	"O" Ring	2
21-23	Gerotor Set	1
24	Pin	1
25	Balance Plate	1
26	Coupling	1
27	Distributor Plate	1
28	Channel Plate	1
29	Spring	1
30	"O" Ring	1
31	"O" Ring	1
32	Pin	1
33	Spacer	1
34	End Cover	1
35	Plugs	2
36	Washer	4
37	Screw	4
38	Ball	2
39	Spring	2
40	Washer	2
41	Drain Plug	2
42	Name Plate	1
43	Rivets	4

## Seal Kit Contents

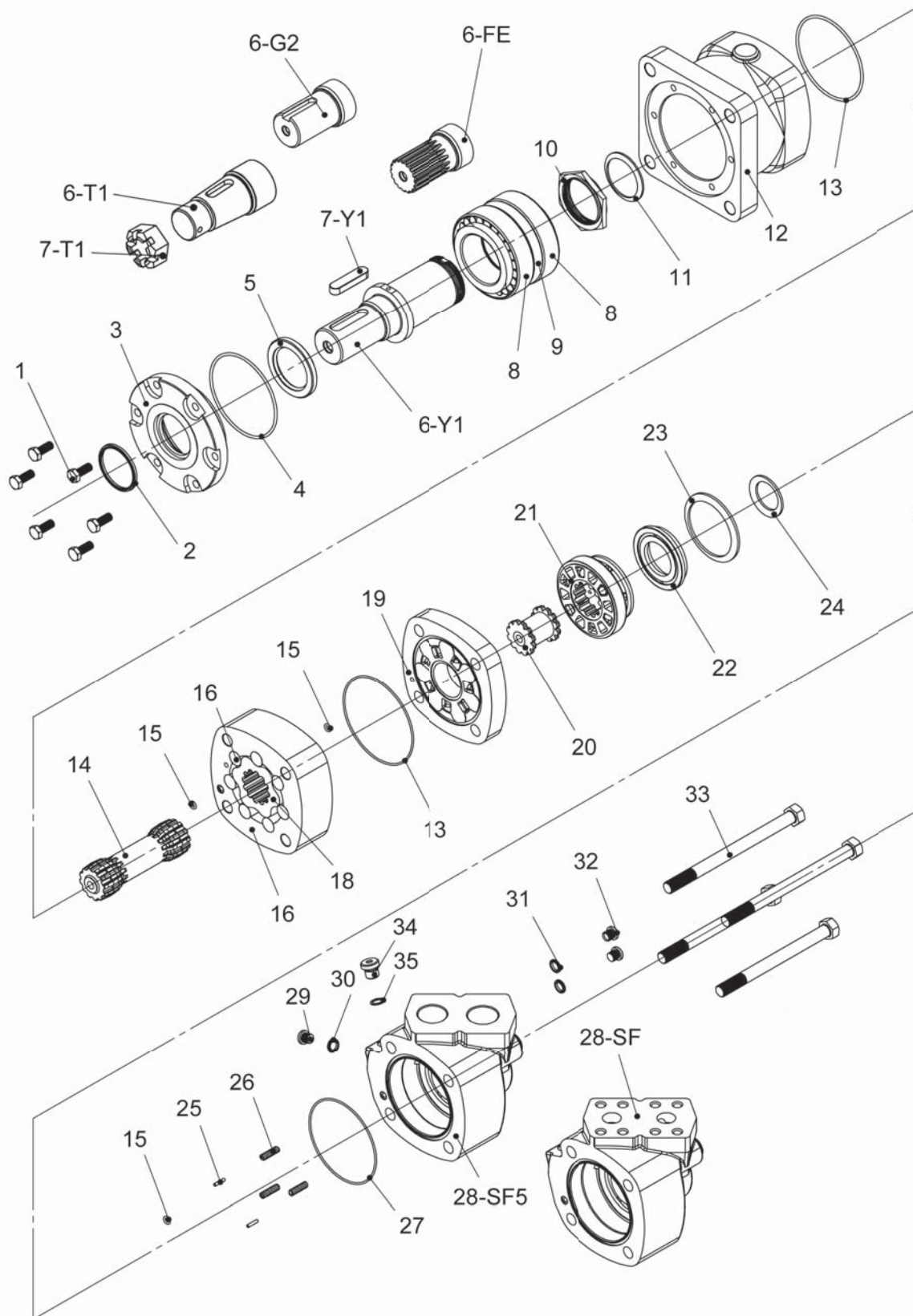
#	Part Description	Qty per Motor
2	Dust Seal	1
4	Shaft Seal	1
9	"O" Ring	1
20	"O" Ring	2
30	"O" Ring	1
31	"O" Ring	1

## Tightening Torques

	Tightening (ft. lbs)
Displacement End	140
Flange End	25

Parts diagrams are provided for reference only. If a unit is disassembled, repaired or modified in any way by anyone other than Dynamic Fluid Components, the warranty is no longer valid.

# BMK6 Motor - Parts Assembly Diagram



## BMK6 Motor - Parts Listing

#	Part Description	Qty per Motor
1	Screw	6
2	Dust Seal	1
3	Front Cover	1
4	"O" Ring	1
5	Shaft Seal	1
6	Shaft G2: 1 1/2" Keyed T1: 1 1/4" Keyed FE: 17-Tooth Spline Y1: 40mm Parallel Key	1
7	Key or Castellated Nut	0-1
8	Needle Bearing	2
9	Spacer Bushing	1
10	Lock Nut	1
11	Butterfly Washer	1
12	Housing	1
13	"O" Ring	1
14	Drive Link	1
15	"O" Ring	3
16	Stator	1
17	Roller	7
18	Rotor	1
19	Balance Plate	1
20	Coupling	1
21	Distributor Plate	1
22	Channel Plate	1
23	Seal	1
24	Seal	1
25	Pin	3
26	Spring	3
27	"O" Ring	1
28	End Cover	1
29	Drain Plug	3
30	Washer	3
31	Ball	2
32	Spring	2
33	Screw	4
34	Drain Plug	1
35	Washer	1

## Seal Kit Contents

#	Part Description	Qty per Motor
2	Dust Seal	1
4	"O" Ring	1
5	Shaft Seal	1
13	"O" Ring	2
15	"O" Ring	3
23	Seal	1
24	Seal	1
27	"O" Ring	1

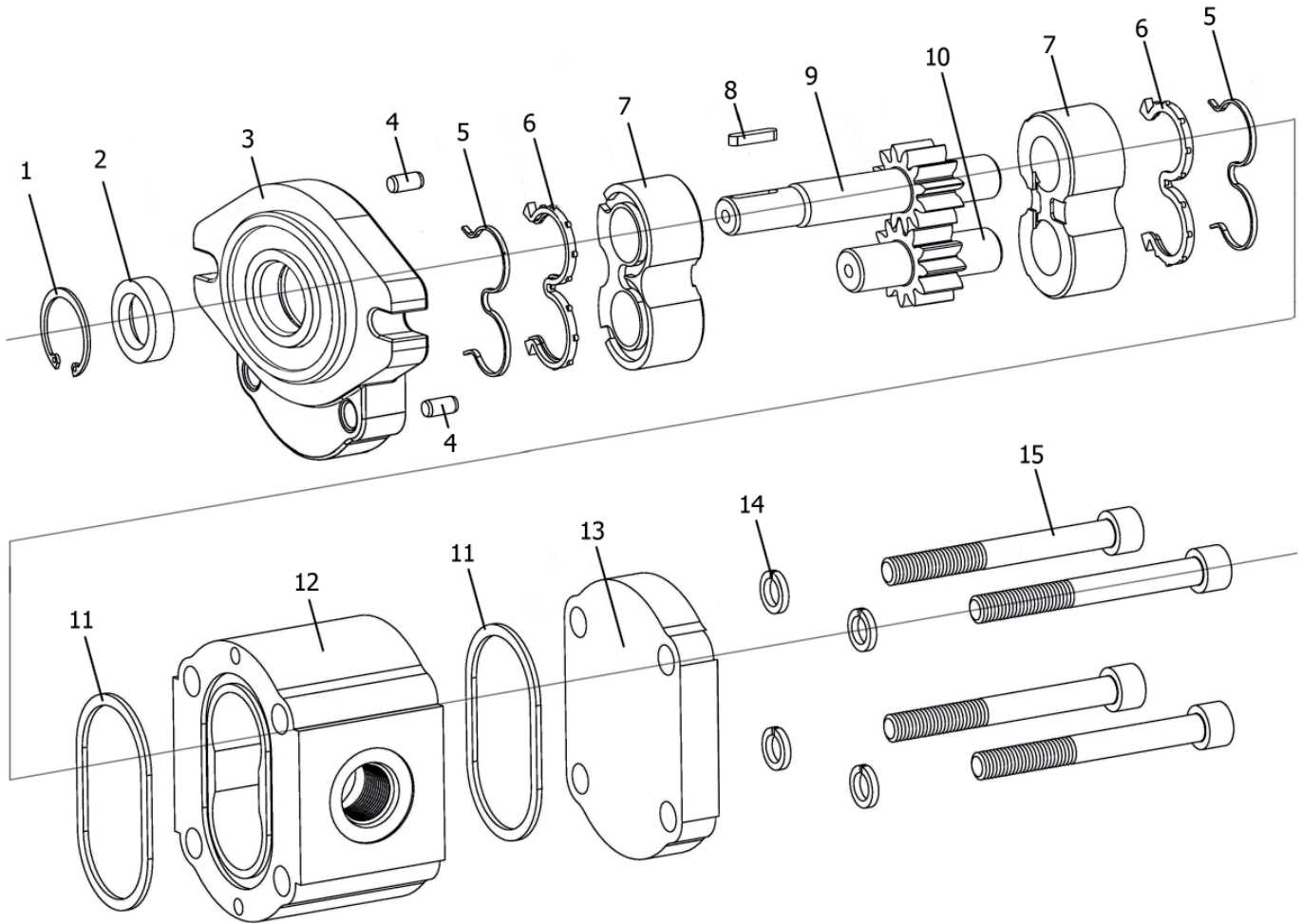
## Tightening Torques

	Tightening (ft. lbs)
Displacement End	110
Flange End	25

Parts diagrams are provided for reference only. If a unit is disassembled, repaired or modified in any way by anyone other than Dynamic Fluid Components, the warranty is no longer valid.

# F10 Pump - Parts Assembly Diagram

Parts diagrams are provided for reference only. If a unit is disassembled, repaired or modified in any way by anyone other than Dynamic Fluid Components, the warranty is no longer valid.



## Parts Listing

#	Part Description	Qty per Pump
1	Shaft Ring	1
2	Shaft Seal	1
3	Front Cover	1
4	Pin	1
5	E Ring	2
6	E Seal	2
7	Bushing	2
8	Key	1
9	Drive Gear P: 1/2" Keyed Shaft	1
10	Driven Gear	1
11	Case Seal	2
12	Housing	1
13	Rear Cover	1
14	Washer	4
15	Housing Bolt	4

## Seal Kit Contents

#	Part Description	Qty
2	Shaft Seal	1
5	E Ring (Teflon)	2
6	E Seal	2
11	Case Seal	2

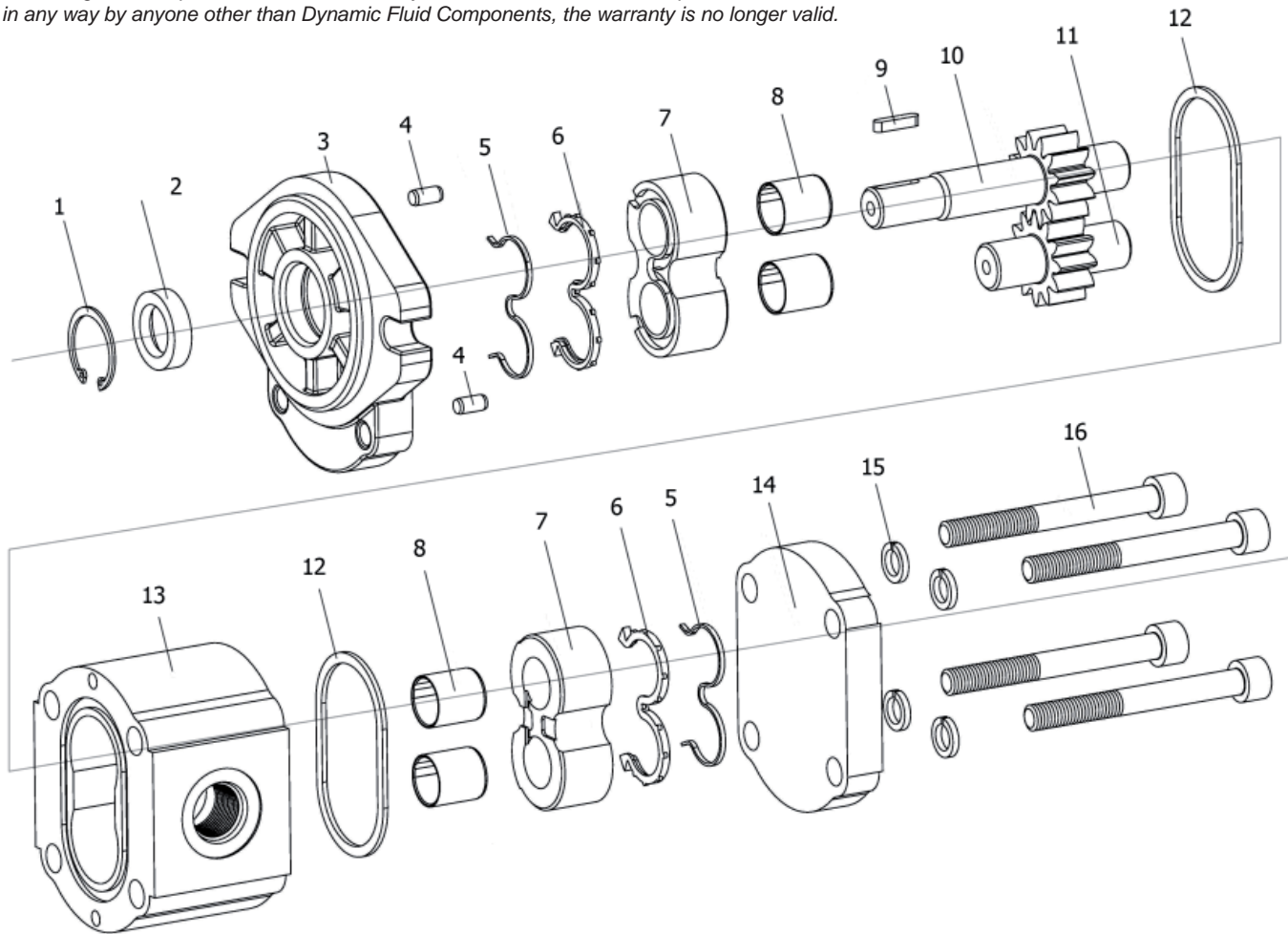
## Tightening Torque

Tightening (ft. lbs)
30



# F20 Pump - Parts Assembly Diagram

Parts diagrams are provided for reference only. If a unit is disassembled, repaired or modified in any way by anyone other than Dynamic Fluid Components, the warranty is no longer valid.



## Parts Listing

#	Part Description	Qty per Pump
1	Shaft Ring	1
2	Shaft Seal	1
3	Front Cover	1
4	Pin	1
5	E Ring	2
6	E Seal	2
7	Bushing	2
8	DU Bearing	4
9	Key	1
10	Drive Gear P: 1/2" Keyed Shaft P1: 3/4" Keyed Shaft S9: 9-tooth Spline S11: 11-tooth Spline	1
11	Driven Gear	1
12	Case Seal	2
13	Housing	1
14	Rear Cover	1
15	Washer	4
16	Housing Bolt	4

## Seal Kit Contents

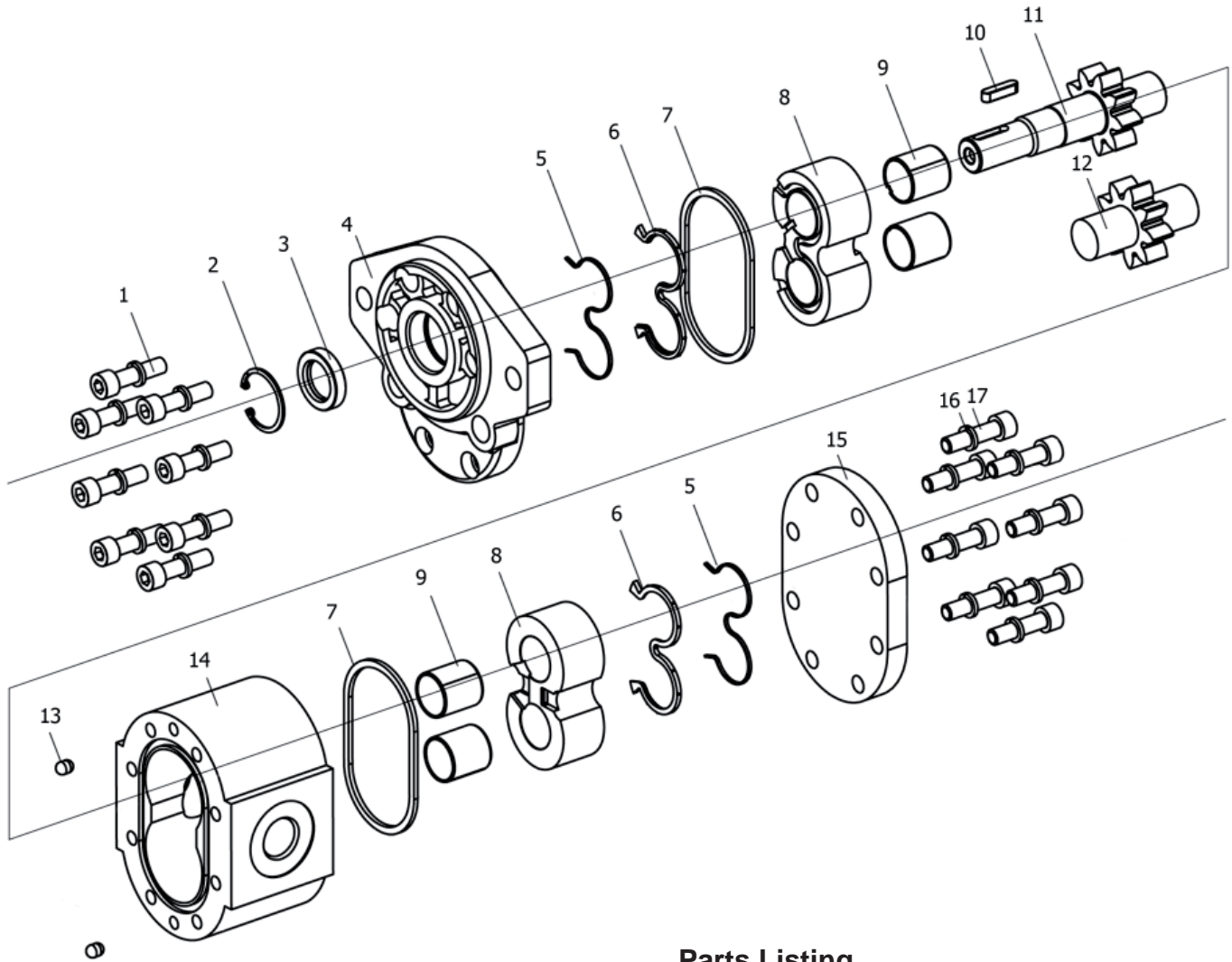
#	Part Description	Qty
2	Shaft Seal	1
5	E Ring (Teflon)	2
6	E Seal	2
12	Case Seal	2

## Tightening Torque

Tightening (ft. lbs)
40

# F25 Pump - Parts Assembly Diagram

Parts diagrams are provided for reference only. If a unit is disassembled, repaired or modified in any way by anyone other than Dynamic Fluid Components, the warranty is no longer valid.



### Seal Kit Contents

#	Part Description	Qty
3	Shaft Seal	1
5	E Ring (Teflon)	2
6	E Seal	2
7	Case Seal	2

### Tightening Torque

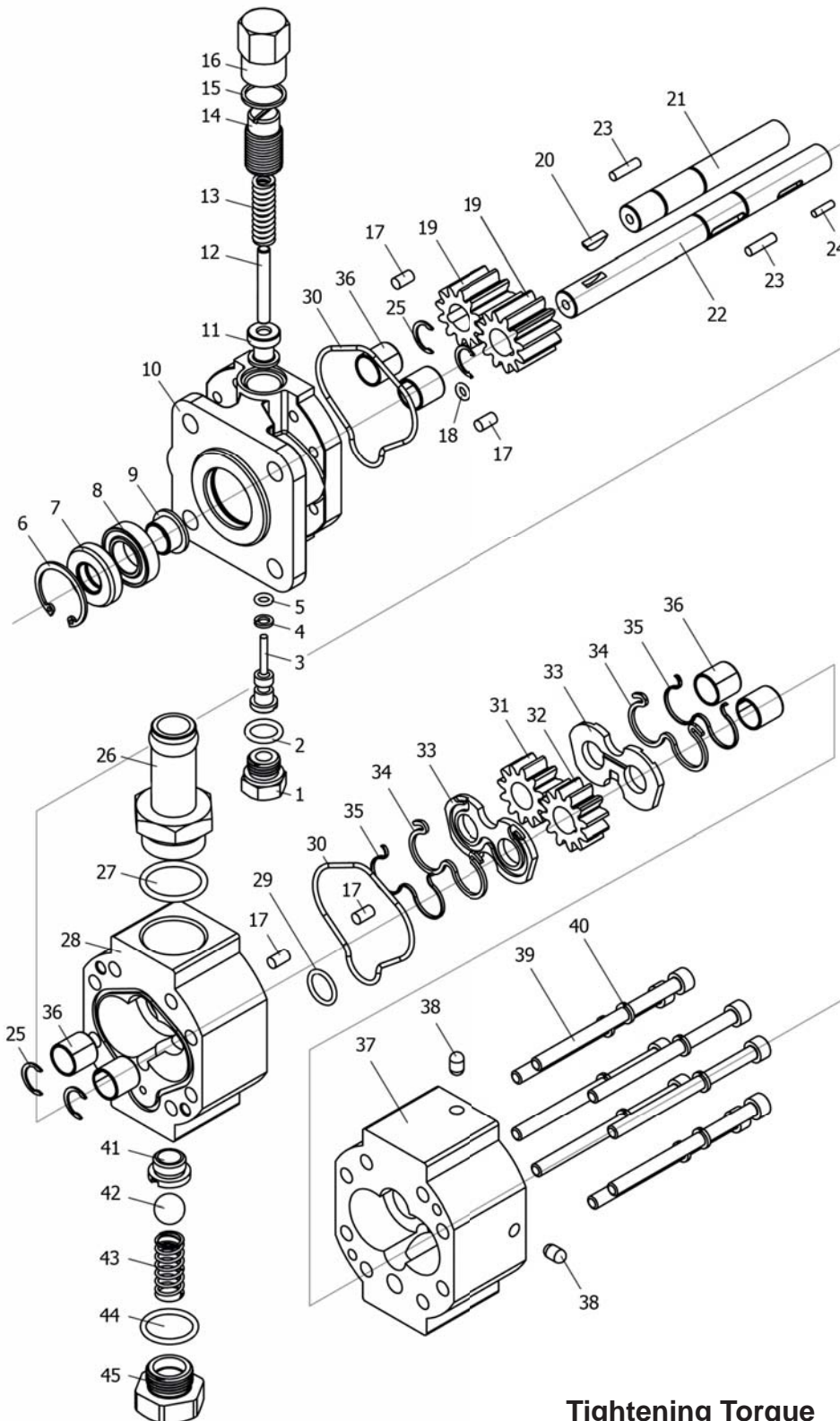
Tightening (ft. lbs)
40

### Parts Listing

#	Part Description	Qty per Pump
1	Flange Bolts	8
2	Shaft Ring	1
3	Shaft Seal	1
4	Front Cover	1
5	E Ring	2
6	E Seal	2
7	Case Seal	2
8	Bushing	4
9	DU Bearing	1
10	Key	1
11	Drive Gear P: 7/8" Keyed Shaft S13: 13-tooth Spline	1
12	Driven Gear	2
13	Pin	1
14	Housing	1
15	Rear Cover	1
16	Washer	16
17	Housing Bolts	8

# CBN Pump (8-16 gpm) - Parts Diagram

Parts diagrams are provided for reference only. If a unit is disassembled, repaired or modified in any way by anyone other than Dynamic Fluid Components, the warranty is no longer valid.



## Parts Listing

#	Part Description	Qty
1	Relief Valve Plug	1
2	O-Ring	1
3	Overload Bar	1
4	Snap Ring	1
5	O-Ring	1
6	Snap Ring	1
7	Shaft Seal	1
8	Bearing	1
9	Bushing	1
10	Front Cover	1
11	Spool	1
12	Carrying Shaft	1
13	Relief Valve Spring	1
14	Relief Valve Controller	1
15	Washer	1
16	Relief Valve Plug	1
17	Pin	4
18	O-Ring	1
19	Gear	2
20	Woodruff Key	1
21	Driven Shaft	1
22	Drive Shaft	1
23	Pin	2
24	Pin	1
25	Snap Ring	4
26	Front Pump Body	1
27	O-Ring	1
28	Inlet Pipe	1
29	O-Ring	1
30	O-Ring	2
31	Gear	1
32	Gear	1
33	Side Plate	2
34	E Seal	2
35	Back-Up Teflon	2
36	DU Bearing	6
37	Rear Pump Body	1
38	Plug	2
39	Bolt	8
40	Washer	8
41	Check Valve Set	1
42	Steel Ball	1
43	Check Valve Spring	1
44	O-Ring	1
45	Check Valve Plug	1

## Seal Kit Contents

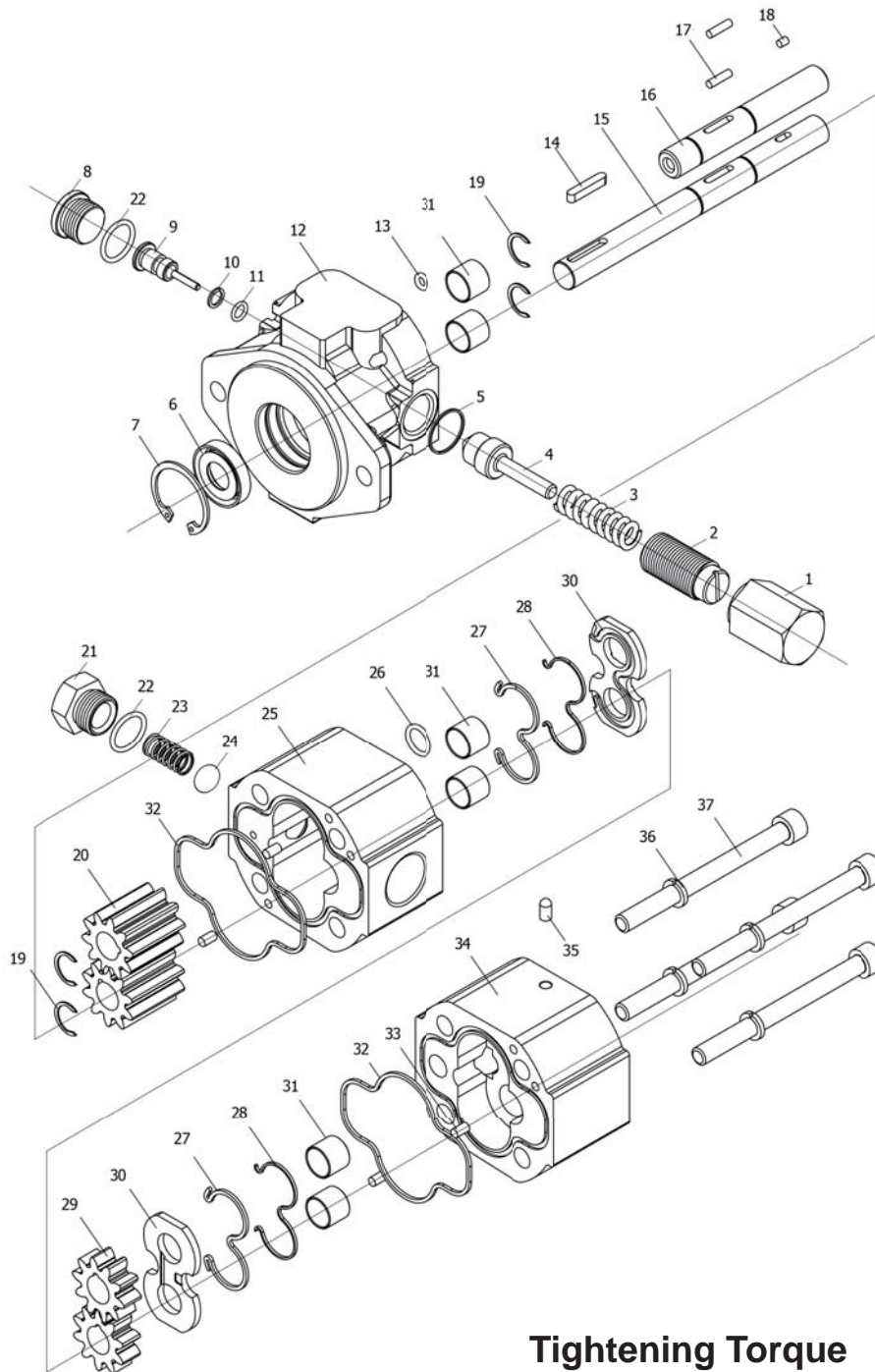
#	Part Description	Qty
2	O-Ring	1
4	Snap Ring (white)	1
5	O-Ring	1
7	Shaft Seal	1
18	O-Ring	1
29	O-Ring	1
30	O-Ring	2
34	E Seal	2
35	Back-Up Teflon	2
44	O-Ring	1

## Tightening Torque

Tightening (ft. lbs)
10

# CBN Pump (22-28 gpm) - Parts Diagram

Parts diagrams are provided for reference only. If a unit is disassembled, repaired or modified in any way by anyone other than Dynamic Fluid Components, the warranty is no longer valid.



## Tightening Torque

Tightening (ft. lbs)

40

## Parts Listing

#	Part Description	Qty per Pump
1	Relief Valve Nut	1
2	Relief Valve Bolt	1
3	Relief Valve Spring	1
4	Relief Valve Spool	1
5	Seal Ring	1
6	Shaft Seal	1
7	Retaining Ring	1
8	Relief Valve Plug	1
9	Overload Rod	1
10	Retaining Ring	1
11	O-Ring	1
12	Front Pump Cover	1
13	O-Ring	1
14	Key	1
15	Drive Shaft	1
16	Driven Shaft	1
17	Pin	2
18	Pin	1
19	Retaining Ring	4
20	Gear	2
21	Check Valve Plug	1
22	O-Ring	2
23	Check Valve Spring	1
24	Steel Ball	1
25	Front Pump Body	1
26	O-Ring	1
27	E Seal	2
28	Back-Up Teflon	2
29	Gear	2
30	Side Plate	2
31	DU Bearing	6
32	Seal	2
33	Pin	4
34	Rear Pump Body	1
35	Plug	1
36	Washer	4
37	Bolt	4

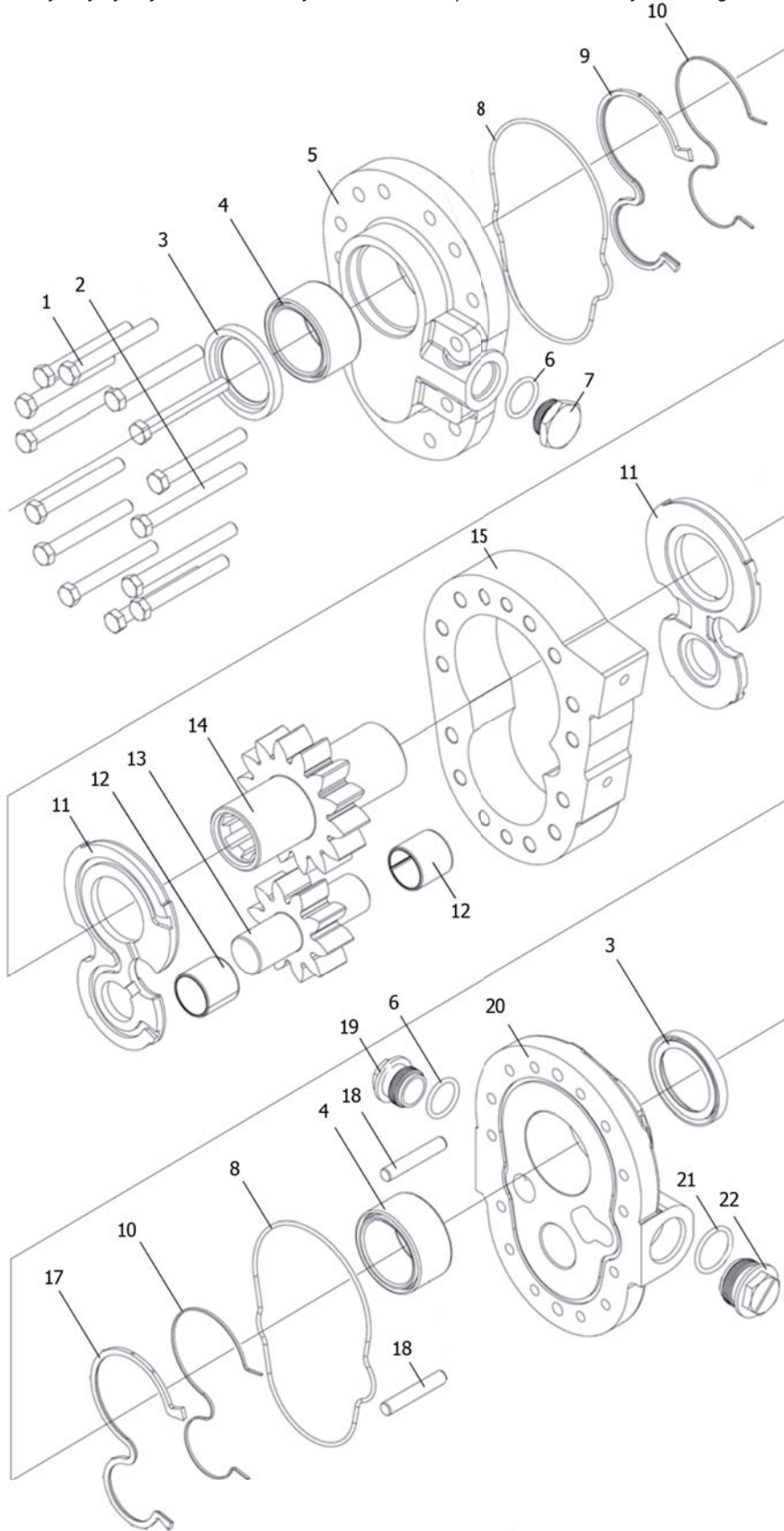
## Seal Kit Contents

#	Part Description	Qty per Pump
6	Shaft Seal	1
10	Retaining Ring (white)	1
11	O-Ring (green)	1
13	O-Ring (black)	1
19	Retaining Clip	4
22	O-Ring	2
26	O-Ring	1
27	E Seal	2
28	Back-Up Teflon	2
32	Seal	2



# PTO Pump (Side Ported) - Parts Diagram

Parts diagrams are provided for reference only. If a unit is disassembled, repaired or modified in any way by anyone other than Dynamic Fluid Components, the warranty is no longer valid.



## Parts Listing

#	Part Description	Qty per Pump
1	Cap Screw	12
2	Cap Screw	2
3	Shaft Seal	2
4	Shaft Bearing	2
5	Front Cover	1
6	O-Ring	2
7	Plug	1
8	O-Ring	2
9	E Seal	1
10	Protector	2
11	Wear Plate	1
12	Idler Gear Assembly	2
13	Driven Gear	1
14	Drive Gear	1
15	Body	1
16	Wear Plate	1
17	E Seal	1
18	Pin	2
19	Plug II	1
20	Rear Cover	1
21	O-Ring	1
22	Plug I	1

## Seal Kit Contents

#	Part Description	Qty per Pump
3	Shaft Seal	2
6	O-Ring	2
8	O-Ring	2
9	E Seal	1
10	Protector	2
17	E Seal	1
21	O-Ring	2

## Tightening Torque

Tightening (ft. lbs)
36



# Metric Conversions

## PRESSURES

Common catalog PRESSURES and corresponding value in bar, kilopascals and kilograms per square inch.

psi	Bar	kPa	kg/cm <sup>2</sup>
.50	.034	3.44	.0352
1.00	.069	6.89	.0703
1.25	.086	8.62	.0879
2	.138	13.79	.1406
5	.345	34.48	.3515
10	.699	69.85	.7030
15	1.034	103.43	1.0545
20	1.379	137.90	1.4060
25	1.724	172.38	1.7500
30	20.69	206.85	2.1090
35	2.413	241.33	2.4605
40	2.758	275.80	2.8120
50	3.448	344.75	3.5150
60	4.137	413.70	4.2180
70	4.837	482.65	4.9210
80	5.516	551.60	5.6240
90	6.206	620.55	6.3270
100	6.895	689.50	7.0300
125	8.619	861.88	8.7875
150	10.343	1034.25	10.5450
175	12.066	1206.63	12.3025
200	13.790	1379.00	14.0600
250	17.238	1723.75	17.5750
275	18.961	1896.13	19.3325
300	20.685	2068.50	21.0900
350	24.133	2413.25	24.6050
400	27.580	2758.00	28.1200
500	34.475	3447.50	35.1500
600	41.370	4137.00	42.1800
750	51.713	5171.25	52.7250
1000	68.950	6895.00	70.3000
1500	103.425	10342.50	105.4500
1900	131.005	13100.50	133.5700
2200	151.690	15169.00	154.6600

## COMMON EQUIVALENTS

Common English Unit and how to obtain the International Organization of Standardization (ISO) equivalent unit.

English Unit	Multiply by	To Obtain ISO Unit
gallon (U.S. liquid)	3.78500	liter (l)
cubic foot (foot <sup>3</sup> )	.02832	cubic meter (meter <sup>3</sup> )
ounce (oz)	28.35000	gram
pound (lb)	.45360	kilogram (kg)
inch (in)	25.40000	millimeter (mm)
Foot	.30480	meter (m)
psiG	.06895	bar
Inches of Water	.00249	bar
Inches of Mercury	.03386	bar
psiG	6.89500	kilopascal (kPa)
Inches of Water	.24900	kilopascal (kPa)
Inches of Mercury	3.38600	kilopascal (kPa)
std. cubic feet/hour (SCFH)	.00786	cubic decimeter normalized/second (dm <sup>3</sup> /s)
gallons/minute (gpm)	3.78500	liters/minute (l/m)

## COMMON EQUIVALENTS

Common catalog ORIFICE sizes and ISO equivalents in mm.

inches	mm	inches	mm
3/64 (.0469)	1.19	7/16 (.4375)	11.11
1/16 (.0625)	1.59	1/2 (.5000)	12.70
5/64 (.0781)	1.98	5/8 (.6250)	15.88
3/32 (.0937)	2.38	11/16 (.6875)	17.46
1/8 (.1250)	3.18	3/4 (.7500)	19.05
5/32 (.1562)	3.97	1 (1.000)	25.40
11/64 (.1719)	4.37	1 1/8 (1.125)	28.58
3/16 (.1875)	4.76	1 1/4 (1.250)	31.75
7/32 (.2187)	5.55	1 1/2 (1.500)	38.10
1/4 (.2500)	6.35	1 3/4 (1.750)	44.45
9/32 (.2812)	7.14	2 (2.000)	50.80
5/16 (.3125)	7.94	3 (3.000)	76.20

## SUGGESTED PRODUCT COMPATIBILITY GUIDE

### Bronze

acetone	butanol	cuprous oxide	ethylene glycol	glycerine	oil (lubricating)	sea water
acetylene	butyric acid	dextrine	eucalyptol	kerosene	oil (refined)	tanning liquors
alcohol	calcium chloride	ethers	formaldehyde	lacquers	oxygen	toluene
beer	calcium hydroxide	ethyl acetate	freon	lysol	paraffin	water
benzine	carbon dioxide (dry)	ethyl cellulose	gallic acid	magnesium sulfate	potassium chloride	whiskey
benzol	casein	ethylene	gas, illuminating	methyl salicylate	prestone	
bordeaux mixture	chloroform	ethylene dibromide	gasoline	naphtha	proxylin	
butane	coal gas	ethylene dichloride	glucose	nickel acetate	salicylic acid	

### Steel

acetone	ammonium phosphate	calcium hydroxide	ethers	magnesium sulfate	potassium sulfate	sulfur dioxide (dry)
acetylene	benzine	carbon bisulfide	gasoline (refined)	mercury	sodium carbonate	sulfuric (concentrated to 75%)
alcohol	benzol	carbon dioxide (dry)	glucose	methyl chloride	sodium hydroxide	toluene
ammonium carbonate	benzol	chloroform	glycerine	nitrogen	sodium nitrate	vegetable oils
ammonium hydroxide	benzyl alcohol	coal gas	derosene	pitric acid (dry)	sodium sulfate	
	butane	cottonseed oil	magnesium hydroxide	potassium chloride	sodium sulfide	
	butanol	creosole (crude)		potassium cyanide	sodium sulfite	

### 316 Stainless Steel

acetic acid	butane	ferric nitrate	lox	photographic solutions	silver nitrate	vinegar
acetic anhydride	calcium bisulfite	ferric sulfate	nitric acid (pure)	pickling solutions	sodium cyanide	vegetable oils
alums	carbon disulfide	hydrocyanic acid	nitrous acid	pitric acid	sodium peroxide	wines
aluminum sulfate	chromic acid	hydrogen	nitrous oxide	potassium permangante	sodium phosphate	
ammonia	citric acid	hydrogen peroxide	oxygen		sulfur dioxide	
bleach liquors	copper sulfate	lactic acid	phosphoric acid		sulfurous acid	



**FLUID COMPONENTS, INC.**

## Terms and Conditions

---

### PAYMENT TERMS

Net 30 days. Automatic C.O.D. after 60 days without prior notification, FOB West Union, SC.

### WARRANTY

Seller warrants the items sold hereunder shall be free from defects in materials or workmanship for a period of one (1) year from the date of shipment. This warranty comprises the entire warranty pertaining to items provided hereunder. Seller makes no other warranty, guarantee or representation of any kind. If the buyer disassembles, repairs or modifies the unit in any way warranty is no longer valid. All returns must be accompanied by our Return Authorization Form. Dynamic Fluid Components, Inc. is not responsible for material returned without authorization.

### RETURNED GOODS

Dynamic Fluid Components, Inc. reserves the right to accept material back at our discretion. All returns must be accompanied by our Return Authorization Form. Dynamic Fluid Components, Inc. is not responsible for material returned without authorization. Material may be returned for credit less a 25% restocking fee with an order of equal value or less a 50% restocking fee without an order of equal value provided materials is in saleable condition and freight is pre-paid. All returns for restock must be accompanied by a copy of the original invoice, otherwise items are assumed to have been purchased at the maximum discount and credit is issued accordingly.

### CREDIT ISSUE POLICY

Credit balances can be offered by material purchase only. Cash payments are not allowed. Dynamic Fluid Components, Inc. reserves the right to assess a restocking fee on all items returned for credit.

### PRICING

Subject to change without prior notification.

### SPECIAL ORDERS

Special orders are noncancellable.

### CONDITIONS

Dynamic Fluid Components, Inc. must have a copy of your sales tax exemption certificate on file. Any discrepancies in either billing or shipping must be reported within 30 days from receipt of order. The carrier must be contracted if package is damaged when received and goods must be kept with original packaging for inspection by the carrier.



**WARNING**

**Products supplied in this catalog can cause serious injury to equipment and person if not used properly. Never exceed rated pressures stated in this catalog. Stated pressures are rated in psi. Inspect products on a regular basis while in service. Products in this catalog are used in thousands of applications in varying situations. It is not possible for us to warranty the use of a specific product for a singular application. The user is responsible for selecting and testing the final configuration to ensure that all performance, safety and warning requirements are met.**

Dynamic is not responsible for errors or omissions in this catalog.

**Call 1-800-988-1276  
from anywhere in the U.S.**