

DYNAMIC

FLUID COMPONENTS, INC.

DYNAMIC

FLUID COMPONENTS, INC.

Dynamic Fluid Components, Inc. is pleased to present our extensive line of products for the hydraulic, pneumatic, process, petrochemical and other allied industries. Our wide selection of hydraulic gear pumps, low speed high torque motors, gear motors, pressure gauges and valves are offered at highly competitive prices with fast shipping to keep your business running smoothly. At Dynamic, quality assurance is the top priority. Our products are produced under the most stringent manufacturing conditions while supported by an advanced test and development facility.

The Dynamic Fluid Components warehouse located in West Union, South Carolina offers most of the catalog products in stock and available for immediate shipping. Our extensive network of distributors and representatives are ready to serve you.

For immediate attention, please call:

TOLL FREE 800-988-1276
TELEPHONE 864-638-5544
WEBSITE www.dynamicfc.com

FAX 864-638-0005
EMAIL dynamic@dynamicfc.com
ORDERS orderentry@dynamicfc.com

Our product line is always expanding!

We welcome your inquiries for hydraulic pumps and motors not shown in this catalog. Please feel free to contact our team of sales specialists by calling 800-988-1276 from anywhere within North America. For our most current products, visit our website at www.dynamicfc.com.



**PO Box 100 • 2810 Blue Ridge Boulevard, West Union, SC 29696
Phone: 800-988-1276 or 864-638-5544 • Fax: 864-638-0005**

Visit us online at www.dynamicfc.com

PRODUCT INDEX



Gauges, Valves and Accessories

Vacuum, Compound & Pressure Gauges	5-14
Test Points, Hose Connectors & Hose Assemblies	15-19
Valves & Flow Dividers	20-33
Reservoir Accessories	34-35

Hydraulic Gear Pumps

F0 & F1 - All Aluminium Mini Hydraulic Gear Pumps	37-38
F10 - SAE "AA" 2-Bolt Mount - Aluminium & Cast Iron Hydraulic Gear Pump	39
F20 - SAE "A" 2-Bolt Mount - Aluminium & Cast Iron Hydraulic Gear Pump	40
F25 - SAE "B" 2-Bolt Mount - Aluminium & Cast Iron Hydraulic Gear Pump	41
Double & Triple Pumps - Built to order from F10, F20 and F25 Series	42
CBN - HI/LO Hydraulic Gear Pump	43-44
PTO - Power Take Off Gear Pump	45-46

Hydraulic Motors

BMM (Rotortorc™) - Interchangeable w/ Char-Lynn 129-, Danfoss OMM & Others	49-55
BMPH (Rotortorc™) - Interchangeable w/ Char-Lynn 101- & Others	56-64
BMRS (Rolortorc™) - Interchangeable w/ Char-Lynn 103- & Others	65-71
BMSY (Rolortorc™) - Interchangeable w/ Char-Lynn 104-, 105- & Others	72-78
BMH (Rolortorc™) - Interchangeable w/ Danfoss OMH & Others	79-85
BMER-2 (Rolortorc™) - Interchangeable w/ White 500 / 530 Series & Others	86-96
BMER-4 (Rolortorc™) - Interchangeable w/ White 520 Series & Others	97
BMT (Rolortorc™) - Interchangeable w/ Char-Lynn 4000 Series & Others	98-104
BMV (Rolortorc™) - Interchangeable w/ Danfoss OMV & Others	105-111
BMK6 (Rolortorc™) - Interchangeable w/ Char-Lynn 6000 Series & Others	112-119
GM-F10/GM-F20 (Gear Motors)	120-121

Appendix

Standard Dynamic Gauge Increments & Faces	123-124
Ball Valve Parts Assembly Diagrams	125
Seal Information and Seal Kits	126
Special Order Motor Options	127
Crossover References Charts	127-136
Motor Parts Assembly Diagrams	137-153
Pump Parts Assembly Diagrams	154-159
Metric Conversions Tables	160
Dynamic Terms and Conditions	161

General Information

Pressure Gauges

The maximum working pressures of standard gauges should not exceed 75% of full scale for constant pressure applications, or 66% of full scale for pulsating pressures. Normal overpressures allowed are: 1.25 times FSV for ranges up to 1,000 psi; 1.15 times FSV for ranges between 1,000 and 10,000 psi; 1.10 times FSV for higher pressures. Dial face includes both psi (black) and bar (red) scales. PSI only faces may be available. To see standard increments and dial faces, see pages 123-124.

Glycerine is used as standard in most Dynamic fluid-filled gauges. Neither glycerine nor silicone should be used in applications involving oxygen, chlorine, nitric acid, hydrogen peroxide or other oxidizing agents.

All Dynamic gauges come with a standard polycarbonate lens. Safety glass or tempered glass covers are available with minimum order. Dynamic filled gauges include a dual relief valve/blowout disc for operating safety.

Test Points

The need for preventative maintenance of hydraulic systems in general has added to the use of test points throughout the system. This need is answered by the installation of a range of test points, plugs and probes, which can be connected under full system pressure to 6000 psi. Where the introduction of test points is needed, and the hydraulic system uses flexible hydraulic hoses, Dynamic has a range of Hydra-Test hose couplings fitted with test points. For full product data consult pages 16-20.

Valves & Flow Dividers

New products have been recently added to Dynamic's extensive inventory of valves and flow dividers, including a 6-way, 2-station Selector Valve and a Spool Flow Divider.

Gauges, Valves & Accessories TABLE OF CONTENTS

Gauges

Service Filter Gauges	5
CDS Series - Dry	6-7
CF Series - Glycerine-filled	8-9
PDLC Series - 4" Glycerine-filled	10
CFC Series - 4" Glycerine-filled	11
PDSS Series - All Stainless Steel	12-13
Pressure Gauge Accessories	14

Valves & Flow Dividers

Check Valves	20
Ball Valves & Accessories	21-24
Needle Valves	25-26
Flow Control Valves	27-28
Flow Dividers	29-30
Log Splitter Control Valve	31
Selector Valve	32-33

Test Point Plugs, Probes & Hose Assemblies

Test Point Plugs & Probes	15-16
Hose Couplings	17
Hose Assemblies & End Fittings	18-19

Reservoir Accessories

Screw-On Air Breathers	34
Filter Filler Breathers	35

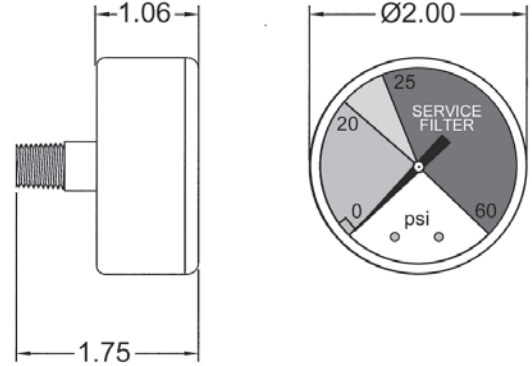
Model DCI-20

Features

- Steel Case
- Phosphor Bronze Bourdon Tube
- Standard Range: 0-60 psi
- 1/8" NPT Bronze Connection
- Polycarbonate Lens
- Dry Gauge
- **Liquid-filled Available w/ SS Case*



Installation Data



Ordering Example:

Model	Options
DCI-20	-

Model	Options
DCI-20 = 2" Service Filter Gauge	omit = Dry LF* = Liquid-filled <i>*special order</i>

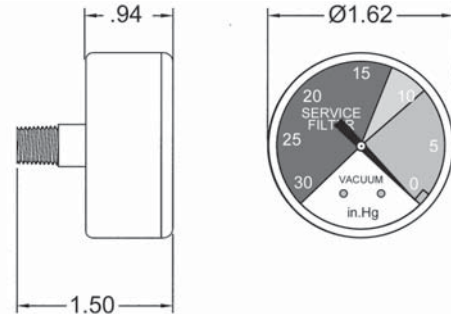
Model DGV-10

Features

- Steel Case
- Phosphor Bronze Bourdon Tube
- Vacuum Range: 30"HG - 0 psi
- 1/8" NPT Bronze Connection
- Polycarbonate Lens
- Dry Gauge
- Center Back & Stem Mounts Available



Installation Data



Ordering Example:

Model	Style
DGV-10	A

Model	Style
DGV-10 = 1.5" Vacuum Service Filter Gauge	A = Stem D = Center Back

Additional pressure ranges and color breaks available with minimum order.



FLUID COMPONENTS, INC.

CDS Series Dry Gauges

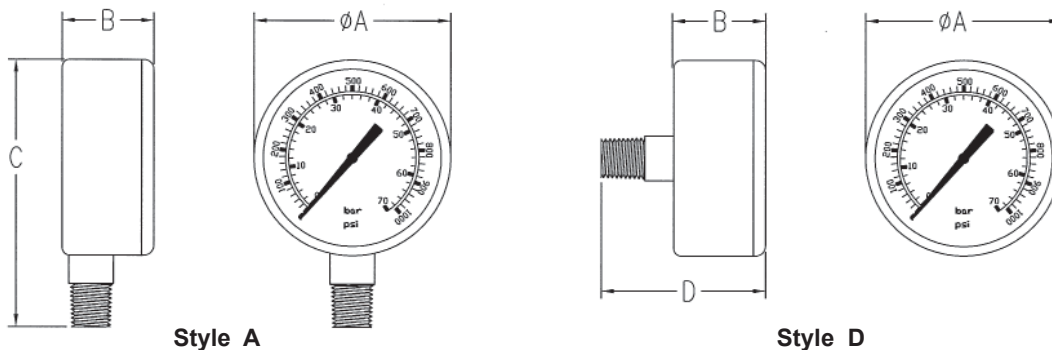
1 1/2" , 2" and 2 1/2" • Stem & Center Back Mounts

Features

- Steel Case
- Phosphor Bronze Bourdon Tube
- Bronze Connection
- Polycarbonate Lens
- Built-in Snubber
- Range: Vacuum to 6,000 psi
- Dual Scale: psi & bar
- Accuracy: ± 1.6% FSD
- Temperature Range: -40° to 180° F
- Certificate of Accuracy Available (see page 14 for details)



Installation Data



Size	A	B	C	D	Port	Weight	
						Style A	Style D
1 1/2"	1.62"	.90"	2.26"	1.50"	1/8" NPT	.10 lbs	.15 lbs
2"	2.00"	1.08"	2.81"	1.80"	1/4" NPT*	.20 lbs	.20 lbs
2 1/2"	2.45"	1.05"	3.22"	1.75"	1/4" NPT*	.25 lbs	.25 lbs

* 1/8" NPT available w/ min. order. Add -8N to end of model #.

Ordering Example:

Model: **CDS** - Size: **1** Type: **P** - Range: **210** Style: **D**

Model	Size	Type	Pressure Range	Style
CDS = Dry Gauge	*4 = 1 1/2" dia. 5 = 2" dia. 1 = 2 1/2" dia.	C = Compound V = Vacuum P = Pressure	002 = 30" Hg - 30 psi** 000 = 30" Hg - 0 psi 001 = 15 psi 002 = 30 psi 004 = 60 psi 007 = 100 psi 010 = 160 psi 015 = 200 psi 020 = 300 psi 040 = 600 psi 070 = 1000 psi 100 = 1500 psi 140 = 2000 psi 210 = 3000 psi 280 = 4000 psi 350 = 5000 psi 420 = 6000 psi	A = Stem D = Center Back

Some size/range combinations may only be available by special order.

* 1 1/2" dia. is limited to 5000 psi

**Additional compound ranges may be available by special order.

Logo and custom gauge faces available with minimum 250 piece order. Call for details.

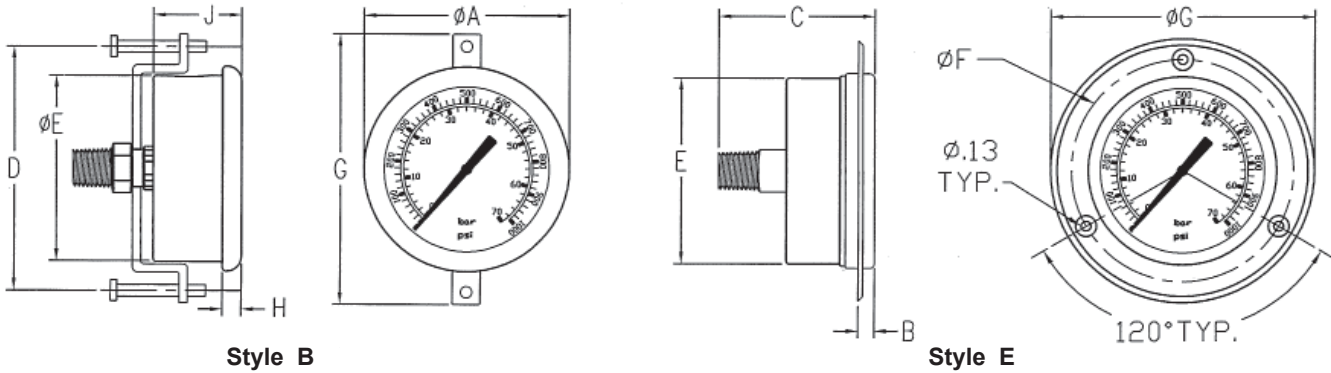
CDS Series Dry Gauges 2" and 2 1/2" • Panel Clamp & Flange Mounts

Features

- Steel Case, Rolled Bezel
- Phosphor Bronze Bourdon Tube
- Bronze Connection
- Polycarbonate Lens
- Built-in Snubber
- Range: Vacuum to 6,000 psi
- Dual Scale: psi & bar
- Accuracy: $\pm 1.6\%$ FSD
- Temperature Range: -40° to 180° F
- Certificate of Accuracy Available (see page 14 for details)



Installation Data



Size	A	B	C	D	E	F	G	H	J	Port	Weight	
											Style B	Style E
2"	2.25"	.20"	1.75"	2.28"	2.05"	2.45"	2.80"	.21"	1.15"	1/4" NPT*	.30	.25
2 1/2"	2.68"	.20"	1.75"	3.14"	2.40"	2.85"	3.29"	.25"	1.17"	1/4" NPT*	.40	.30

* 1/8" NPT available w/ min. order. Add -8N to end of model #.

Ordering Example: Model **CDS** - Size **5** Type **P** - Range **210** Style **E**

Model	Size	Type	Pressure Range	Style
CDS = Dry Gauge	5 = 2" dia. 1 = 2 1/2" dia.	C = Compound V = Vacuum P = Pressure	002 = 30" Hg - 30 psi** 000 = 30" Hg - 0 psi 001 = 15 psi 002 = 30 psi 004 = 60 psi 007 = 100 psi 010 = 160 psi 015 = 200 psi 020 = 300 psi 040 = 600 psi	070 = 1000 psi 100 = 1500 psi 140 = 2000 psi 210 = 3000 psi 280 = 4000 psi 350 = 5000 psi 420 = 6000 psi
				B = Panel Clamp E = Panel Flange

Some size/range combinations may only be available by special order.

**Additional compound ranges may be available by special order.

Logo and custom gauge faces available with minimum 250 piece order. Call for details.



FLUID COMPONENTS, INC.

CF Series Gauges

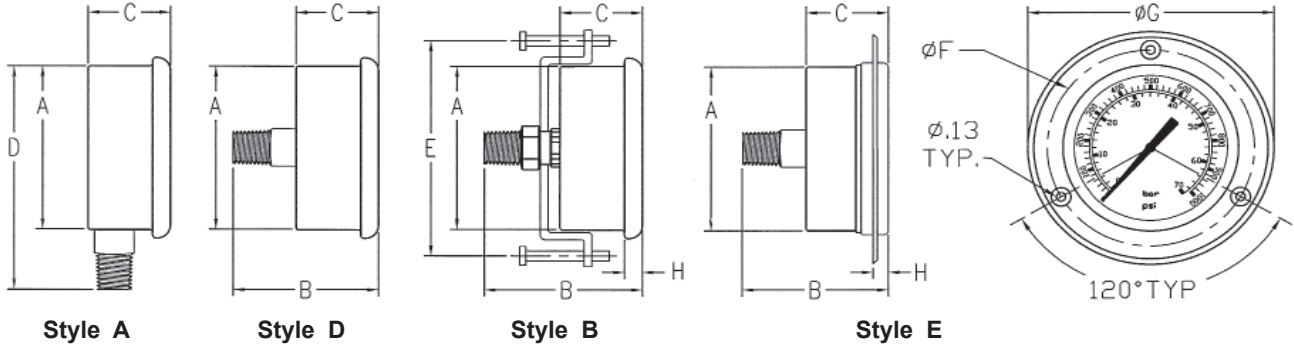
1 1/2", 2" and 2 1/2" • Glycerine-Filled

Features

- 304 Stainless Steel Case & Bezel
- Phosphor Bronze Bourdon Tube
- Bronze Connection
- Polycarbonate Lens
- Built-in Snubber
- Range: Vacuum to 10,000 psi
- Dual Scale: psi & bar
- Accuracy: ± 1.6% FSD
- Temperature Range: -13° to 180°F
- Certificate of Accuracy Available (see page 14 for details)



Installation Data



Size	A	B	C	D	E	F	G	H	Port	Weight (in lbs)			
										Style A	Style B	Style D	Style E
1 1/2"	1.58"	1.98"	1.02"	2.47"	2.30"	2.08"	2.45"	.20"	1/8" NPT	.20	.30	.25	.25
2"	1.98"	2.21"	1.19"	3.05"	2.28"	2.40"	2.76"	.24"	1/4" NPT*	.35	.45	.40	.40
2 1/2"	2.40"	2.25"	1.18"	3.45"	3.18"	2.90"	3.42"	.25"	1/4" NPT*	.45	.55	.50	.55

* 1/8" NPT available w/ min. order. Add -8N to end of model #.

Ordering Example: CF 1 P - 350 A

Model	Size	Type	Pressure Range	Style
CF =	*4 = 1 1/2" dia.	C = Compound	002 = 30" Hg - 30 psi**	A = Stem
Glycerine-filled	5 = 2" dia.	V = Vacuum	000 = 30" Hg - 0 psi	B = Panel Clamp
Gauge	1 = 2 1/2" dia.	P = Pressure	001 = 15 psi	D = Center Back
			002 = 30 psi	E = Panel Flange
			004 = 60 psi	
			007 = 100 psi	
			010 = 160 psi	
			015 = 200 psi	
			020 = 300 psi	
			040 = 600 psi	
			070 = 1000 psi	
			100 = 1500 psi	
			140 = 2000 psi	
			210 = 3000 psi	
			280 = 4000 psi	
			350 = 5000 psi	
			420 = 6000 psi	
			700 = 10,000 psi	

Some size/range combinations may only be available by special order.

*Note: 1 1/2" dia. is limited to 6000 psi

**Additional compound ranges may be available by special order.

Logo and custom gauge faces available with minimum 100 piece order. Call for details.

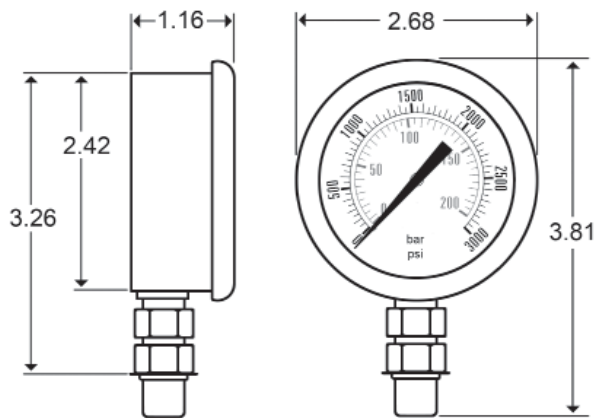
CF Series (SAE) Gauges 2 1/2" • Glycerine-Filled • SAE Swivel Mount

Features

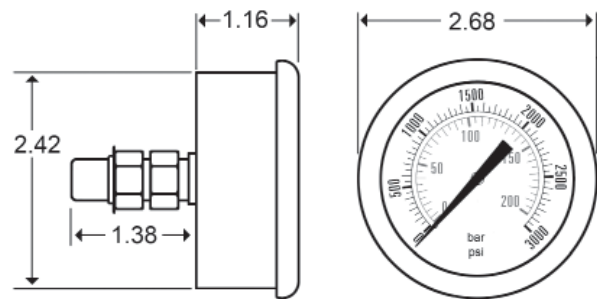
- 304 Stainless Steel Case & Bezel
- Phosphor Bronze Bourdon Tube
- SAE 7/16-20 Bronze Connection
- Polycarbonate Lens
- Built-in Snubber
- Range: Vacuum to 10,000 psi
- Dual Scale: psi & bar
- Accuracy: $\pm 1.6\%$ FSD
- Temperature Range: -13° to 180°F
- Certificate of Accuracy Available
(see page 14 for details)



Installation Data



Style A



Style D

Ordering Example:

Model	Size	Type	Range	Style	Port Size
CF	1	P	210	A	SAE

Model	Size	Type	Pressure Range	Style	Port Size
CF = Glycerine-filled Gauge	1 = 2 1/2"	C = Compound V = Vacuum P = Pressure	002 = 30" Hg - 30 psi** 000 = 30" Hg - 0 psi 001 = 15 psi 070 = 1000 psi 002 = 30 psi 100 = 1500 psi 004 = 60 psi 140 = 2000 psi 007 = 100 psi 210 = 3000 psi 010 = 160 psi 280 = 4000 psi 015 = 200 psi 350 = 5000 psi 020 = 300 psi 420 = 6000 psi 040 = 600 psi 700 = 10,000 psi	A = Stem D = Center Back*	7/16-20 SAE

*Special order - minimum quantities may apply.

*Additional compound ranges may be available by special order.

Logo and custom gauge faces available with minimum 100 piece order. Call for details.



FLUID COMPONENTS, INC.

PDLC Series Gauges

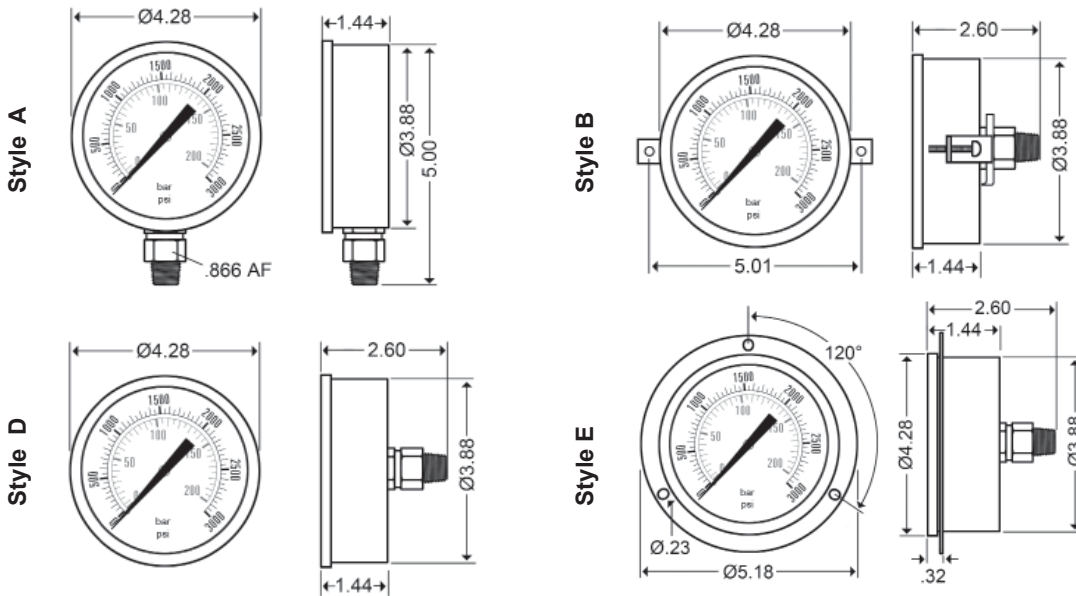
4" • Low-Cost Glycerine-Filled Gauges

Features

- 304 Stainless Steel Case & Bezel
- Phosphor Bronze Bourdon Tube
- Bronze 1/4" NPT Connection
- Polycarbonate Lens
- Built-in Snubber
- Range: 15 psi to 10,000 psi
- Dual Scale: psi & bar
- Accuracy: ± 2% FSD
- Temperature Range: -13° to 180°F
- Certificate of Accuracy Available
(see page 14 for details)



Installation Data



1/4" NPT is standard connection for all PDLC gauges.

Weight (in lbs)			
Style A	Style B	Style D	Style E
1.20	1.45	1.25	1.30

Ordering Example:

Model	Size	Type	Range	Style
PDLC	2	P	070	A

Model	Size	Type	Pressure Range	Style	
PDLC = Low cost, glycerine-filled 4" gauge	2 = 4" dia.	P = Pressure	001 = 15 psi 002 = 30 psi 004 = 60 psi 007 = 100 psi 010 = 160 psi 015 = 200 psi 020 = 300 psi 040 = 600 psi	070 = 1000 psi 100 = 1500 psi 140 = 2000 psi 210 = 3000 psi 280 = 4000 psi 350 = 5000 psi 420 = 6000 psi 700 = 10,000 psi	A = Stem B = Panel Clamp D = Center Back E = Panel Flange

*Some pressure range / mount configurations may require special order.

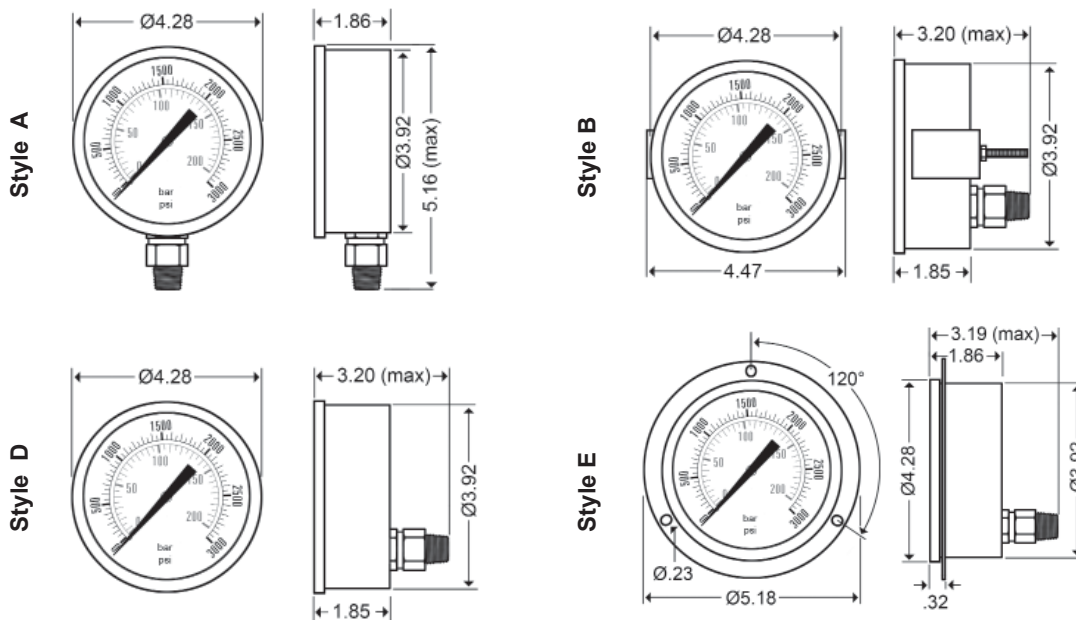
CFC Series Gauges 4" • Glycerine-Filled Gauges

Features

- 304 Stainless Steel Case & Bezel
- Phosphor Bronze Bourdon Tube
- Bronze connection
- Polycarbonate Lens
- Built-in Snubber
- Range: Vacuum to 10,000 psi
- Dual Scale: psi & bar
- Accuracy: $\pm 1\%$ FSD
- Temperature Range: -13° to 180°F
- Certificate of Accuracy Available
(see page 14 for details)



Installation Data



1/4" NPT is standard connection for 600 psi and below;
1/2" NPT is standard for 1000 psi and above

Weight (in lbs)			
Style A	Style B	Style D	Style E
1.55	1.75	1.65	1.70

Ordering Example:

Model	Size	Type	Range	Style
CFC	2	P	- 350	A

Model	Size	Type	Pressure Range	Style
CFC = Glycerine-filled 4" Gauge	2 = 4" dia.	C = Compound V = Vacuum P = Pressure	002 = 30" Hg - 30 psi** 000 = 30" Hg - 0 psi 001 = 15 psi 002 = 30 psi 004 = 60 psi 007 = 100 psi 010 = 160 psi 015 = 200 psi 020 = 300 psi 040 = 600 psi 070 = 1000 psi 100 = 1500 psi 140 = 2000 psi 210 = 3000 psi 280 = 4000 psi 350 = 5000 psi 420 = 6000 psi 700 = 10,000 psi	A = Stem B = Panel Clamp D = Lower Back E = Panel Flange

**Additional compound ranges may be available by special order.



FLUID COMPONENTS, INC.

PDSS Series Gauges

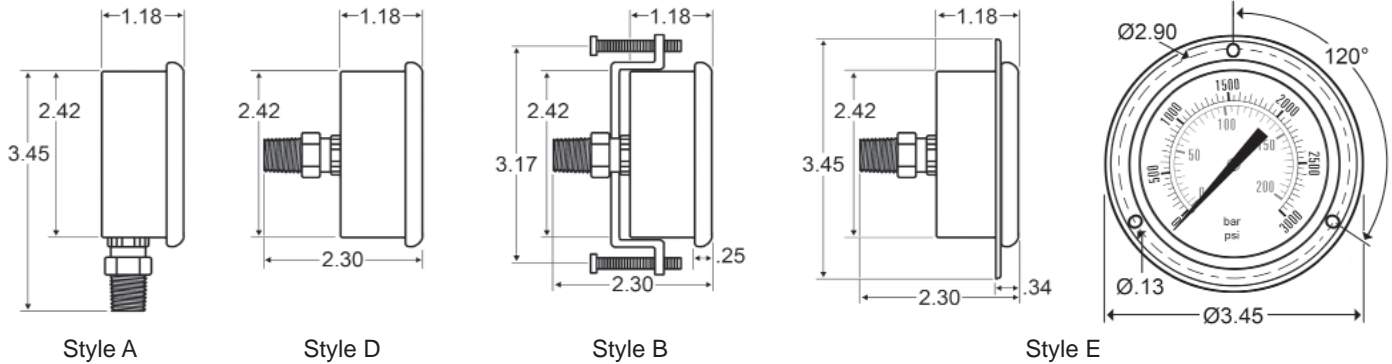
2 1/2" • All Stainless Steel Gauges

Features

- 304 Stainless Steel Case
- 316 Stainless Steel Connection
- 316 Stainless Steel Bourdon Tube
- Built-in Snubber
- Polycarbonate Lens
- Liquid-Filled & Dry Options
- Ambient Temp: -13° F to 150°F
- Max. Process Temp: 750°F
- Range: Vacuum to 15,000 psi
- Dual Scale: psi & bar
- Accuracy: ± 1.6% FSD
- Certificate of Accuracy Available (see page 14 for details)



Installation Data



Weight (in lbs)			
Style A	Style B	Style D	Style E
.45	.55	.50	.55

1/4" NPT is the standard connection for all 2 1/2" PDSS gauges.

Ordering Example: Model **PDSS** - Size **1** Type **P** - Range **040** Style **A** - Options **001**

Model	Size	Type	Pressure Range	Style	Options
PDSS = All Stainless Steel Gauges	1 = 2 1/2" dia.	C = Compound V = Vacuum P = Pressure	002 = 30" Hg -30 psi** 000 = 30" Hg - 0 psi 001 = 15 psi 002 = 30 psi 004 = 60 psi 007 = 100 psi 010 = 160 psi 015 = 200 psi 020 = 300 psi 040 = 600 psi 070 = 1000 psi	A = Stem B = Panel Clamp D = Center Back E = Panel Flange	001 = Glycerine-filled 002 = Dry*

* Special Order
**Additional compound ranges may be available by special order.

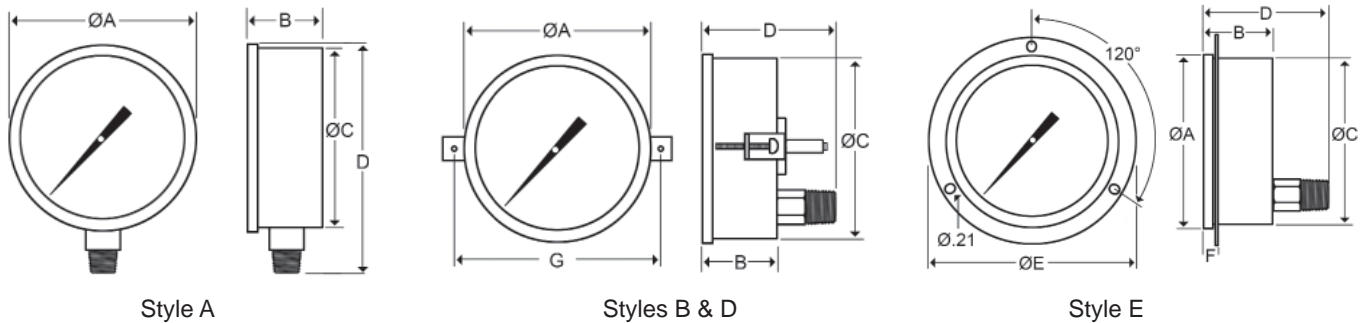
PDSS Series Gauges 4" • All Stainless Steel Gauges

Features

- 304 Stainless Steel Case
- 316 Stainless Steel Connection
- 316 Stainless Steel Bourdon Tube
- Built-in Snubber
- Polycarbonate Lens
- Liquid-Filled & Dry Options
- Range: Vacuum to 30,000 psi
- Single Scale: psi
- Ambient Temp: -13° F to 150°F
- Max. Process Temp: 750°F
- Accuracy: ± 1% FSD
- Certificate of Accuracy Available (see page 14 for details)



Installation Data



Style	A	B	C	D*	E	F	G	Weight
A - Stem	4.28"	1.84"	3.87"	5.30" (1/4" NPT) 5.36" (1/2" NPT)	-	-	-	1.55
B - Panel Clamp	4.28"	1.87"	3.87"	3.10" (1/4" NPT) 3.20" (1/2" NPT)	-	-	5.00"	1.75
D - Lower Back	4.28"	1.87"	3.87"	3.10" (1/4" NPT) 3.20" (1/2" NPT)	-	-	-	1.65
E - Panel Flange	4.28"	1.87"	3.87"	3.10" (1/4" NPT) 3.20" (1/2" NPT)	5.13"	.27"	-	1.70

*1/4" NPT is standard connection for 600 psi and below; 1/2" NPT is standard for 1000 psi and above

Ordering Example:

Model	Size	Type	Range	Style	Options
PDSS	2	P	070	D	001

Model	Size	Type	Pressure Range	Style	Options
PDSS = All Stainless Steel Gauges	2 = 4" dia.	C = Compound V = Vacuum P = Pressure	002 = 30" Hg -30 psi** 000 = 30" Hg - 0 psi 001 = 15 psi 002 = 30 psi 004 = 60 psi 007 = 100 psi 010 = 160 psi 015 = 200 psi 020 = 300 psi 040 = 600 psi 070 = 1000 psi	A = Stem B = Panel Clamp D = Lower Back E = Panel Flange	001 = Glycerine-filled 002* = Dry
			100 = 1500 psi 140 = 2000 psi 210 = 3000 psi 280 = 4000 psi 350 = 5000 psi 420 = 6000 psi 700 = 10,000 psi 800 = 15,000 psi 900 = 20,000 psi 950 = 30,000 psi		

* Special Order

**Additional compound ranges may be available by special order.



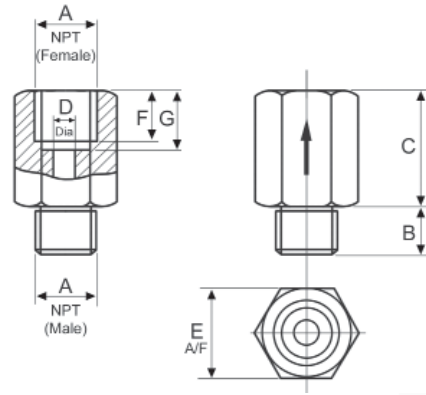
FLUID COMPONENTS, INC.

Pressure Gauge Accessories

Gauge Snubbers

By fitting with a snubber, a pressure gauge is protected from harmful pressure surges and pulsations which would otherwise overload the gauge mechanism.

The 1/4" NPT snubber has a helically formed oilway with a small orifice through which fluid must pass to reach the gauge. This provides high resistance to smooth out surges and pulses, yet allows rapid responses and steady gauge readings.



Model #	A	B	C	D	E	F	G	Material	Rated Pressure	Weight
PDD-4B	1/4" NPT	.52"	.94"	.20"	.71"	.43"	.55"	Brass	10,000 psi	.15 lbs
PDD-4-04SAE	04-SAE	.52"	.94"	.20"	.71"	.43"	.55"	Steel	10,000 psi	.10 lbs

Gauge Protectors

Dynamic recommends the use of our Buna N rubber housing gauge protector on our standard 2 1/2" stem mount & center back mount gauges (style "A" or "D"). This saves damage to the gauge should it be dropped or bumped.
Weight: 0.10 lbs



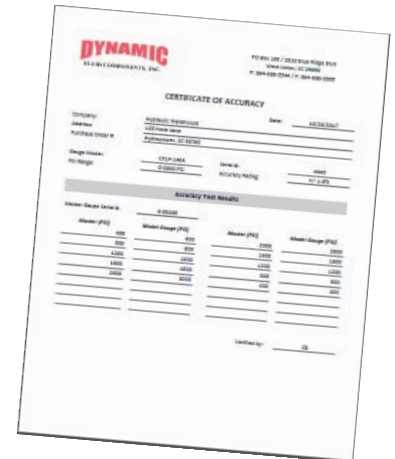
Order by Model #: GP-40N

Certificate of Accuracy

Dynamic offers in-house generated certificates of accuracy for all gauges up to 10,000 psi. Gauges are tested against a calibrated PDTG Test Gauge with .6% accuracy and the pressure of both gauges is documented at predetermined increments from 0 psi to maximum pressure then back to 0 psi. Customers are provided with a certificate documenting all pressure readings, as well as the serial number which matches the gauge tested.

Certificates of Accuracy produced at Dynamic Fluid Components do not conform with ANSI or NIST standards. Should this additional level certification be required, the customer would need to obtain it independently from a third-party source.

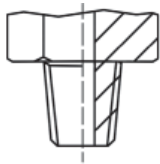
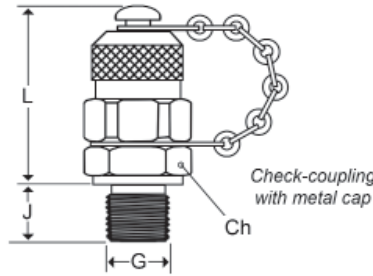
To order, add "Certificate of Accuracy" as a separate line item.
There is a set fee per gauge for these certificates.



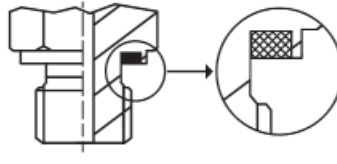
D1620 Series - M16 x 2.0 Test Point Plugs

Features

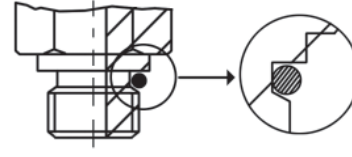
- Connects Under Full Pressure
- Rated at 9000 psi
- All Steel Construction
- Buna Seals are Standard



Form C



Form E



Form F

Model #	Form	Max. Pressure	Ch.	J	G	Weight
D1620-01-18NPT	C	5800 psi	.67"	.37"	1/8" NPT	.15 lbs
D1620-01-14NPT	C	9000 psi	.67"	.55"	1/4" NPT	.15 lbs
D1620-01-04SAE	F	9000 psi	.67"	.43"	04-SAE	.15 lbs
D1620-01-06SAE	F	9000 psi	.75"	.47"	06-SAE	.15 lbs
D1620-01-08SAE	F	9000 psi	.87"	.55"	08-SAE	.15 lbs
D1620-01-M10X1	E	9000 psi	.67"	.33"	M10X1	.15 lbs
D1620-01-M12x1.5	E	9000 psi	.67"	.47"	M12x1.5	.15 lbs
D1620-01-M14x1.5	E	9000 psi	.75"	.47"	M14x1.5	.15 lbs
D1620-01-M16x1.5	E	9000 psi	.87"	.47"	M16x1.5	.15 lbs
D1620-01-18BSPP	E	9000 psi	.67"	.32"	1/8" BSPP	.15 lbs
D1620-01-14BSPP	E	9000 psi	.75"	.47"	1/4" BSPP	.15 lbs
D1620-01-38BSPP	E	9000 psi	.87"	.47"	3/8" BSPP	.15 lbs

DGA1620 Series - M16 x 2.0

Test Point Probe



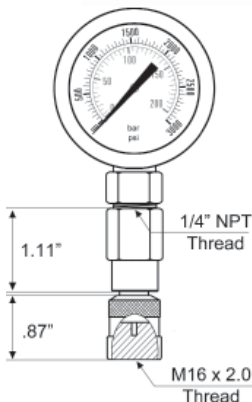
DGA1620 Test Point Probes are designed to connect directly to the D1620 Test Point Plugs (above). When fitted with the desired pressure gauge, the system pressure is released into the gauge's bourdon tube as the probe opens the test point valve. It can be connected and disconnected under pressure. This provides a precise means to monitor system pressure without turning the system off. Weight: 0.15 lbs

Model #: DGA1620 Test Point Probe*

Gauge Protectors

Dynamic recommends the use of a gauge protector Buna N rubber housing when using a test point probe. This saves damage to the gauge should it be dropped or bumped during the test proceedings. Gauge Protectors can be ordered using model #: GP-40N. See page 15.

*Test Point Probe does not include gauge.





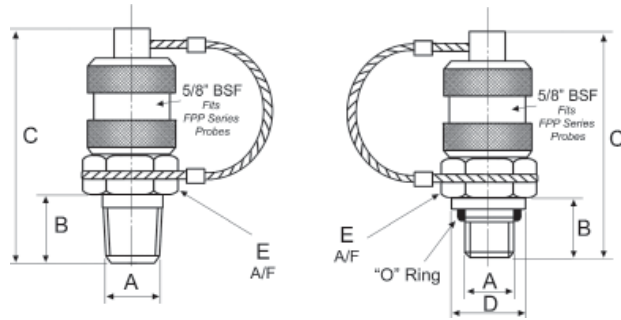
FLUID COMPONENTS, INC.

FTP Series Test Point Plugs

Features

- Dynamic Special Design
- Rated at 6000 psi
- Buna Seals are Standard
- Connects Under Full Pressure
- All Steel Construction

Dynamic test point plugs and probes are designed to monitor hydraulic system conditions without system shutdown to connect the pressure gauge. These test plugs are fitted as a “standard” into the mobile or industrial application where eventual system monitoring is required.



Model #'s and Dimensional Information

Model #	A Thread	B	C	D	E	Max. Torque	Weight	Seal Kits Buna-N* Viton*
FTP-02N	1/8" NPT	.39"	1.81"	--	.75"	180 lbs	.15 lbs	SK-115-N SK-115
FTP-04N	1/4" NPT	.56"	1.87"	--	.82"	180 lbs	.17 lbs	SK-115-N SK-115
FTP-04S	7/16-20 SAE	.36"	1.81"	.71"	.75"	180 lbs	.17 lbs	SK-115-N SK-115

*Special Order Only



FPP Series Test Point Probe

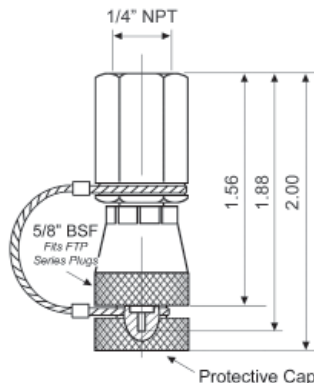
FPP Test Point Probes are designed to connect directly to the FTP Test Point Plugs (above). When fitted with the desired pressure gauge, the system pressure is released into the gauge's bourdon tube as the probe opens the test point valve. It can be connected and disconnected under pressure. This provides a precise means to monitor system pressure without turning the system off. Weight: 0.15 lbs

Model #: FPP-04N

For complete model with a liquid-filled gauge, add the gauge model # to the probe model # (i.e. FPP-04N-CF1P-210A is a plug assembly fitted with a 2 1/2", 0-3000 psi stem mount gauge). See page 8 for 2 1/2" pressure gauge data.

Gauge Protectors

Dynamic recommends the use of a gauge protector Buna N rubber housing when using a test point probe. This saves damage to the gauge should it be dropped or bumped during testing. Gauge Protectors can be ordered using model #: GP-40N. See page 14.

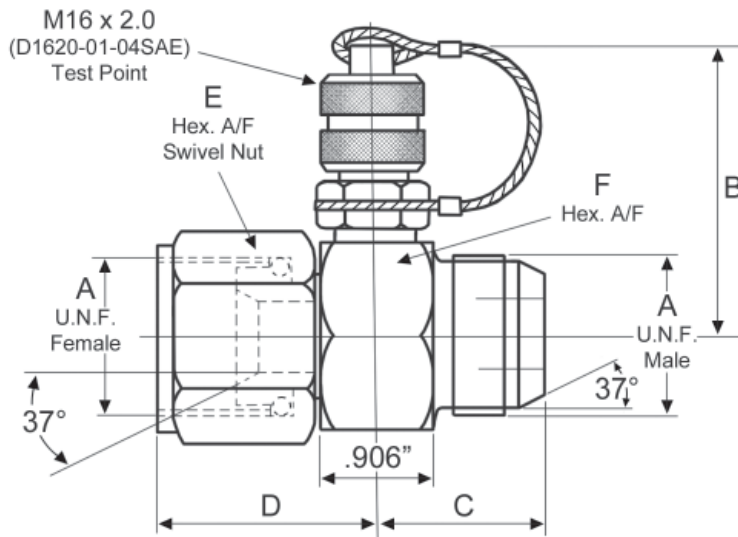


Features

- 6,000 psi Working Pressure
- Fitted with Hydra-Test Point Plug
- Can be Used With Direct or Remote Test Probes
- For J.I.C. 37° Hose Sizes: 7/16" - 1 7/8" UNF
- Can be Connected and Disconnected at Full System Pressure

Install Hydra-Test J.I.C. Hose Couplings between the female swivel nut of the flexible hose and the fixed male connection. The integrated test point may be used with Dynamic test probes and/or test kits to obtain random pressure and temperature checks during servicing or fault finding. Fluid sampling probes are also compatible.

All probes may be connected and disconnected at full pressure without fluid loss or ingress of dirt.



Model #'s and Dimensional Information

Model #	A	B	C	D	E	F	Weight	Seal Kit	
								Nitrile*	Viton*
HSP1040-4	7/16"-20 UNF	2.01"	1.00"	1.22"	.56"	1.12"	.30 lbs	SK114N*	SK114V*
HSP1040-5	1/2"-20 UNF	2.01"	1.00"	1.30"	.62"	1.12"	.45 lbs		
HSP1040-6	9/16"-20 UNF	2.01"	1.01"	1.36"	.69"	1.12"	.30 lbs		
HSP1040-8	3/4"-16 UNF	2.01"	1.11"	1.33"	.87"	1.12"	.35 lbs		
HSP1040-10	7/8"-14 UNF	2.14"	1.23"	1.51"	1.00"	1.37"	.45 lbs		
HSP1040-12	1 1/16"-12 UNF	2.14"	1.31"	1.64"	1.25"	1.37"	.55 lbs		
HSP1040-16	1 5/16"-12 UNF	2.30"	1.36"	1.72"	1.50"	1.69"	.80 lbs		
HSP1040-20	1 5/8"-12 UNF	2.61"	0.96"	1.77"	2.05"	2.00"	1.25 lbs		
HSP1040-24	1 7/8"-12 UNF	2.98"	1.08"	1.89"	2.20"	2.22"	1.60 lbs		

*Special Order Only



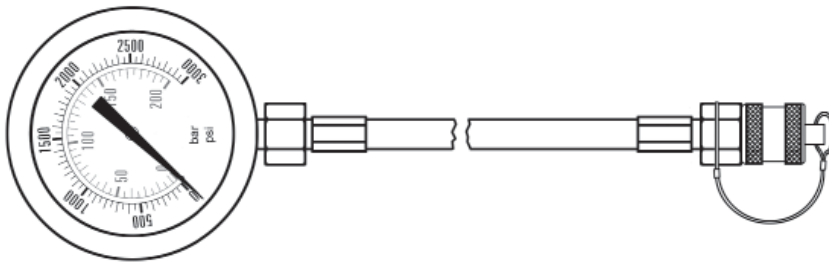
FLUID COMPONENTS, INC.

Hydra-Test J.I.C.

Hose Assemblies

Dynamic hose assemblies are designed for use with Dynamic test plugs, pipe couplings and standpipe adaptors. Together, they facilitate pressure readings on a random basis throughout a hydraulic system. Probes may be connected or disconnected with the system at full working pressure without loss of oil or ingress of dirt. Use of test points saves the installation of multiple pipework and gauges. Hose assemblies are also available fitted with a pressure gauge.

Test Hose OD: 5mm / ID: 2mm
 Maximum Hose Pressure: 9000 psi



Standard Hose Lengths		
12"	24"	36"
48"	60"	72"

Please specify in inches if other lengths are required. Minimum length is 12".

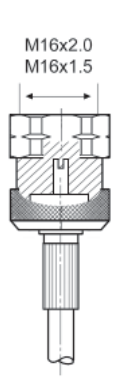
Ordering Example: Model **DHA** - End Fitting **FTP** - Length **12** - End Fitting **4F**

Model	End Fitting	Hose Length	End Fitting
DHA = Dynamic Hose Assembly	See codes on next page	Length in inches	See codes on next page

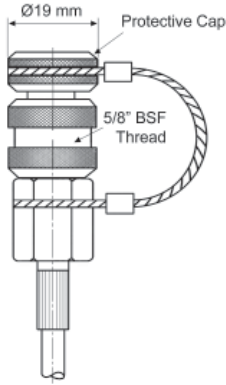
Note: If you require a gauge assembled to the hose assembly, please add the gauge number to the end of the part number.

Hydra-Test End Fittings

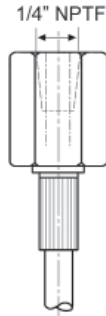
- Optional End Fittings
- Up to 9000 psi Working Pressure
- Choice of Hose Lengths
- Passivated Steel Components



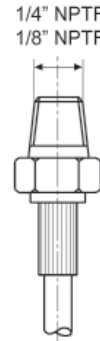
Code HSP
Connects to
D1620 test points
Code HSP1.5



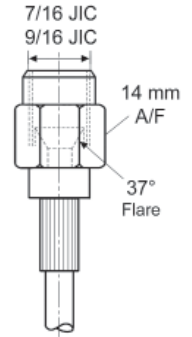
Code FTP
Connects to
FTP test points



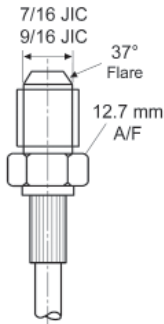
Code 4F



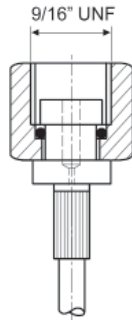
Code 4M
Code 2M



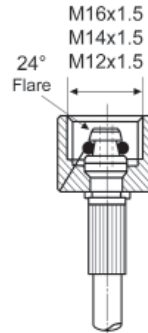
Code 7/16F
Code 9/16F



Code 7/16M
Code 9/16M

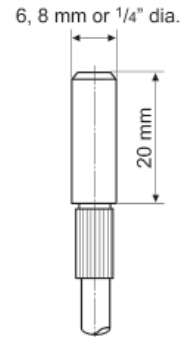


Code 9/16C

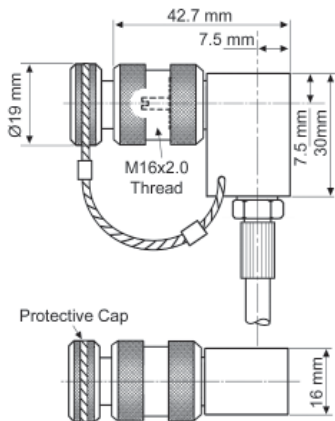


Heavy
Code M16H
Code M14H
Code M12H

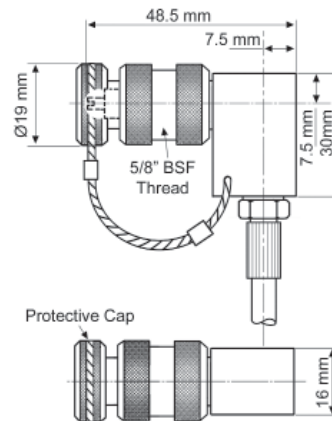
Light
Code M16L
Code M14L
Code M12L



Code 6MSP
Code 8MSP
Code 4MSP



Code HSP90



Code FTP90



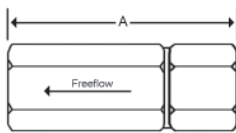
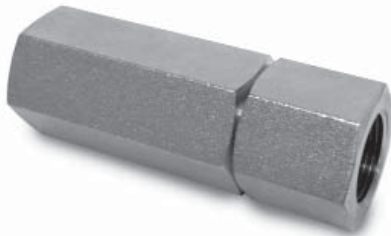
FLUID COMPONENTS, INC.

HSP & VU Series Check Valves

Model HSP - Hard Seat

Features

- Carbon Steel Construction
- 5 lb or 65 lb Cracking Pressure
- Metal to Metal Seal



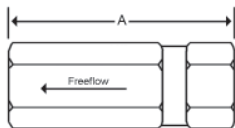
Model #'s & Dimensional Information

Model #	Thread Size	A	B	Rated Flow (gpm)	Rated Pressure (psi)	Weight (lbs)
HSP-1000-2-5 or 65	1/4" NPT	2.44"	.87"	6	5000	.35
HSP-1000-3-5 or 65	3/8" NPT	2.87"	1.00"	10	5000	.44
HSP-1000-4-5 or 65	1/2" NPT	3.76"	1.26"	18	5000	.77
HSP-1000-6-5 or 65	3/4" NPT	4.30"	1.50"	30	5000	1.54
HSP-1000-8-5 or 65	1" NPT	5.12"	1.69"	36	5000	2.43
HSP-1000-10-5 or 65	1 1/4" NPT	5.56"	2.40"	50	3000	6.95
HSP-1000-12-5 or 65	1 1/2" NPT	5.56"	2.56"	60	3000	7.28
HSP-1001-4-5 or 65	7/16"-20 SAE	2.56"	.87"	6	5000	.35
HSP-1001-6-5 or 65	9/16"-20 SAE	2.91"	.94"	10	5000	.44
HSP-1001-8-5 or 65	3/4"-16 SAE	3.74"	1.18"	18	5000	.77
HSP-1001-10-5 or 65	7/8"-14 SAE	3.75"	1.26"	24	4500	1.00
HSP-1001-12-5 or 65	1 1/16"-12 SAE	4.23"	1.42"	30	3000	1.54
HSP-1001-16-5 or 65	1 5/16"-12 SAE	5.00"	1.81"	36	3000	2.43
HSP-1001-20-5 or 65	1 5/8"-12 SAE	5.20"	2.41"	50	3000	6.95
HSP-1001-24-5 or 65	1 7/8"-12 SAE	5.20"	2.56"	60	3000	7.28

Model VU - Soft Seat

Features

- Carbon Steel Construction
- 7 lb or 70 lb Cracking Pressure
- Buna-N Seal



Model #'s & Dimensional Information

Model #	Thread Size	A	B	Rated Flow (gpm)	Rated Pressure (psi)	Weight (lbs)
VU14F-7 or 70	1/4" NPT	2.83"	.87"	10.6	10,000	.35
VU38F-7 or 70	3/8" NPT	3.30"	1.03"	13.2	10,000	.44
VU12F-7 or 70	1/2" NPT	3.78"	1.18"	18.5	7,250	.77
VU34F-7 or 70	3/4" NPT	4.28"	1.50"	26.4	7,250	1.54
VU1F-7 or 70	1" NPT	4.96"	1.81"	39.6	7,250	2.43

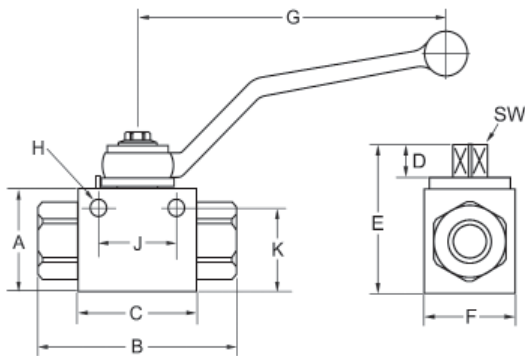
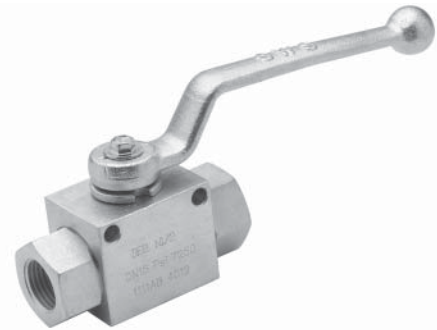
DE2/DB2 High Pressure Series 2-way Ball Valves

Features

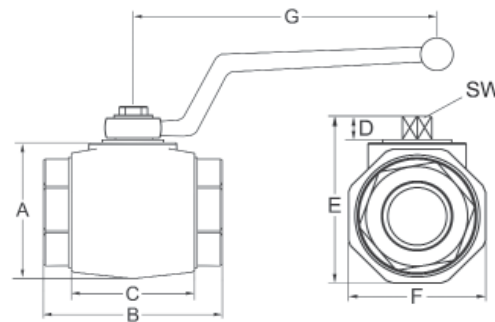
- Mounting Holes on DE models
- 1/4" - 2" Sizes - NPT and SAE
- Full and Reduced Port
- Blow-Out Proof Stems
- Max Pressure: Up to 7250 psi
- Max Temperature: 215°F

Materials

- Carbon Steel Construction
- Standard Seals: Buna-N;
Seat: POM; Stem: Teflon;
other seals by special order
- Chrome-plated Steel Ball



DE Model



DB Model

Model #'s & Dimensional Information

Model #	Thread	psi	Port	A	B	C	D	E	F	G	H	J	K	SW	Weight
DE2-14NPT	1/4" NPT	7250	.24	1.27	2.71	1.45	.37	1.75	1.10	4.51	.18	1.03	1.05	.32	1.0 lb
DE2-38NPT	3/8" NPT	7250	.39	1.58	2.84	1.65	.41	2.08	1.27	4.51	.26	1.24	1.38	.32	1.5 lb
DE2-12NPT	1/2" NPT	7250	.51	1.58	3.27	1.90	.41	2.08	1.39	4.51	.26	1.46	1.38	.32	1.5 lb
DE2-34NPT	3/4" NPT	5800	.79	2.25	3.74	2.36	.55	2.97	1.90	6.38	.26	1.76	1.99	.39	3.5 lb
DE2-1-NPT	1" NPT	5000	.98	2.53	4.45	2.56	.55	3.25	2.25	6.38	.26	2.17	2.29	.39	5.0 lb
DE2-114R-NPT <i>Reduced Port</i>	1 1/4" NPT	5000	.98	2.53	4.73	2.56	.55	3.25	2.37	6.38	.26	2.17	2.29	.39	5.5 lb
DE2-112R-NPT <i>Reduced Port</i>	1 1/2" NPT	5000	.98	2.53	4.85	2.56	.55	3.25	2.37	6.38	.26	2.17	2.29	.39	6.0 lb
DB2-114-NPT	1 1/4" NPT	5000	1.26	3.43	4.72	3.31	.63	4.26	3.22	9.00	-	-	-	.51	9.0 lb
DB2-112-NPT	1 1/2" NPT	5000	1.57	3.92	5.13	3.58	.63	5.01	3.66	9.00	-	-	-	.51	11.5 lb
DB2-2-NPT	2" NPT	5000	1.97	4.52	5.52	3.94	.63	5.33	4.31	9.00	-	-	-	.51	15.5 lb

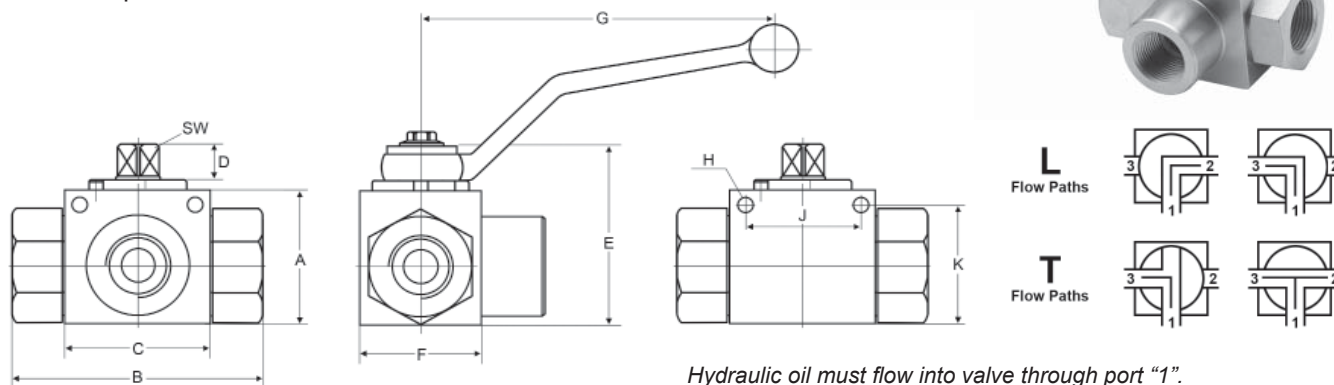
Model #	Thread	psi	Port	A	B	C	D	E	F	G	H	J	K	SW	Weight
DE2-04-SAE	7/16"-20	7250	.24	1.27	2.71	1.45	.37	1.75	1.10	4.51	.18	1.03	1.05	.32	1.0 lb
DE2-06-SAE	9/16"-18	7250	.39	1.58	2.84	1.65	.41	2.08	1.27	4.51	.26	1.24	1.38	.32	1.5 lb
DE2-08-SAE	3/4"-16	7250	.51	1.58	3.27	1.90	.41	2.08	1.39	4.51	.26	1.46	1.38	.32	1.5 lb
DE2-12-SAE	1 1/16"-12	5800	.79	2.25	3.74	2.36	.55	2.97	1.90	6.38	.26	1.76	1.99	.39	3.5 lb
DE2-16-SAE	1 5/16"-12	5000	.98	2.53	4.45	2.56	.55	3.25	2.25	6.38	.26	2.17	2.29	.39	5.0 lb
DE2-20R-SAE <i>Reduced Port</i>	1 5/8"-12	5000	.98	2.53	4.73	2.56	.55	3.25	2.37	6.38	.26	2.17	2.29	.39	5.5 lb
DE2-24R-SAE <i>Reduced Port</i>	1 7/8"-12	5000	.98	2.53	4.85	2.56	.55	3.25	2.37	6.38	.26	2.17	2.29	.39	6.0 lb
DB2-20-SAE	1 5/8"-12	5000	1.26	3.43	4.72	3.31	.63	4.26	3.22	9.00	-	-	-	.51	9.0 lb
DB2-24-SAE	1 7/8"-12	5000	1.57	3.92	5.13	3.58	.63	5.01	3.66	9.00	-	-	-	.51	11.5 lb
DB2-32-SAE	2 1/2"-12	5000	1.97	4.52	5.52	3.94	.63	5.33	4.31	9.00	-	-	-	.51	15.5 lb

Features

- Mounting Holes on DE models
- 1/4" - 2" Sizes - NPT and SAE
- Full and Reduced Port
- Blow-Out Proof Stems
- Max Pressure: Up to 5880 psi
- Max Temperature: 215°F

Materials

- Carbon Steel Construction
- Standard Seals: Buna-N; Seat: POM; Stem: Teflon; other seals by special order
- Chrome-plated Steel Ball



Hydraulic oil must flow into valve through port "1".
The valve can only be sealed under one of two conditions:
1) Pressure at the closed port is zero;
2) Pressure at the closed port is lower than at the two open ports.

Model #'s & Dimensional Information

Model #	Thread	psi	Port	A	B	C	D	E	F	G	H	J	K	SW	Weight
DE3L-14-NPT	1/4" NPT	5880	.24	1.27	2.72	1.46	.38	1.78	1.11	4.51	.18	1.02	1.07	.32	1.0 lb
DE3L-38-NPT	3/8" NPT	5880	.39	1.58	2.84	1.65	.38	2.08	1.26	4.51	.26	1.23	1.38	.32	1.5 lbs
DE3L-12-NPT	1/2" NPT	5145	.51	1.58	2.28	1.90	.38	2.08	1.37	4.51	.26	1.46	1.38	.32	2.0 lbs
DE3L-34-NPT	3/4" NPT	5145	.79	2.27	3.74	2.36	.55	2.97	1.89	6.38	.26	1.77	2.01	.39	4.0 lbs
DE3L-1-NPT	1" NPT	5145	.98	2.52	4.45	2.56	.55	3.25	2.24	6.38	.26	2.17	2.27	.39	5.5 lbs
DE3L-114R-NPT <i>Reduced Port</i>	1 1/4" NPT	4500	.98	2.53	4.72	2.56	.55	3.25	2.36	6.38	.26	2.17	2.29	.39	6.0 lbs
DE3L-112R-NPT <i>Reduced Port</i>	1 1/2" NPT	4500	.98	2.53	4.84	2.56	.55	3.25	2.36	6.38	.26	2.17	2.29	.39	6.5 lbs
DB3L-114-NPT	1 1/4" NPT	4500	1.26	3.31	4.73	3.31	.67	4.14	2.96	9.00	-	-	-	.51	10.5 lbs
DB3L-112-NPT	1 1/2" NPT	4500	1.57	3.74	5.14	3.59	.67	4.61	3.35	9.00	-	-	-	.51	14.0 lbs
DB3L-2-NPT	2" NPT	4500	1.97	4.43	5.51	3.94	.67	5.18	4.14	9.00	-	-	-	.51	20.0 lbs

Model #	Thread	psi	Port	A	B	C	D	E	F	G	H	J	K	SW	Weight
DE3L-04 SAE	7/16"-20	5880	.24	1.27	2.72	1.46	.38	1.78	1.11	4.51	.18	1.02	1.07	.32	1.0 lb
DE3L-06 SAE	9/16"-18	5880	.39	1.58	2.84	1.65	.38	2.08	1.26	4.51	.26	1.23	1.38	.32	1.5 lbs
DE3L-08 SAE	3/4"-16	5145	.51	1.58	2.28	1.90	.38	2.08	1.37	4.51	.26	1.46	1.38	.32	2.0 lbs
DE3L-12 SAE	1 1/16"-12	5145	.79	2.27	3.74	2.36	.55	2.97	1.89	6.38	.26	1.77	2.01	.39	4.0 lbs
DE3L-16 SAE	1 5/16"-12	5145	.98	2.52	4.45	2.56	.55	3.25	2.24	6.38	.26	2.17	2.27	.39	5.5 lbs
DE3L-20R SAE <i>Reduced Port</i>	1 5/8"-12	4500	.98	2.53	4.72	2.56	.55	3.25	2.36	6.38	.26	2.17	2.29	.39	6.0 lbs
DE3L-24R SAE <i>Reduced Port</i>	1 7/8"-12	4500	.98	2.53	4.84	2.56	.55	3.25	2.36	6.38	.26	2.17	2.29	.39	6.5 lbs
DB3L-20 SAE	1 5/8"-12	4500	1.26	3.31	4.73	3.31	.67	4.14	2.96	9.00	-	-	-	.51	10.5 lbs
DB3L-24 SAE	1 7/8"-12	4500	1.57	3.74	5.14	3.59	.67	4.61	3.35	9.00	-	-	-	.51	14.0 lbs
DB3L-32 SAE	2 1/2"-12	4500	1.97	4.43	5.51	3.94	.67	5.18	4.14	9.00	-	-	-	.51	20.0 lbs

"L" Port Standard. "T" Port available by special order, with minimum quantity.

DE3K/DB3K High Pressure Series 3-way Ball Valves

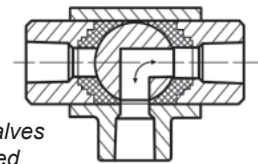
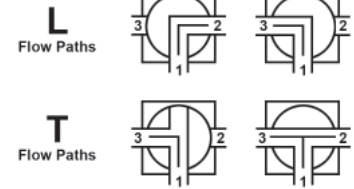
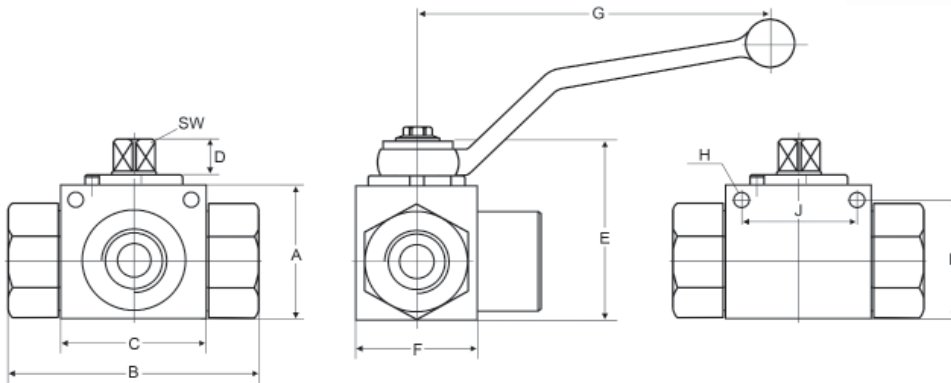
Available by Special Order Only

Features

- Mounting Holes on DE models
- 1/4" - 2" Sizes - NPT and SAE
- Full and Reduced Port
- Blow-Out Proof Stems
- Max Pressure: Up to 5880 psi
- Max Temperature: 215°F

Materials

- Carbon Steel Construction
- Standard Seals: Buna-N;
Seat: POM; Stem: Teflon;
other seals by special order
- Chrome-plated Steel Ball



* Dynamic seals in DE3K series valves allow for higher pressure at closed port without leakage.

Model #'s & Dimensional Information

Model #	Thread	psi	Port	A	B	C	D	E	F	G	H	J	K	SW	Weight
DE3K*-14-NPT	1/4" NPT	5880	.24	1.27	2.72	1.46	.38	1.78	1.11	4.51	.18	1.02	1.07	.32	1.0 lb
DE3K*-38-NPT	3/8" NPT	5880	.39	1.58	2.84	1.65	.38	2.08	1.26	4.51	.26	1.23	1.38	.32	1.5 lbs
DE3K*-12-NPT	1/2" NPT	5145	.51	1.58	2.28	1.90	.38	2.08	1.37	4.51	.26	1.46	1.38	.32	2.0 lbs
DE3K*-34-NPT	3/4" NPT	5145	.79	2.27	3.74	2.36	.55	2.97	1.89	6.38	.26	1.77	2.01	.39	4.0 lbs
DE3K*-1-NPT	1" NPT	5145	.98	2.52	4.45	2.56	.55	3.25	2.24	6.38	.26	2.17	2.27	.39	5.5 lbs
DE3K*-114R-NPT <i>Reduced Port</i>	1 1/4" NPT	4500	.98	2.53	4.72	2.56	.55	3.25	2.36	6.38	.26	2.17	2.29	.39	6.0 lbs
DE3K*-112R-NPT <i>Reduced Port</i>	1 1/2" NPT	4500	.98	2.53	4.84	2.56	.55	3.25	2.36	6.38	.26	2.17	2.29	.39	6.5 lbs

Model #	Thread	psi	Port	A	B	C	D	E	F	G	H	J	K	SW	Weight
DE3K*-04 SAE	7/16"-20	5880	.24	1.27	2.72	1.46	.38	1.78	1.11	4.51	.18	1.02	1.07	.32	1.0 lb
DE3K*-06 SAE	9/16"-18	5880	.39	1.58	2.84	1.65	.38	2.08	1.26	4.51	.26	1.23	1.38	.32	1.5 lbs
DE3K*-08 SAE	3/4"-16	5145	.51	1.58	2.28	1.90	.38	2.08	1.37	4.51	.26	1.46	1.38	.32	2.0 lbs
DE3K*-12 SAE	1 1/16"-12	5145	.79	2.27	3.74	2.36	.55	2.97	1.89	6.38	.26	1.77	2.01	.39	4.0 lbs
DE3K*-16 SAE	1 5/16"-12	5145	.98	2.52	4.45	2.56	.55	3.25	2.24	6.38	.26	2.17	2.27	.39	5.5 lbs
DE3K*-20R SAE <i>Reduced Port</i>	1 5/8"-12	4500	.98	2.53	4.72	2.56	.55	3.25	2.36	6.38	.26	2.17	2.29	.39	6.0 lbs
DE3K*-24R SAE <i>Reduced Port</i>	1 7/8"-12	4500	.98	2.53	4.84	2.56	.55	3.25	2.36	6.38	.26	2.17	2.29	.39	6.5 lbs

* "L" and "T" Ports available. Minimum quantity may apply.



FLUID COMPONENTS, INC.

Ball Valve Accessories

Ball Valve Locking Kits

Model #'s & Descriptions

Model #	Description
DLK-S	"U" Locking Kit for DE Models: 1/4" - 1/2" Full Port Sizes
DLK-M	"U" Locking Kit for DE Models: 3/4" - 1" Full Ports & 1 1/4" - 1 1/2" Reduced Ports
DLK-L	"U" Locking Kit for DB Models: 1 1/4" - 2" Full Ports Sizes
LK-S	Flat Locking Kit for DE Models: 1/4" - 1/2" Full Port Sizes
LK-M	Flat Locking Kit for DE Models: 3/4" - 1" Full Ports & 1 1/4" - 1 1/2" Reduced Ports
LK-L	Flat Locking Kit for DB Models: 1 1/4" - 2" Full Port Sizes



"U" Style



Flat Style

Not sure how to install your locking kit?

Visit: <https://www.youtube.com/watch?v=YjUedUGMxYM> to watch a short video demonstration on installing our "U" style locking kits.

Ball Valve Handles

Model #'s & Descriptions

Model #	Description	Length
SW9 - Sm. Silver Handle (DE 1/4" - 1/2")	SW9 Small Silver Handle for DE2 / DE3 1/4" - 1/2" Full Port Sizes	4.51"
SW14 - Med. Silver Handle (DE 3/4"-1 1/2")	SW14 Medium Silver Handle for DE2 / DE3 3/4" - 1" Full Port Sizes & 1 1/4" - 1 1/2" Reduced Ports	6.38"
SW17 - Lg. Silver Handle (DB 1 1/4"-2")	SW17 Large Silver Handle for DB2 / DB3 1 1/4" - 2" Full Port Sizes	9.00"

Seal Options

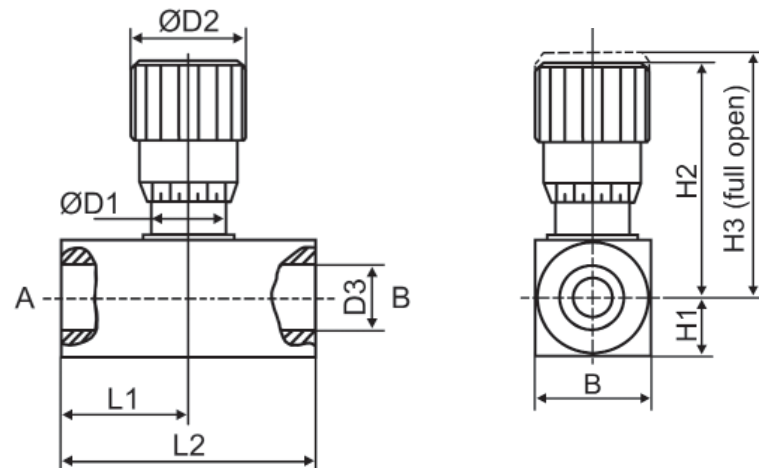
All Ball Valves come standard with Buna-N seals. Viton and other seal options available by special order. Contact Dynamic for options and availability.

Features

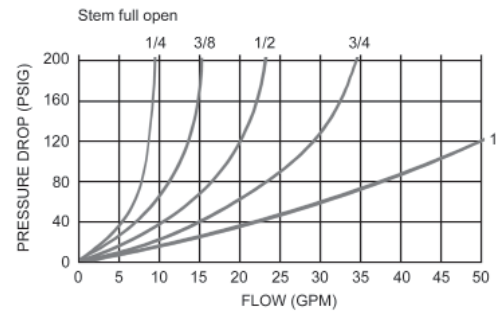
- Micrometer adjustment knob for accurate valve setting
- Rugged construction
- Maximum Pressure: 5000 psi
- Temperature Range: -4° to 176°F (-20°C to 80°C)
- Allen Head Lock Screw to Lock Handle in Place

Materials

- Body: Carbon steel with black oxide plating
- Handle: Zinc Alloy
- Set Screw: Steel
- Packing: Buna O-Ring/PTFE stem packing



Performance



Model #'s & Dimensional Information

Model #	B	D1	D2	D3	H1	H2	H3	L1	L2	Weight
JP-NV-1/4 NPT	1.10"	.76"	1.18"	1/4" NPT	.55"	2.41"	2.67"	1.065"	2.13"	.90 lbs
JP-NV-3/8 NPT	1.10"	.76"	1.18"	3/8" NPT	.55"	2.41"	2.67"	1.065"	2.13"	.90 lbs
JP-NV-1/2 NPT	1.50"	.95"	1.46"	1/2" NPT	.75"	3.07"	3.41"	1.34"	2.68"	2.00 lbs
JP-NV-3/4 NPT	1.50"	.95"	1.46"	3/4" NPT	.75"	3.08"	3.41"	1.54"	3.07"	2.00 lbs
JP-NV-1 NPT	1.89"	1.38"	1.89"	1" NPT	.94"	4.03"	4.50"	1.81"	3.62"	4.20 lbs
JP-NV-1 1/4 NPT	2.39"	1.74"	2.26"	1 1/4" NPT	1.20"	5.34"	5.88"	2.24"	4.49"	7.50 lbs
JP-NV-1 1/2 NPT	2.76"	2.38"	3.17"	1 1/2" NPT	1.38"	6.30"	7.13"	2.41"	4.81"	15.40 lbs
JP-NV-06-SAE	1.10"	.76"	1.18"	06 SAE	.55"	2.41"	2.67"	1.065"	2.13"	.90 lbs



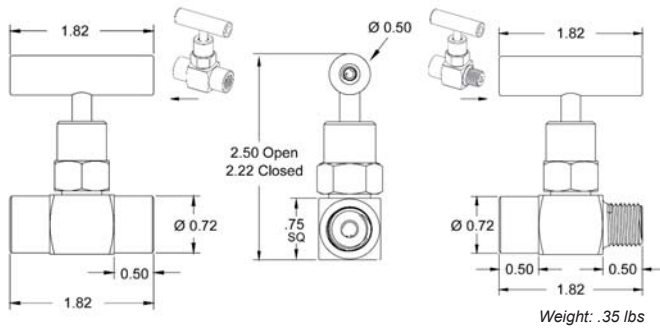
FLUID COMPONENTS, INC.

High Pressure Series Needle Valve

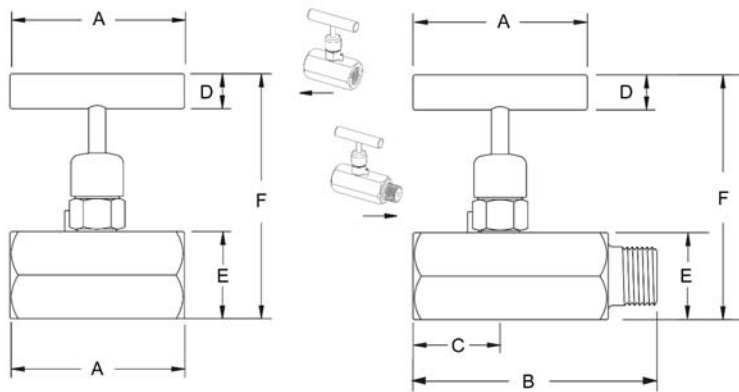
Features

- Rated up to 10,000 psi at 200°F
- Zinc-nickel plated steel body with 316SS stem
- Blow out proof stem
- Slotted spring pin prevents accidental loosening

Dimensions for 1/8" Valves



Dimensions for 1/4" - 1 1/2" Valves



The HPNV series of high pressure needle valves replaces the DFFG series which we previously offered. A quick cross reference is provided below.

Old Part #	New Part #
DFFG2001T	HPNV-1/8NPT-FF
DFFG2002T	HPNV-1/4NPT-FF
DFFG2003T	HPNV-3/8NPT-FF
DFFG2004T	HPNV-1/2NPT-FF
DFFG2006TA	HPNV-3/4NPT-FF
DFFG2008TA	HPNV-1NPT-FF

Valve Size	A	B	C	D	E	F		Weight
						Closed	Open	
1/4" - 1/2" NPT	2.5"	3.5"	1.25"	Ø 0.5"	1.25" Hex	3.50"	3.78"	1.10 lbs
3/4" - 1 1/2" NPT	4.25"	5.25"	2.125"	Ø 0.75"	2.25" Hex"	4.75"	5.50"	5.20 lbs

Ordering Example:

Model: **HPNV** - Size: **1 NPT** - Connection: **FF**

Model	Size	Connection
HPNV	1/8 NPT	3/4 NPT
	1/4 NPT	1 NPT
	3/8 NPT	1 1/4 NPT
	1/2 NPT	1 1/2 NPT

JP-FC Series Flow Control Valve

Features

- Micrometer adjustment knob for accurate valve setting
- Rugged construction
- Maximum Pressure: 5000 psi
- Temperature Range: -4° to 176°F (-20°C to 80°C)
- Allen Head Lock Screw to Lock Handle in Place

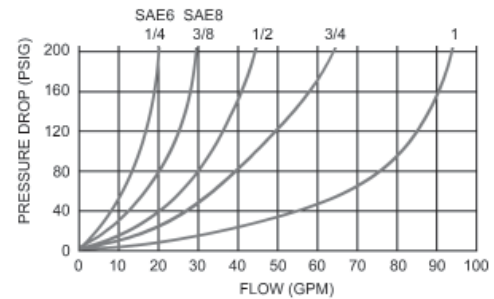
Materials

- Body: Carbon steel with black oxide plating
- Handle: Zinc Alloy
- Set Screw: Steel
- Packing: Buna O-Ring/PTFE stem packing

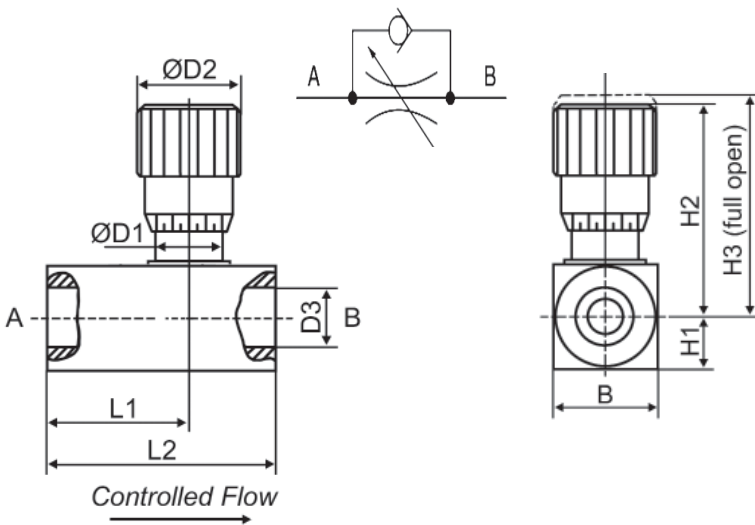
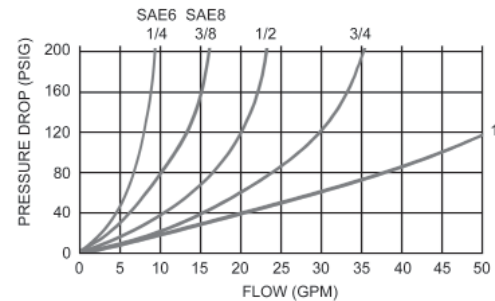


Performance

Free Flow Direction - Stem full open



Controlled Flow Direction - Stem full open



Model #'s & Dimensional Information

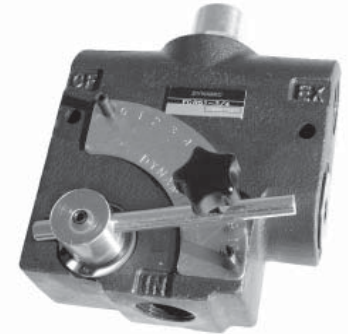
Model #	B	D1	D2	D3	H1	H2	H3	L1	L2	Weight
JP-FC-1/4 NPT	1.10"	.76"	1.18"	1/4" NPT	.55"	2.41"	2.67"	1.54"	2.52"	.90 lbs
JP-FC-3/8 NPT	1.10"	.76"	1.18"	3/8" NPT	.55"	2.41"	2.67"	1.69"	2.75"	.90 lbs
JP-FC-1/2 NPT	1.50"	.95"	1.46"	1/2" NPT	.75"	3.07"	3.41"	2.05"	3.27"	2.00 lbs
JP-FC-3/4 NPT	1.50"	.95"	1.46"	3/4" NPT	.75"	3.08"	3.41"	2.19"	3.50"	2.00 lbs
JP-FC-1 NPT	1.89"	1.38"	1.89"	1" NPT	.94"	4.03"	4.50"	2.79"	4.60"	4.20 lbs
JP-FC-1-1/4 NPT	2.38"	1.96"	2.28"	1 1/4" NPT	1.18"	5.25"	5.88"	3.39"	6.07"	9.55 lbs
JP-FC-SAE6	1.10"	.76"	1.18"	06 SAE	.55"	2.41"	2.67"	1.69"	2.75"	.90 lbs
JP-FC-SAE8	1.50"	.95"	1.46"	08 SAE	.75"	3.07"	3.41"	2.05"	3.27"	2.00 lbs



FLUID COMPONENTS, INC.

Pressure Compensating Variable Flow Control

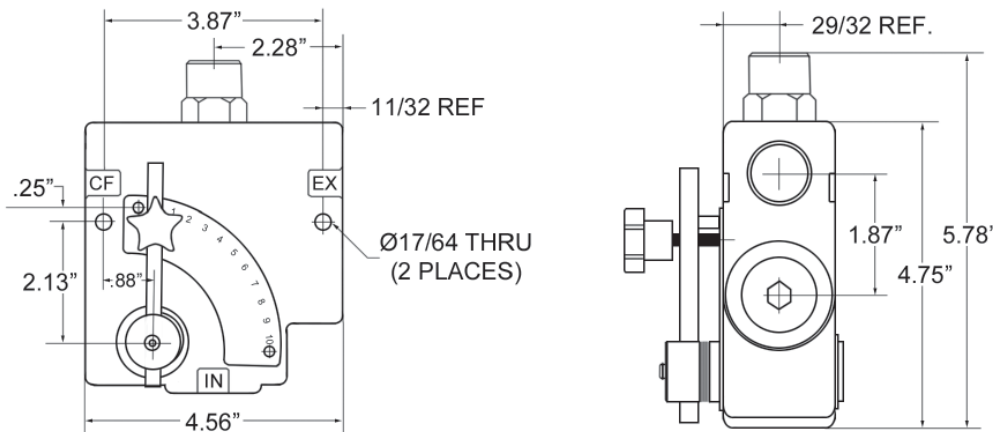
Model DFC-51 is a full-range pressure compensating variable flow control. It is designed so that the orifice area varies as the lever is rotated. The outlet flow is smooth and constant regardless of the pressure on the control flow or excess flow ports. An adjustable ball spring relief allows for pressure compensated flow up to the pressure setting on the relief with accuracy to 150psi. Relief valves are preset at 2100 psi and field adjustable from 75 to 3000 psi. Weight: 9.00 lbs.



Materials

- Cast Iron Body
- Heat Treated Compensator Spool
- Stainless Steel Rotary Spool
- Buna-N "O" Rings

Installation Data



Ordering Example: Model **DFC** - Relief **R** - Series **51** - Ports **34-N**

Model	Relief Option	Series	Port Size & Flow
DFC	R = Adj. Ball Spring Relief	51	38-N = 3/8" NPT (0-8 gpm)
	N = No Relief		12-N = 1/2" NPT (0-16 gpm)
	B* = Extended Relief (+/- 30psi accuracy)		34-N = 3/4" NPT (0-30 gpm)
			06-S = 06 SAE (0-8 gpm)
			08-S = 08 SAE (0-16 gpm)
			10-S = 10 SAE (0-16 gpm)
			12-S = 12 SAE (0-32 gpm)

*Special Order Only

Model FDA Gear Flow Divider



Model FDA is a rotary gear flow divider with 6 displacements from .129 to .517 in³/rev (2.13 to 8.42 cm³/rev). Maximum flow rates of 2.5 to 8.5 gpm are available across the displacement range. Standard ports are SAE, sizes are noted in the data chart below. Relief preset at 1800psi.

Recommended working conditions:

FILTRATION: 25 micron or better
 OIL VISCOSITY: 6 - 200 cSt
 INLET PRESSURE: 12 - 32 psi absolute
 OIL TEMPERATURE: -25° - 80° C (-12° - 175° F)
 AMBIENT -22° - 55° C (-8° - 130° F)

Technical Specifications

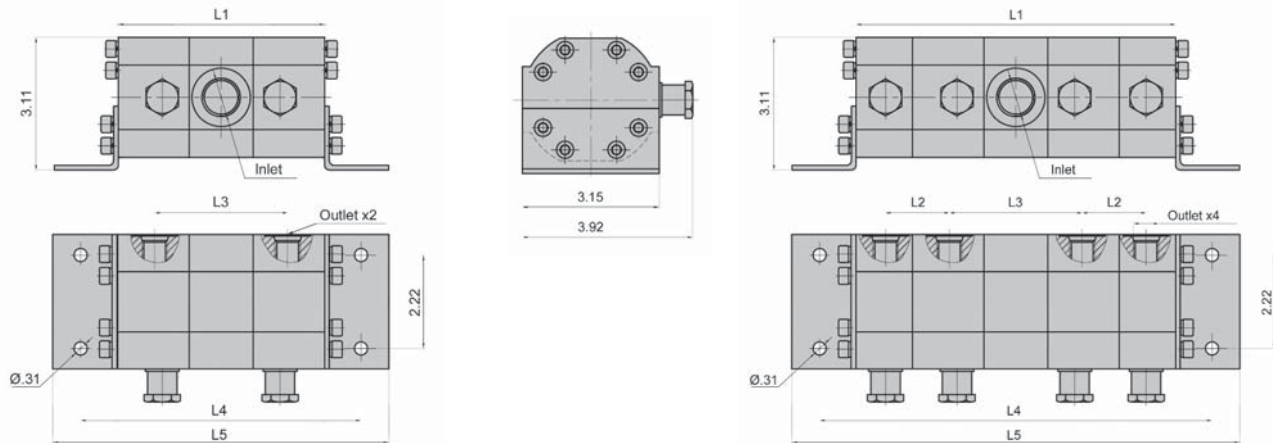
Specifications based on using Petroleum oil at 120°F (49°C), viscosity 150 SUS at 100°F and 0 inlet pressure.
 Maximum Outlet Pressure: 3500 psi (240 bar)

Model	Displacement		Flow per Section (gpm)		Dimensions							Weight
	in ³ /rev	cm ³ /rev	min	max	Inlet	Outlet	L1	L2	L3	L4	L5	lbs
FDA-2*-129*	.129	2.13	1.20	2.5	SAE 8	SAE 8	4.25	-	2.87	6.02	7.24	4.45
FDA-2*-194*	.194	3.18	1.70	4.5	SAE 8	SAE 6	4.60	-	2.76	6.38	7.60	4.95
FDA-2*-258*	.258	4.24	2.50	5.0	SAE 10	SAE 6	4.84	-	2.99	6.61	7.83	5.40
FDA-2*-323*	.323	5.29	3.00	6.0	SAE 10	SAE 10	5.16	-	3.31	6.93	8.15	5.68
FDA-2*-388*	.388	6.36	3.50	7.0	SAE 10	SAE 10	5.43	-	3.58	7.20	8.43	5.85
FDA-2*-517*	.517	8.42	4.50	9.0	SAE 10	SAE 10	6.02	-	4.17	7.79	9.02	6.25
FDA-4*-129*	.129	2.13	1.20	2.0	SAE 8	SAE 8	7.72	1.58	3.23	9.49	10.71	9.59
FDA-4*-194*	.194	3.18	1.70	3.0	SAE 8	SAE 6	8.39	1.69	3.19	10.39	11.42	10.24
FDA-4*-258*	.258	4.24	2.50	4.2	SAE 10	SAE 6	8.86	1.81	3.43	10.63	11.85	10.37
FDA-4*-323*	.323	5.29	3.00	4.7	SAE 10	SAE 8	9.49	1.97	3.74	11.26	12.48	10.54
FDA-4*-388*	.388	6.36	3.50	6.1	SAE 10	SAE 8	10.04	2.09	4.25	11.88	13.03	10.89
FDA-4*-517*	.517	8.42	4.50	8.5	SAE 10	SAE 10	11.22	2.40	4.61	12.99	14.21	11.15

Flow Rate (gpm) = Displacement (in³/rev) X Speed (rpm) / 231

Volumetric efficiency % ≥93

Installation Data



Ordering Example: **FDA** - **2** - **N** - **258** - **S**

Category	Series	Relief	Displacement	Ports
FDA = Flow Divider	2 - 2-section 4* - 4-section	N = No Relief Valve R* = Relief Valve	129/194/258 323/388/517	S - SAE

*Special Order - minimums may apply



FLUID COMPONENTS, INC.

Model DYFB

Spool Flow Divider



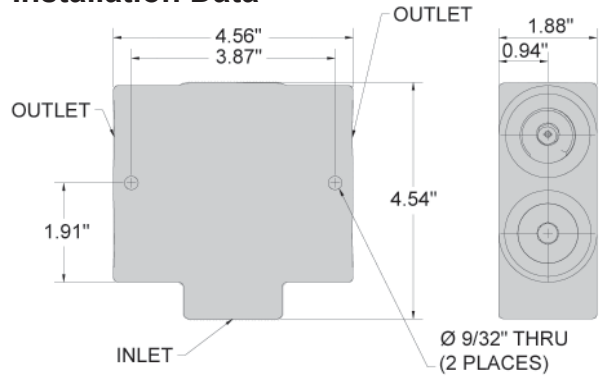
Features

- Precision ground heat treated spool
- Pressure compensation for both outlet ports
- Divides inlet flow into two flows of equal flow (other ratios available with minimum order)
- Maximum Pressure: 3000 psi
- Optional free reverse flow allows fluid to move from the outlet ports to the inlet port

Materials

- Cast Iron Body
- Buna N "O" Rings
- Heat Treated Steel Spool
- Heat Treated Free Reverse Check Seat

Installation Data



Technical Specifications

Port Size	Min. Flow each section	Max. Flow each section	Max. Outlet Pressure	Weight
3/8" NPT	2 gpm	8 gpm	3000 psi	7.25 lbs
1/2" NPT	8 gpm	16 gpm		7.25 lbs
3/4" NPT	16 gpm	30 gpm		7.25 lbs
#10 SAE	8 gpm	16 gpm		7.25 lbs
#12 SAE	16 gpm	30 gpm		7.25 lbs

Ordering Example:

Model
Flow Options
Port Size
DYFB
-
100
-
1/2

Category	Flow Options	Port Size
DYFB = Flow Divider	50* = Inlet to Outlet 100 = Free Reverse Flow	3/8 = 3/8" NPT 1/2 = 1/2" NPT 3/4 = 3/4" NPT 10SAE = 10 SAE 12SAE = 12 SAE

*Special Order - minimums may apply

Model JPLS-3000 offers a hydraulically-balanced, chrome-plated spool and pressure release detent adjustable from 1000 to 2000 psi. Recommended for systems with flows up to 25 gpm, the JPLS-3000 relief valve is adjustable up to 2750 psi. When the tandem center spool is in neutral position, hydraulic flow is diverted to the return line. This is used to hold the cylinder/piston in position with no load on the pump, keeping wear and tear on the pump to a minimum.

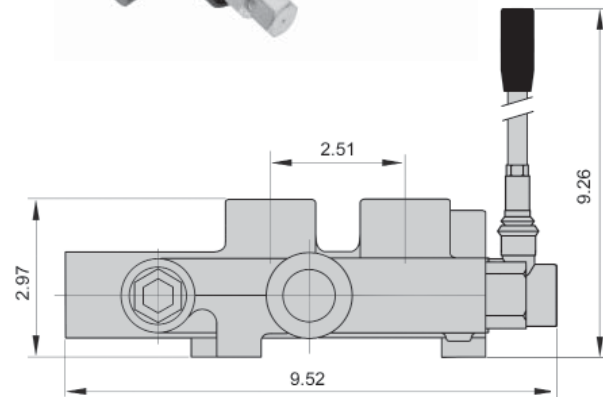
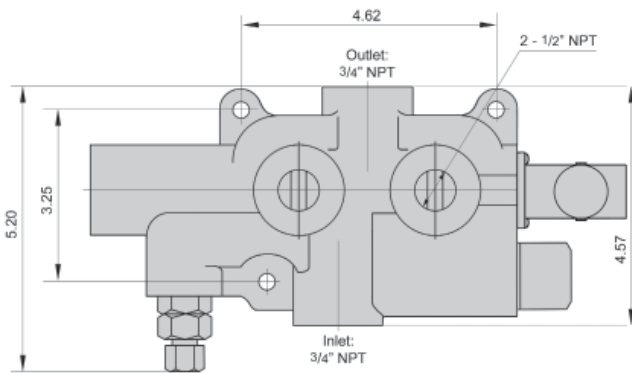
Technical Specifications

- Max Operating Pressure: 2750 psi
- Max Tank Pressure: 150 psi
- Max Flow Rating: 25 gpm
- Relief Valve Setting: 2250 psi
- Recommended Filtration: ISO 4406 19/17/14
- Max Operating Temperature: 180°F
- Standard Port Size: 1/2" NPT
- Weight: 10 lbs

In exposed applications, do not mount with spool vertical and handle down.



Installation Data



Ordering Example:

Model	Series
JPLS	- 3000

Note: 1/2" NPT ports are standard. Additional port options may be available with special order.

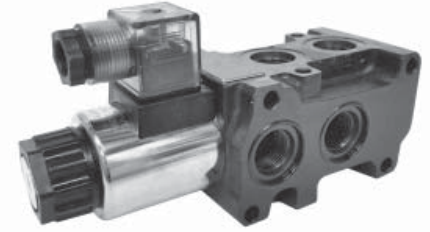


FLUID COMPONENTS, INC.

Model DSV

Selector Valve

The DSV 12-volt DC selector valve is operated by a continuously rated wet pin solenoid. This is capable of switching from one circuit to another at a variety of flows and pressures. The DSV may be connected to the service ports of a directional control valve and used to direct service line flow to and from either of two separate devices. If more than two circuits are to be controlled, additional units can be stacked together (max of 3), minimizing the need for pipes and fittings. Also the DSV series valves can be connected to a pump and used to direct the flow to either one of two different circuits.

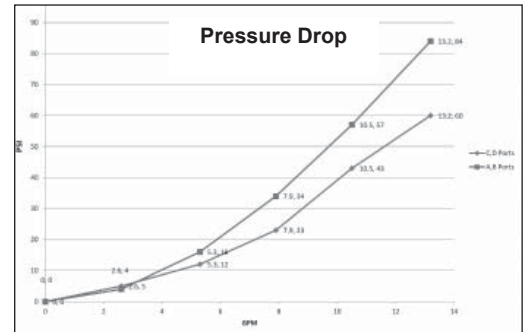
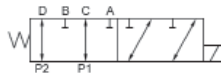


Technical Specifications

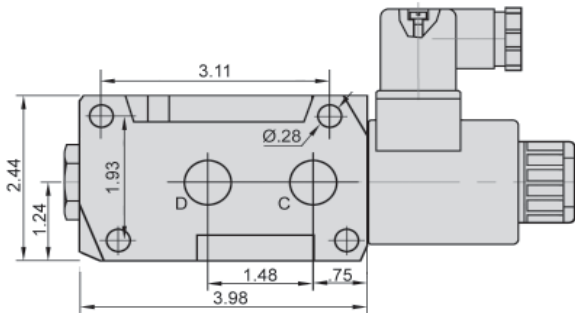
Hydraulic		
Port Size	3/4-16 - SAE-08	7/8-14 - SAE-10
Max Flow Rate	13.2 gpm	24.0 gpm
Operating Pressure	3600 psi	3600 psi
Oil Temp Range	-4°F - 158°F	-4°F - 158°F
Viscosity Range	70-1790 SSu	70-1790 SSu
Filtration Requirement	NAS 1638 8	NAS 1638 8
Weight	6.5 lbs	11.5 lbs

Electrical	
Supply Voltage	12/24 VDC
Amperage Rating	2.50A for DC 12V 1.21A for DC 24V
Max Ambient Temp	125° F
Max Coil Temp	356° F
Duty Cycle	Continuous

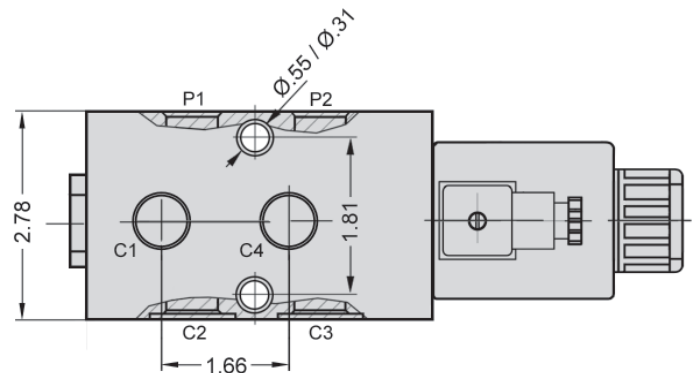
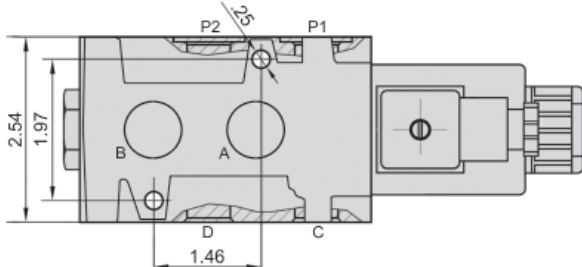
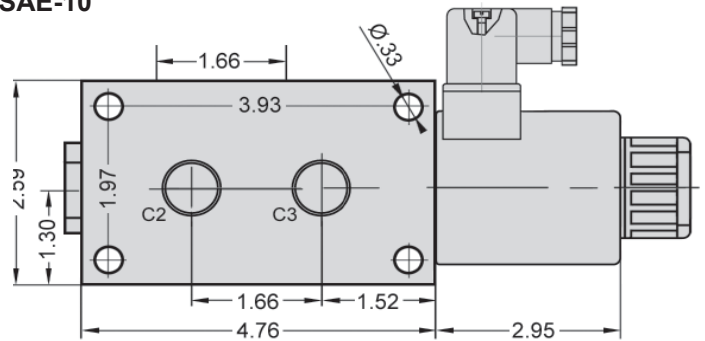
Spool Function



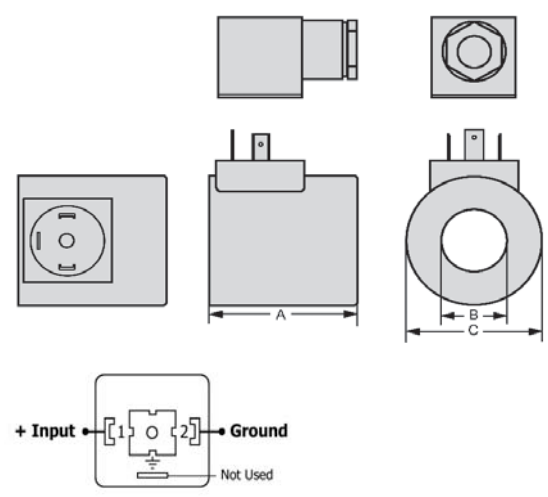
SAE-08



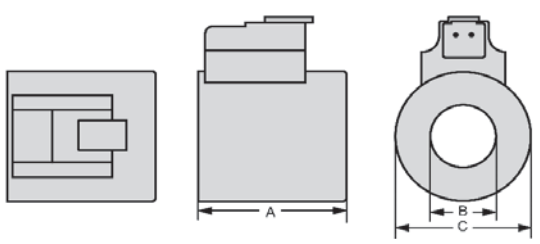
SAE-10



DIN Connector

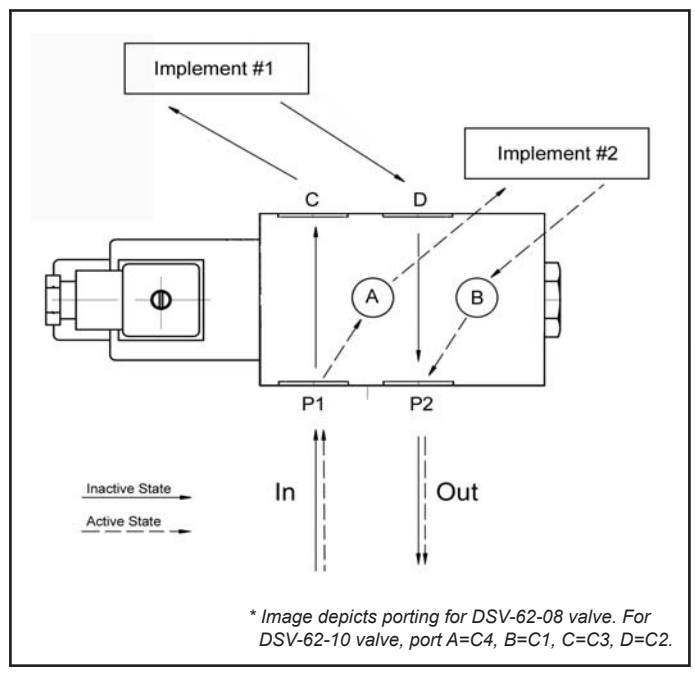


Deutsch Connector



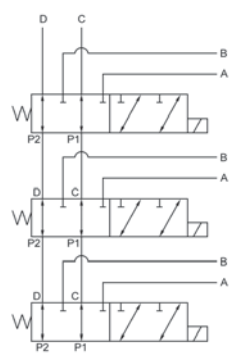
Coil Dimensions

Size	A	B	C
SAE-08	1.99"	.91"	1.77"
SAE-10	2.96"	1.22"	2.48"



Stacking Valves

DSV Selector Valves can be stacked together to provide multiple circuit capacity. Up to 3 units can be stacked as the diagram below shows.



Ordering Example: Model **DSV** - Style **62** - Port Size **08** - Supply Voltage **12** - Connector **DIN**

Model	Style	Port Size**	Supply Voltage	Connector**
DSV= Dynamic Selector Valve	62 = 6-way, 2-Station	08 = SAE-08 10 = SAE-10	12 = 12VDC 24* = 24VDC 110* = 110VAC	DIN = DIN DEU = Deutsch

* Special Order
 ** Additional port sizes and connectors may be available by special order.



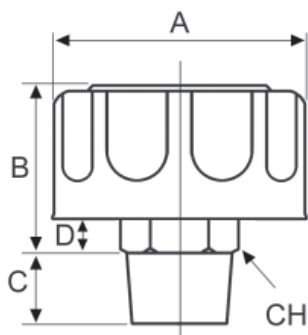
FLUID COMPONENTS, INC.

DB Series

Screw-On Air Breathers

Features

- 40 Micron Breather
- Cap: Chrome-plated Steel
- Connector: Galvanized Steel
- Sizes: 1/4" to 1" NPT
- Working Temp: -13° - 230°F



Dimensional Information

Model #	Thread	A	B	C	D	CH	Micron	Flow	Weight
DB40-04	1/4" NPT	1.85"	1.30"	.47"	.28"	.75"	40	40 gpm	.20 lbs
DB40-06	3/8" NPT	1.85"	1.30"	.47"	.28"	.75"	40	79 gpm	.20 lbs
DB40-08	1/2" NPT	3.12"	2.09"	.62"	.28"	1.27"	40	119 gpm	.30 lbs
DB40-12	3/4" NPT	3.12"	2.09"	.62"	.28"	1.27"	40	198 gpm	.50 lbs
DB40-16	1" NPT	3.12"	2.12"	.75"	.38"	1.42"	40	225 gpm	.70 lbs

Ordering Example:

Model Filtration Connection
DB **40** - **04**

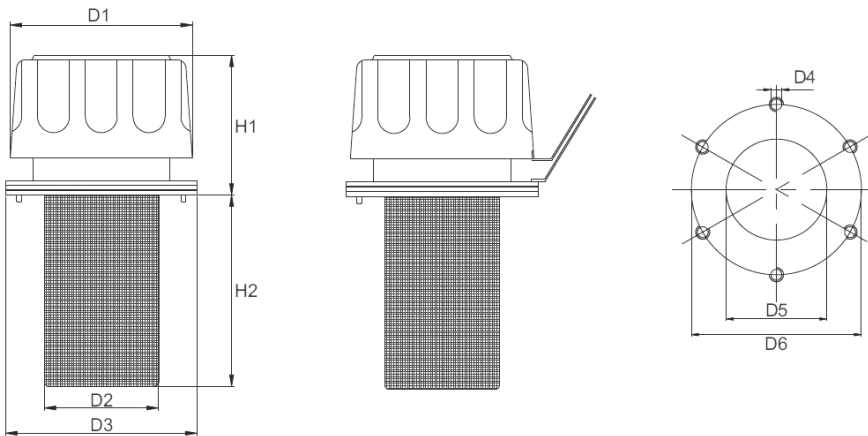
Model	Filtration	Connection
DB = Designation for Breathers	40 = 40 micron	04 = 1/4" NPT 06 = 3/8" NPT 08 = 1/2" NPT 12 = 3/4" NPT 16 = 1" NPT

Features

- Chrome Plated Steel Cap
- 40 Micron Breather
- 3" & 6" Basket Lengths
- Metal Basket Standard
- Lockable Option



Installation Data



Dimensional Information

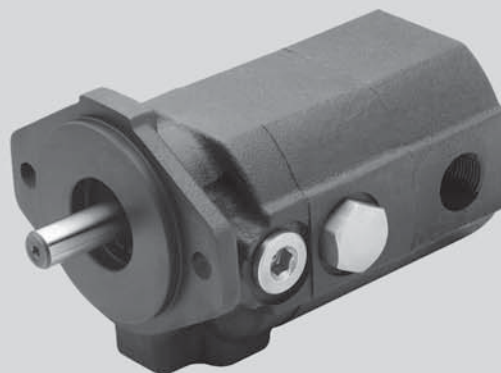
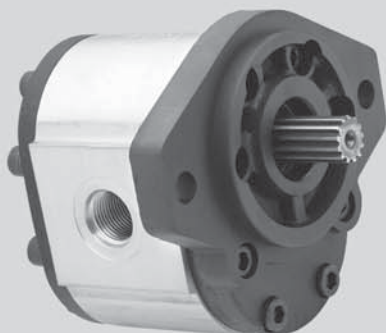
Model	D1	D2	D3	D4	D5	D6	H1	H2	Filtration	Flow Rate	Weight
DFB40-03	3.15"	1.97"	3.27"	M5	2.05"	2.87"	2.24"	3.07"	40 micron	119 gpm	.75 lbs
DFB40-06	3.15"	1.97"	3.27"	M5	2.05"	2.87"	2.24"	6.18"	40 micron	119 gpm	.90 lbs

Ordering Example:

Model	Filtration	Basket Length	Options
DFB	40	- 03	- MB

Model	Filtration	Basket Length	Options
DFB = Designation for Filter Breathers	40 = 40 micron	03 = 3" 06 = 6"	MB = Standard Metal Basket L = Lockable

Consult Factory for ordering caps or baskets only



General Information

Dynamic offers a full range of pressure-balanced, fixed-displacement gear pumps with displacements ranging from .009 to 9.85 in³/rev. The range includes F0 and F1 all aluminium gear pumps, as well as our standard F10, F20 and F25 gear pumps constructed with aluminium center gear sections and cast iron mounting flanges and end plates. Also available are all cast iron HI/LO pumps with 14 displacement combinations, ideal for log-splitter applications, as well as side and rear ports PTO pumps for 540 and 1000 rpm applications.

Hydraulic Pumps TABLE OF CONTENTS

Hydraulic Gear Pump Series	Page
GP-F0 (All Aluminium Mini Hydraulic Gear Pump)	37
GP-F1 (All Aluminium Hydraulic Gear Pump)	38
GP-F10 (SAE "AA" Mount - Aluminium & Cast Iron Hydraulic Gear Pump)	39
GP-F20 (SAE "A" Mount - Aluminium & Cast Iron Hydraulic Gear Pump)	40
GP-F25 (SAE "B" Mount - Aluminium & Cast Iron Hydraulic Gear Pump)	41
Double & Triple Pumps (Built to Suit)	42
GP-CBN (Hi-Lo Hydraulic Gear Pump)	43-44
GP-PTO (PTO Driven Gear Pump)	45-46

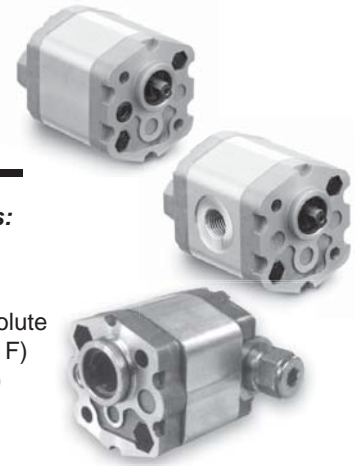
* Dynamic pumps are interchangeable with many leading domestic and European manufacturers.
For information, call: 800-988-1276.



FLUID COMPONENTS, INC.

Hydraulic Gear Pump Model GP-F0

Available by Special Order Only



Model GP-F0 is an all aluminium construction, high pressure mini hydraulic gear pump with 12 displacement sizes from 0.009 - 0.120 in³/rev. (0.16 - 2.00 cm³/rev). The standard mounting flange is as detailed on the installation drawing and porting is any combination of rear, front or side as defined in the Ordering Example.

Recommended working conditions:

FILTRATION: 25 micron or better
 OIL VISCOSITY: 7 - 700 cSt
 INLET PRESSURE: 12 - 32 psi absolute
 OIL TEMP: -25° - 80° C (-12° - 175° F)
 AMBIENT -22° - 55° C (-8° - 130° F)

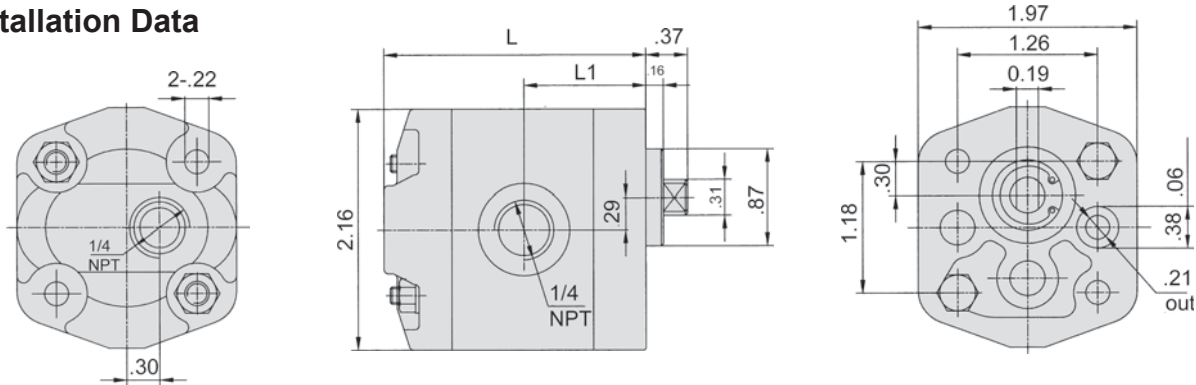
Technical Specifications

Model	Displacement	Pressure		Speed rpm		Weight	Model	Displacement	Pressure		Speed rpm		Weight
	in ³ (cm ³) / rev	Rated	Max	Rated	Max	Lbs.		in ³ (cm ³) / rev	Rated	Max	Rated	Max	Lbs.
GP-F0-016	0.009 (0.16)	2750	3335	2000	7000	0.82	GP-F0-084*	0.051 (0.84)	2750	3335	2000	6000	0.91
GP-F0-025	0.015 (0.25)	2750	3335	2000	7000	0.84	GP-F0-100	0.060 (1.00)	2750	3335	2000	6000	0.92
GP-F0-038	0.023 (0.38)	2750	3335	2000	7000	0.85	GP-F0-125	0.080 (1.25)	2750	3335	2000	5000	1.00
GP-F0-050	0.030 (0.50)	2750	3335	2000	7000	0.87	GP-F0-150	0.090 (1.50)	2750	3335	2000	4000	1.04
GP-F0-070*	0.043 (0.70)	2750	3335	2000	7000	0.90	GP-F0-175	0.110 (1.75)	2750	3335	2000	4000	1.08
GP-F0-075	0.045 (0.75)	2750	3335	2000	7000	0.91	GP-F0-200	0.120 (2.00)	2750	3335	2000	3500	1.13

Flow Rate (gpm) = Displacement (in³/rev) X Speed (rpm) / 231

Volumetric efficiency % ≥93

Installation Data



Model	L	L1
GP-F0-016	2.40"	1.20"
GP-F0-025	2.44"	1.22"
GP-F0-038	2.46"	1.23"
GP-F0-050	2.48"	1.23"

Model	L	L1
GP-F0-070	2.56"	1.28"
GP-F0-075	2.59"	1.30"
GP-F0-084	2.63"	1.31"
GP-F0-100	2.67"	1.34"

Model	L	L1
GP-F0-125	2.79"	1.40"
GP-F0-150	2.87"	1.44"
GP-F0-175	2.95"	1.48"
GP-F0-200	3.03"	1.51"

Ordering Example: **GP** - **F0** - **016** - **T** - **C** - **□**

Category	Series	Displacement (cm ³ /rev)	Drive Shaft	Rotation	Options
Gear Pump	F0 Series	016/025/038/050/ 070/075/084/100/ 125/150/175/200	T = Flat Tang	C = Clockwise A = Counter-Clockwise (viewed from shaft end)	Omit = Standard (front & back) 1 = 1/4" NPT Side Ports 3 = Free running (reduced efficiency)

GAUGES & ACCESSORIES

HYDRAULIC PUMPS

HYDRAULIC MOTORS

APPENDIX



FLUID COMPONENTS, INC.

Hydraulic Gear Pump Model GP-F1

Available by Special Order Only



Model GP-F1 is an all aluminium construction, high pressure hydraulic gear pump with 15 displacement sizes from 0.05 to 0.48 in³/rev. (0.8 to 8.0 cm³/rev). The standard mounting flange is as detailed on the installation drawing and porting is any combination of rear, front or side as defined in the Ordering Example. The drive shaft options include flat tang or tapered key.

Recommended working conditions:

- FILTRATION: 25 micron or better
- OIL VISCOSITY: 7 - 700 cSt
- INLET PRESSURE: 12 - 32 psi absolute
- OIL TEMP: -25° - 80° C (-12° - 175° F)
- AMBIENT -22° - 55° C (-8° - 130° F)

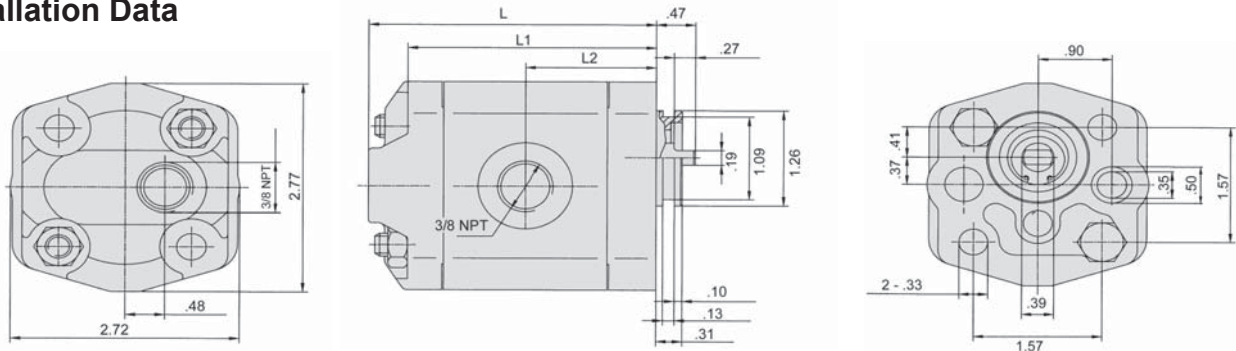
Technical Specifications

Model	Displacement	Pressure		Speed rpm		Weight
	in ³ (cm ³) / rev	Rated	Max	Rated	Max	lbs
GP-F1-08	0.05 (0.8)	2900	3626	2000	6000	1.65
GP-F1-11	0.06 (1.1)	2900	3626	2000	6000	1.69
GP-F1-13	0.07 (1.3)	2900	3626	2000	6000	1.73
GP-F1-16	0.09 (1.6)	2900	3626	2000	6000	1.76
GP-F1-18	0.10 (1.8)	2900	3626	2000	6000	1.78
GP-F1-21	0.12 (2.1)	2900	3626	2000	6000	1.80
GP-F1-27	0.16 (2.7)	2900	3626	2000	6000	1.87
GP-F1-32	0.19 (3.2)	2900	3626	2000	5000	1.91

Model	Displacement	Pressure		Speed rpm		Weight
	in ³ (cm ³) / rev	Rated	Max	Rated	Max	lbs
GP-F1-37	0.22 (3.7)	2900	3626	2000	4500	1.98
GP-F1-42	0.25 (4.2)	2900	3626	2000	4000	2.02
GP-F1-48	0.29 (4.8)	2320	2900	2000	3500	2.09
GP-F1-58	0.35 (5.8)	2320	2900	2000	2900	2.20
GP-F1-60	0.36 (6.0)	2320	2900	2000	2750	2.25
GP-F1-70	0.43 (7.0)	2320	2900	2000	2500	2.34
GP-F1-80	0.48 (8.0)	2320	2900	2000	2100	2.42

Flow Rate (gpm) = Displacement (in³/rev) X Speed (rpm) / 231
Volumetric efficiency % ≥93

Installation Data



Model	L	L1	L2
GP-F1-08	2.87"	2.40"	1.26"
GP-F1-11	2.91"	2.44"	1.30"
GP-F1-13	2.95"	2.48"	1.32"
GP-F1-16	2.99"	2.52"	1.34"
GP-F1-18	3.03"	2.56"	1.36"

Model	L	L1	L2
GP-F1-21	3.07"	2.60"	1.38"
GP-F1-27	3.15"	2.68"	1.42"
GP-F1-32	3.23"	2.76"	1.46"
GP-F1-37	3.31"	2.83"	1.50"
GP-F1-42	3.39"	2.91"	1.53"

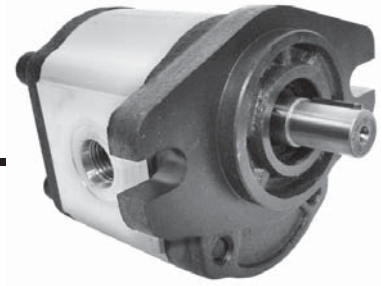
Model	L	L1	L2
GP-F1-48	3.46"	2.99"	1.57"
GP-F1-58	3.62"	3.15"	1.65"
GP-F1-60	3.66"	3.18"	1.69"
GP-F1-70	3.77"	3.30"	1.77"
GP-F1-80	3.94"	3.46"	1.81"

Ordering Example:

Category **GP** -
 Series **F1** -
 Displacement **32** -
 Drive Shaft **T** -
 Rotation **C** -
 Options

Category	Series	Displacement (cm ³ /rev)	Drive Shaft	Rotation	Options
Gear Pump	F1 Series	08/11/13/16/18/ 21/27/32/37/42/ 48/58/60/70/80	T = Flat Tang Z = Taper	C = Clockwise A = Counter-Clockwise (viewed from shaft end)	Omit = Standard (front & back) 1 = Side Ports (3/8" NPT) 2 = Side Ports (SAE-8/SAE-6) 3 = Free running (reduced efficiency)

Hydraulic Gear Pump Model GP-F10



Constructed of an aluminium center section and cast iron end plates, model GP-F10 is a high pressure hydraulic gear pump with 8 displacement sizes from 0.07 - 0.48 in³/rev. (1.3 - 8.0 cm³/rev). The standard mounting flange is a SAE AA - 2 bolt; standard ports are SAE-8 inlet and SAE-6 outlet; and the drive shaft is a 1/2" diameter straight shaft with 1/8" key.

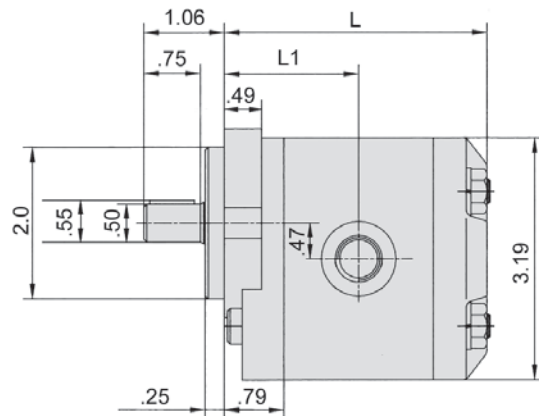
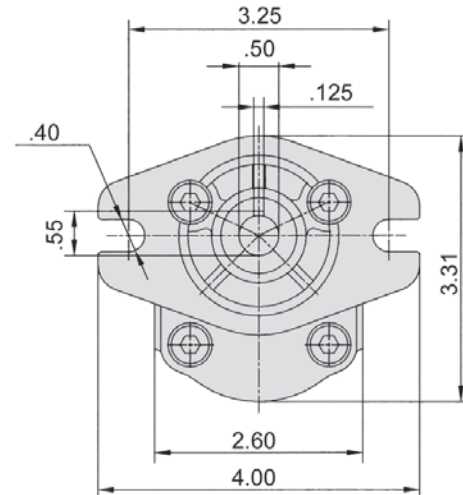
Recommended working conditions:

FILTRATION: 25 micron or better OIL VISCOSITY: 7 - 700 cSt
 INLET PRESSURE: 12 - 32 psi absolute OIL TEMP: -25° - 80°C (-12° - 175°F)
 AMBIENT TEMP: -22° - 55°C (-8° - 130°F)

Technical Specifications

Model	Displacement in ³ (cm ³) / rev	Pressure psi	Speed rpm		Weight Lbs.
			Rated	Max	
GP-F10-13	0.07 (1.3)	3625	2000	5000	2.02
GP-F10-20	0.12 (2.0)	3625	2000	5000	2.31
GP-F10-27	0.16 (2.7)	3625	2000	5000	2.68
GP-F10-34	0.20 (3.4)	3625	2000	5000	2.99
GP-F10-41	0.25 (4.1)	3625	2000	4000	3.34
GP-F10-51	0.31 (5.1)	3625	2000	4000	3.78
GP-F10-61	0.37 (6.1)	3625	2000	4000	4.18
GP-F10-80	0.48 (8.0)	3480	2000	4000	5.01

Flow Rate (gpm) = Displacement (in³/rev) X Speed (rpm) / 231
 Volumetric efficiency % ≥93



Installation Data

Model	L	L1	Ports	
			In	Out
GP-F10-13	3.23"	1.65"	SAE-8	SAE-6
GP-F10-20	3.30"	1.69"	SAE-8	SAE-6
GP-F10-27	3.39"	1.73"	SAE-8	SAE-6
GP-F10-34	3.46"	1.77"	SAE-8	SAE-6
GP-F10-41	3.54"	1.81"	SAE-8	SAE-6
GP-F10-51	3.66"	1.87"	SAE-8	SAE-6
GP-F10-61	3.78"	1.93"	SAE-8	SAE-6
GP-F10-80	3.97"	2.01"	SAE-8	SAE-6

Ordering Example: Category Series Displacement Drive Shaft Rotation Options

GP - **F10** - **20** - **P** - **C** -

Category	Series	Displacement (see chart)	Drive Shaft*	Rotation	Options
Gear Pump	F10 Series SAE "AA" Mount	13/20/27/34 41/51/61/80	P = 1/2" dia. Straight	C = Clockwise A = Counter-Clockwise (viewed from shaft end)	BB* = Rear Ports Y* = Relief Valve

* Special Order.

** Additional seal and shaft options available. Please consult factory.

Seal kits are available for F10 gear pumps. See page 126 for details.



FLUID COMPONENTS, INC.

Hydraulic Gear Pump Model GP-F20



Constructed of an aluminium center section and cast iron end plates, model GP-F20 is a high pressure hydraulic gear pump with 11 displacement sizes from 0.24 - 1.95 in³/rev. (4 - 32 cm³/rev). The standard mounting flange is a SAE A - 2 bolt. Standard drive shaft is a 5/8" straight shaft with 5/32" key. Additional shaft options are available as outlined in the Ordering Example.

Recommended working conditions:

FILTRATION: 25 micron or better
OIL TEMP: -25° - 80°C (-12° - 175°F)

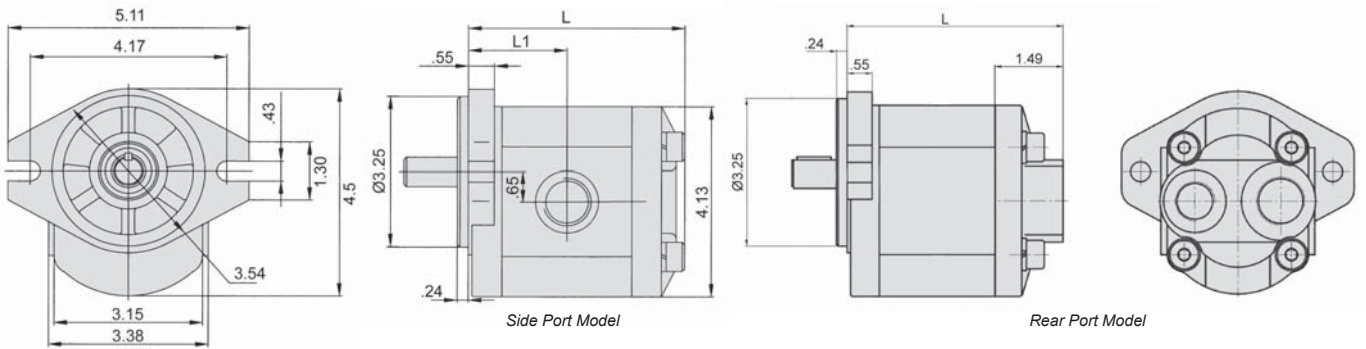
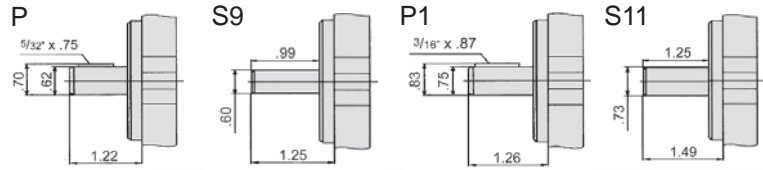
OIL VISCOSITY: 7 - 700 cSt
AMBIENT -22° - 55°C (-8° - 130°F)

INLET PRESSURE: 12 - 32 psi absolute

Technical Specifications

Model	Displacement	Pressure psi	Speed rpm		Weight lbs	Ports		L		L1
	in ³ (cm ³) / rev		Rated	Max		In	Out	side ported	rear ported	
GP-F20-04	0.24 (4)	3650	2000	3600	8.30	SAE-12	SAE-10	3.70"	4.15"	1.69"
GP-F20-06	0.36 (6)	3650	2000	3600	8.55	SAE-12	SAE-10	3.87"	4.32"	1.77"
GP-F20-08	0.48 (8)	3650	2000	3600	8.75	SAE-12	SAE-10	3.95"	4.40"	1.85"
GP-F20-10	0.61 (10)	3650	2000	3600	8.80	SAE-12	SAE-10	4.12"	4.47"	1.89"
GP-F20-12	0.73 (12)	3650	2000	3600	9.05	SAE-12	SAE-10	4.25"	4.70"	1.97"
GP-F20-14	0.85 (14)	3650	2000	3600	9.20	SAE-12	SAE-10	4.35"	4.80"	2.00"
GP-F20-16	0.97 (16)	2900	2000	3600	9.35	SAE-12	SAE-10	4.50"	4.95"	2.07"
GP-F20-20	1.22 (20)	2900	2000	3600	9.80	SAE-12	SAE-10	4.72"	5.17"	2.20"
GP-F20-25	1.52 (25)	2900	2000	3600	10.30	SAE-12	SAE-10	5.17"	5.62"	2.36"
GP-F20-30	1.83 (30)	2300	2000	3600	10.75	SAE-16	SAE-12	5.35"	5.80"	2.52"
GP-F20-32	1.95 (32)	2300	2000	3600	11.00	SAE-16	SAE-12	5.79"	6.24"	2.87"

Flow Rate (gpm) = Disp. (in³/rev) X Speed (rpm) / 231
Volumetric efficiency % ≥93



Ordering Example: GP - F20 - 25 - P - C -

Category	Series	Displacement (see chart)	Drive Shaft*	Rotation	Options
Gear Pump	F20 Series SAE "A" Mount	04/06/08/10/12 14/16/20/25/30/32	P = 5/8" dia. Straight P1 = 3/4" dia. Straight S9 = SAE 9-tooth spline S11* = SAE 11-tooth spline	C = Clockwise A = Counter-Clockwise (viewed from shaft end)	BB** = Rear Ports

* Additional seal and shaft options available. Consult factory.
** Reduced flow for 20cc & 25cc models. Not available on 30cc or 32cc

Seal kits are available for F20 gear pumps. See page 126 for details.

Hydraulic Gear Pump Model GP-F25



Constructed of an aluminium center section and cast iron end plates, model GP-F25 is a high pressure hydraulic gear pump with 10 displacement sizes from 1.34 - 5.43 in³/rev (22 - 89 cm³/rev). The standard mounting flange is a SAE B - 2-bolt with a 7/8" diameter straight shaft and 1/4" key.

Technical Specifications

Model	Displacement in ³ (cm ³) / rev	Pressure psi	Speed rpm		Weight Lbs.
			Rated	Max	
GP-F25-22	1.34 (22)	3625	2000	3000	19.35
GP-F25-26	1.57 (26)	3625	2000	3000	19.55
GP-F25-34	2.07 (34)	3625	2000	3000	20.20
GP-F25-39	2.38 (39)	3625	2000	3000	20.65
GP-F25-43	2.62 (43)	3625	2000	2800	20.85
GP-F25-51	3.11 (51)	3625	2000	2800	21.50
GP-F25-60	3.84 (60)	2900	1500	2800	22.25
GP-F25-70*	4.27 (70)	2900	1500	2500	22.75
GP-F25-78*	4.76 (78)	2900	1500	2300	23.50
GP-F25-89*	5.43 (89)	2600	1500	2000	25.00

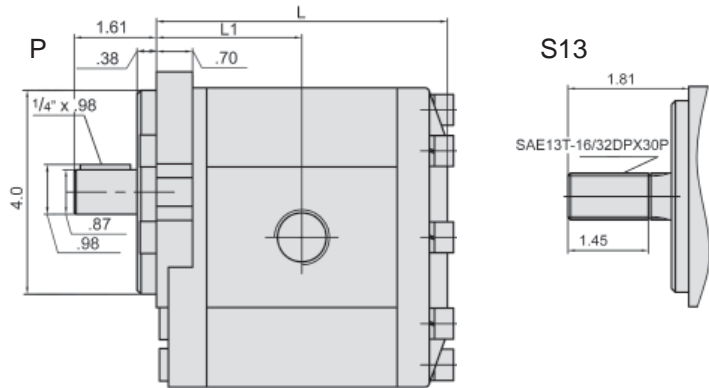
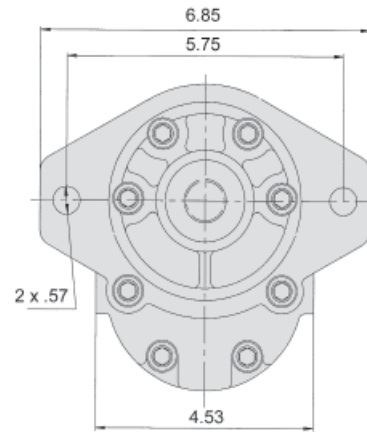
Recommended working conditions:

FILTRATION: 25 micron or better
 OIL VISCOSITY: 7 - 700 cSt
 INLET PRESSURE: 12 - 32 psi absolute
 OIL TEMPERATURE: -25° - 80° C (-12° - 175° F)
 AMBIENT -22° - 55° C (-8° - 130° F)

Flow Rate (gpm) = Displacement (in³/rev) X Speed (rpm) / 231
 Volumetric efficiency % ≥93

Installation Data

Model	L	L1	Ports	
			In	Out
GP-F25-22	5.16"	2.60"	SAE-16	SAE-12
GP-F25-26	5.27"	2.63"	SAE-16	SAE-12
GP-F25-34	5.47"	2.71"	SAE-16	SAE-12
GP-F25-39	5.62"	2.79"	SAE-16	SAE-12
GP-F25-43	5.78"	2.87"	SAE-16	SAE-12
GP-F25-51	5.98"	2.99"	SAE-16	SAE-12
GP-F25-60	6.22"	3.11"	SAE-16	SAE-12
GP-F25-70*	6.53"	3.22"	SAE-20	SAE-16
GP-F25-78*	6.73"	3.34"	SAE-20	SAE-16
GP-F25-89*	6.93"	3.46"	SAE-20	SAE-16



Ordering Example: Category **GP** - Series **F25** - Displacement **34** - Drive Shaft **P** - Rotation **C**

Category	Series	Displacement (see chart)	Drive Shaft**	Rotation
Gear Pump	F25 Series SAE "B" Mount	22/26/34/39/43/51 60/70*/78*/89*	P = 7/8" dia. Straight S13 = 13-tooth Spline	C = Clockwise A = Counter-Clockwise (viewed from shaft end)

* Special Order.

** Additional seal and shaft options available. Please consult factory.

Seal kits for F25 gear pumps are available. See page 126 for details.



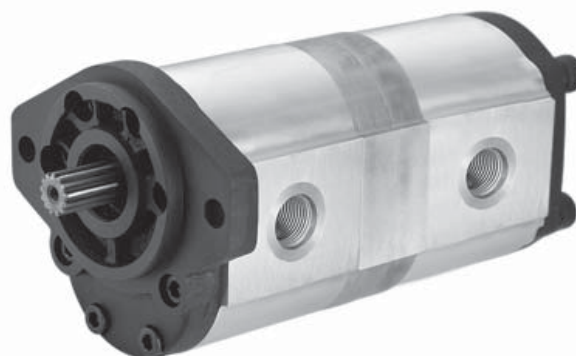
FLUID COMPONENTS, INC.

Hydraulic Gear Pumps Double & Triple Pumps

Dynamic gear pump models GP-F10, GP-F20 and GP-F25 are available with features that allow pumps to be stacked to produce double and triple pumps from the base model. Technical data, including displacement sizes, working pressure, rated speed, etc. is as per the first pump position pump model. For example model GP-F20D-12/08-S9-C is a double pump with displacements of 12 and 8 cm³/rev (.73 and .48 in³/rev) rated at 2000 rpm and 2900 psi with a 9-tooth spline drive shaft and clockwise rotation.

Recommended working conditions:

- FILTRATION: 25 micron or better
- OIL VISCOSITY: 7 - 700 cSt
- INLET PRESSURE: 12 - 32 psi absolute
- OIL TEMPERATURE: -25° - 80° C (-12° - 175° F)
- AMBIENT -22° - 55° C (-8° - 130° F)



Installation Data

Contact Dynamic for installation information on specific models. Custom stacked pumps can also be produced by special order. Consult factory for details.

Ordering Example: Category **GP** - Series/Stack **F20D** - Pump 1 Size **12** / Pump 2 Size **08** / Pump 3 Size - Drive Shaft **P** - Rotation **C** - Inlet

Category	Series	Stack	Pump Sizes	Drive Shaft	Rotation	Inlet
Gear Pump	F10 = "AA" Mount F20 = "A" Mount F25* = "B" Mount	D = Double T* = Triple	Displacement options below	Shaft options below	C = Clockwise A = Counter-Clockwise (viewed from shaft end)	omit = dual inlet SI = single inlet

F10 - Disp. Options

Model	Displacement in ³ (cm ³) / rev
GP-F10-13	0.07 (1.3)
GP-F10-20	0.12 (2.0)
GP-F10-27	0.16 (2.7)
GP-F10-34	0.20 (3.4)
GP-F10-41	0.25 (4.1)
GP-F10-51	0.31 (5.1)
GP-F10-61	0.37 (6.1)
GP-F10-80	0.48 (8.0)
F10 Shaft Options	
P = 1/2" dia. Straight	

F20 - Disp. Options

Model	Displacement in ³ (cm ³) / rev
GP-F20-04	0.24 (4)
GP-F20-06	0.36 (6)
GP-F20-08	0.48 (8)
GP-F20-10	0.61 (10)
GP-F20-12	0.73 (12)
GP-F20-14	0.85 (14)
GP-F20-16	0.97 (16)
GP-F20-20	1.22 (20)
GP-F20-25	1.52 (25)
GP-F20-30	1.83 (30)
GP-F20-32	1.95 (32)
F20 Shaft Options	
P = 5/8" dia. Straight	
P1* = 3/4" dia. Straight	
S9* = 9-tooth Spline	
S11* = 11-tooth Spline	

F25 - Disp. Options

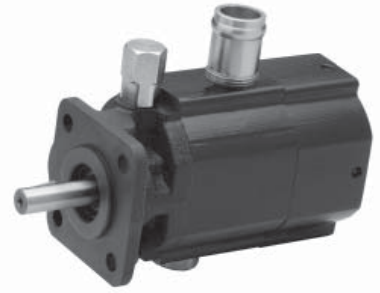
Model	Displacement in ³ (cm ³) / rev
GP-F25-22	1.34 (22)
GP-F25-26	1.57 (26)
GP-F25-34	2.07 (34)
GP-F25-39	2.38 (39)
GP-F25-43	2.62 (43)
GP-F25-51	3.11 (51)
GP-F25-60	3.84 (60)
GP-F25-70	4.27 (70)
GP-F25-78	4.76 (78)
GP-F25-89	5.43 (89)
F25 Shaft Options	
P* = 7/8" dia. Straight	
S13* = 13-tooth Spline	

Please Note:

Only F10 and F20 double pumps with dual inlets and the standard "P" shaft can be built in-house. All other double and triple pumps are special order and come direct from the factory.

* Special Order

Hydraulic Gear Pump Model GP-CBN



Model GP-CBN is a HI/LO hydraulic gear pump with 12 displacement combinations with maximum pressures of 900 psi for the low pressure pump and 3000 psi for the high pressure pump. The change from LO to HI pressure is automatic with the LO pressure preset from 400 to 900 psi (preset at approx. 450 psi). The HI/LO pump is all cast iron. Applications for HI/LO pumps include log splitters, presses, etc. where rapid movement of the cylinder at low pressure is required prior to automatically switching to the high pressure mode to meet load requirements.

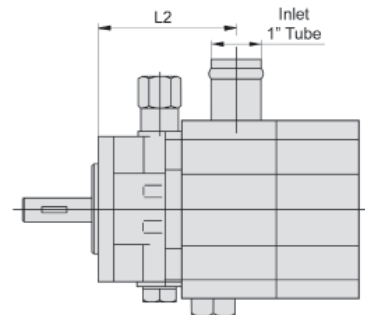
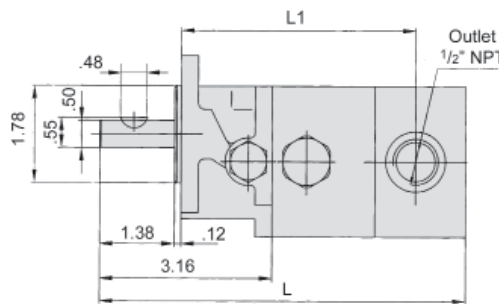
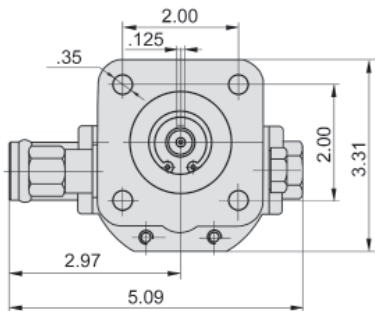
Recommended working conditions:

FILTRATION: 25 micron or better OIL VISCOSITY: 7 - 700 cSt INLET PRESSURE: 12 - 32 psi absolute
 OIL TEMP: -25° - 80° C (-12° - 175° F) AMBIENT -22° - 55° C (-8° - 130° F)

Technical Specifications

Model	Flow at 3600 rpm (gpm)	Displacement in ³ /rev (cm ³ /rev)		Pressure psi		Speed (rpm)	Dimensions			Weight (lbs)
		LO	HI	LO	HI		L	L1	L2	
GP-CBN-080-P-C	8	0.130 (2.1)	.385 (6.3)	400/900	3000	3600	6.07"	3.74"	2.41"	8.8
GP-CBN-090-P-C	9	0.220 (3.6)	.385 (6.3)	400/900	3000	3600	6.28"	3.90"	2.41"	9.2
GP-CBN-110-P-C	11	0.189 (3.1)	.537 (8.8)	400/900	3000	3600	6.61"	4.24"	2.74"	9.8
GP-CBN-130-P-C	13	0.189 (3.1)	.665 (10.9)	400/900	3000	3600	7.00"	4.53"	3.04"	10.8
GP-CBN-160-P-C	16	0.256 (4.2)	.793 (13.0)	400/900	3000	3600	6.70"	4.37"	3.04"	11.5

Flow Rate (gpm) = Displacement (in³/rev) X Speed (rpm) / 231
 Volumetric efficiency % ≥93



Ordering Example: Category **GP** - Series **CBN** - Displacement **160** - Drive Shaft **P** - Rotation **C**

Category	Series	Nominal Flow gpm at 3600	Drive Shaft**	Rotation
GP = Gear Pump	CBN = HI/LO Series	080/090/110/ 130/160	P = 1/2" dia. Straight	C = Clockwise (viewed from shaft end)

* Special Order
 ** Additional shaft and flow rate options available by special order. Please consult factory.

Seal kits for CBN gear pumps are available. See page 126 for details.



FLUID COMPONENTS, INC.

Hydraulic Gear Pump

Model GP-CBN

22 and 28 gpm Models



Model GP-CBN is a HI/LO hydraulic gear pump offers maximum pressures of 900 psi for the low pressure pump and 3000 psi for the high pressure pump. The change from LO to HI pressure is automatic with the LO pressure preset from 400 psi to 900 psi (preset at approx. 850 psi). The HI/LO pump is all cast iron. Applications for HI/LO pumps include log splitters, presses, etc. where rapid movement of the cylinder at low pressure is required prior to automatically switching to the high pressure mode to meet load requirements.

Technical Specifications

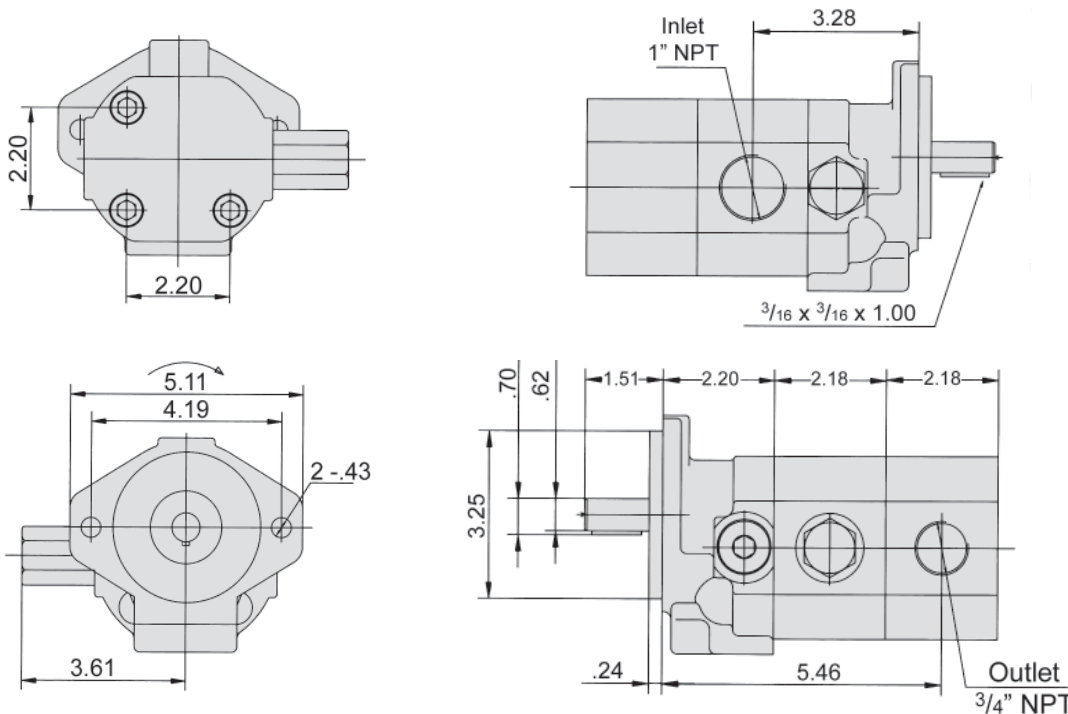
Recommended working conditions:

Model	Flow at 3600 rpm (gpm)	Displacement in ³ /rev (cm ³ /rev)		Pressure (psi)		Speed (rpm)	Weight (lbs)
		LO	HI	LO	HI		
GP-CBN-220-P-C	22	0.465 (7.63)	0.93 (15.26)	400/900	3000	3600	18.6
GP-CBN-280-P-C	28	0.465 (7.63)	1.395 (22.88)	400/900	3000	3600	19.7

FILTRATION: 25 micron or better
 OIL VISCOSITY: 7 - 700 cSt
 INLET PRESSURE: 12 - 32 psi abs.
 OIL TEMP: -25° - 80°C (-12° - 175°F)
 AMBIENT TEMP: -22° - 55°C (-8° - 130°F)

Flow Rate (gpm) = Displacement (in³/rev) X Speed (rpm) / 231 Volumetric efficiency % ≥93

Installation Data



Ordering Example: **GP** - **CBN** - **280** - **P** - **C**

Category Series Displacement Drive Shaft Rotation

Category	Series	Nominal Flow gpm at 3600	Drive Shaft**	Rotation
GP = Gear Pump	CBN = HI/LO Series	220 = 22 gpm 280 = 28 gpm	P = 5/8" dia. Straight	C = Clockwise (viewed from shaft end)

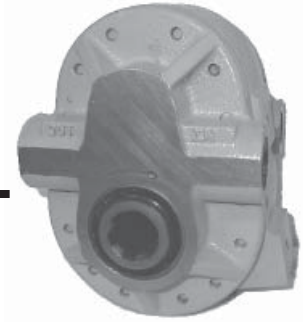
** Additional shaft options available. Please consult factory.

Seal kits for CBN gear pumps are available. See page 126 for details.



FLUID COMPONENTS, INC.

Side Port PTO Gear Pump Model GP-PTO



Model GP-PTO is a Power Take Off gear pump constructed with cast iron end plates and an aluminum center section. It offers 4 displacement sizes from 3.41 to 9.76 in³/rev (56-160 cm³/rev). Standard drive is 1 3/8" diameter 6-tooth female spline.

Technical Specifications

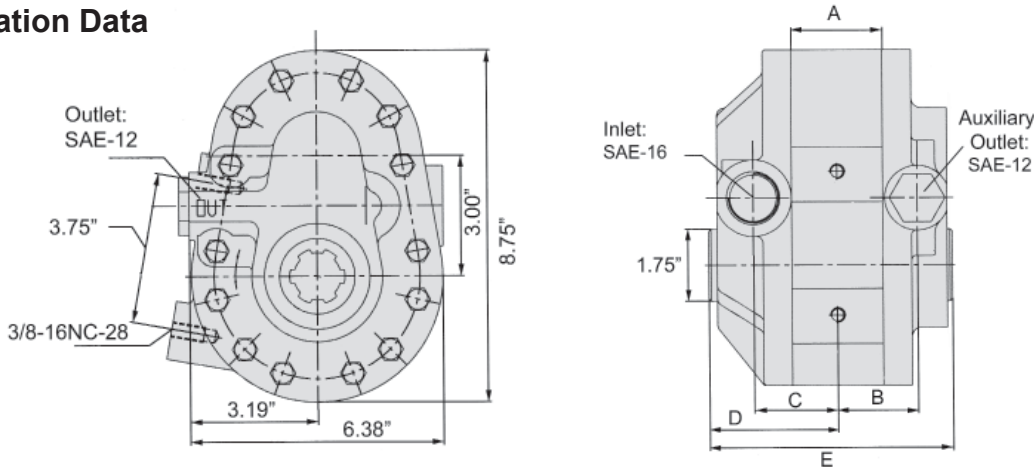
Model	Displacement (in ³ (cm ³) / rev)	Pressure (psi)	Speed		Weight (lbs)
			Rated	Max	
GP-PTO-A-3-6-S	3.41 (56)	2500	540	595	33
GP-PTO-A-3-21-S	3.41 (56)	2500	1000	1100	33
GP-PTO-A-5-6-S	5.50 (90)	2500	540	595	36
GP-PTO-A-5-21-S	5.50 (90)	2500	1000	1100	36
GP-PTO-A-7-6-S	7.62 (125)	2500	540	595	38
GP-PTO-A-9-6-S	9.76 (160)	2500	540	595	40

Recommended working conditions:

FILTRATION: 25 micron or better
 OIL VISCOSITY: 7 - 700 cSt
 INLET PRESSURE: 12 - 32 psi abs.
 OIL TEMP: -25° - 80° C (-12° - 175° F)
 AMBIENT: -22° - 55° C (-8° - 130° F)

Flow Rate (gpm) = Displacement (in³/rev) X Speed (rpm) / 231
 Volumetric efficiency % ≥93

Installation Data



Model	A	B	C	D	E
GP-PTO-A-3-*	1.26"	1.54"	1.63"	2.78"	5.23"
GP-PTO-A-5-*	1.62"	1.72"	1.81"	2.97"	5.60"
GP-PTO-A-7-*	2.00"	1.91"	2.00"	3.16"	5.97"
GP-PTO-A-9-*	2.37"	2.09"	2.19"	3.35"	6.35"

Ordering Example: **GP** - **PTO** - **A** - **5** - **6** - **S**

Category	Series	Center Section	Displacement	Drive	Ports
Gear Pump	PTO = Power Take Off Gear Pump	A = Aluminum	3/5/7/9	6 = 6-tooth Spline 21* = 21-tooth Spline	S = Side Ports

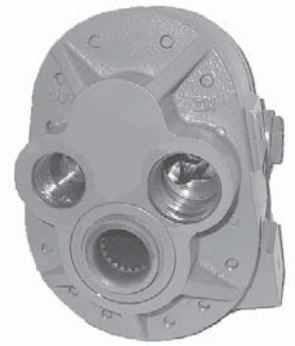
*21-tooth Spline option only available on size 3 & 5 pumps by special order - minimum quantities may be required.

Seal kits for PTO pumps are available. See page 126 for details.



FLUID COMPONENTS, INC.

Rear Port PTO Gear Pump Model GP-PTO



Model GP-PTO is a rear-ported, Power Take Off gear pump constructed with cast iron end plates and an aluminum center section. This pump offers a 9.76 in³/rev (160 cm³/rev) displacement and higher flows at reduced engine rpm as compared to other PTO pumps. Standard drive is 1 3/8" diameter 21-tooth female spline.

Recommended working conditions:

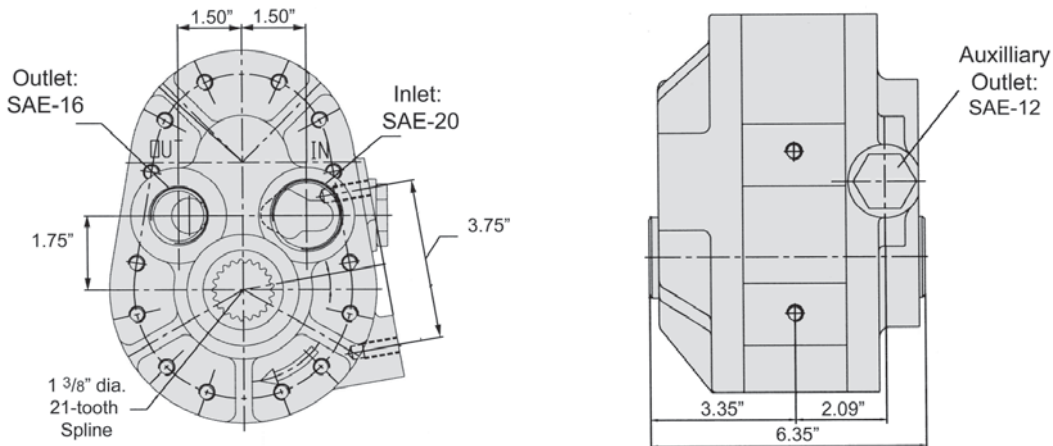
- FILTRATION: 25 micron or better
- OIL VISCOSITY: 7 - 700 cSt
- INLET PRESSURE: 12 - 32 psi abs.
- OIL TEMPERATURE: -25° - 80°C (-12° - 175°F)
- AMBIENT TEMPERATURE: -22° - 55°C (-8° - 130°F)

Technical Specifications

Model	Displacement		Pressure	Speed		Weight
	in ³ /rev	cm ³ /rev	psi	Rated	Max	Lbs
GP-PTO-A-9-21-R	9.76	160	2500	1000	1100	40

Flow Rate (gpm) = Displacement (in³/rev) X Speed (rpm) / 231
 Volumetric efficiency % ≥93

Installation Data



Ordering Example: GP - PTO - A - 9 - 21 - R

Category	Series	Center Section	Displacement	Drive	Ports
Gear Pump	PTO = Power Take Off Gear Pump	A = Aluminum	9	21 = 21-tooth Spline	R = Rear Ports

Seal kits for PTO pumps are available. See page 126 for details.

Dynamic Fluid Components offers an extensive range of Low Speed High Torque (LSHT) **ROTORTORC™** and **ROLORTORC™** Hydraulic Motors.

Dynamic motors are manufactured in accordance with ISO 9000-2000 quality standards and have been accepted world wide as a competitively priced, high-quality product. These motors are interchangeable with many leading domestic and European manufacturers. Performance-driven, these products are available from stock throughout the North American market from our extensive distributor network.

USER GUIDE

For optimal utilization of these motors the following is recommended.

1. Normal oil operating temperature should be 70 to 150°F (20 to 60°C).
2. Maximum operating temperature should not exceed 190°F (90°C).
3. Filtration level per ISO Cleanliness Code level 18/3.
4. Minimum oil viscosity should be 100 SUS.
5. Motors should be operated at less than 30% of rated performance for the first hour of operation.
6. Simultaneous maximum torque and maximum speed is NOT recommended.

TECHNICAL DATA

Dynamic motors are offered with either a **ROTORTORC™** or **ROLORTORC™** gear set. The Rotortorc™ gear set employs an interlocking set of teeth making them suitable for long operating periods at moderate pressures or short operating periods at high pressures. Rolortorc™ gear sets have rollers added to the outer ring which act as a roller bearings, reducing friction and wear and increasing mechanical efficiency. This extends the operating life and provides better efficiency at continuous high pressures. The BMM & BMPH models use the Rotortorc™ design, while the BMRS, BMSY, BMH, BMT, BMV, BMER-2 and BMK6 use the Rolortorc™ design.

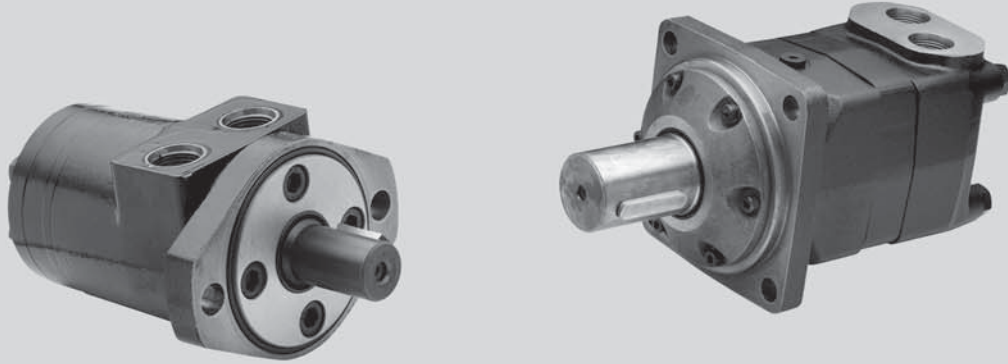
Rotortorc™



Rolortorc™



Model	Distributor Type	Displacement		Maximum Operating Pressure (psi)	Speed (rpm)
		(in ³ /rev)	(cm ³ /rev)		
BMM	Disc	.5-3.0	8-50	1450	400-1950
BMPH	Axial	2.2-24	36-387	1840	150-1050
BMRS	Axial	3.2-23	52-381	2576	160-755
BMSY	Disc	4.9-29	81-475	3045	155-800
BMH	Axial	12-30	203-489	2580	155-366
BMER-2	Disc	7.2-45	118-745	2973	100-360
BMT	Disc	9.9-49	161-801	2944	154-614
BMV	Disc	20-60	333-990	2900	185-446
BMK6	Disc	12-60	196-982	2900	152-765



Hydraulic Motor TABLE OF CONTENTS

Low Speed High Torque (Rotortorc™ & Rolortorc™) Motors	Page
BMM (Rotortorc™) - Interchangeable w/ Char-Lynn® 129-XXXX, Danfoss OMM & Others	49-55
BMPH (Rotortorc™) - Interchangeable w/ Char-Lynn® 101-XXXX & Others	56-64
BMRS (Rolortorc™) - Interchangeable w/ Char-Lynn® 103-XXXX & Others	65-71
BMSY (Rolortorc™) - Interchangeable w/ Char-Lynn® 104-XXXX, 105-XXXX & Others	72-78
BMH (Rolortorc™) - Interchangeable w/ Danfoss OMH & Others	79-85
BMER-2 (Rolortorc™) - Interchangeable w/ White 500/501 & 530/531 & Others	86-96
BMER-4 (Rolortorc™) - Interchangeable w/ White 520/521 & Others	97
BMT (Rolortorc™) - Interchangeable w/ Char-Lynn® 4000 Series & Others	98-104
BMV (Rolortorc™) - Interchangeable w/ Danfoss OMV & Others	105-111
BMK6 (Rolortorc™) - Interchangeable w/ Char-Lynn® 6000 Series & Others	112-119

* Dynamic motors are interchangeable with many leading domestic and European manufacturers including, Char-Lynn®, Danfoss, White, Parker, RR USA and others. For a list of our most common crossovers, see pages 128-136. Additional crossovers are available by calling: 800-988-1276.

Gear Motors

GM-F10 ("AA" Mount - Gear Motor)	120
GM-F20 ("A" Mount - Gear Motor)	121



FLUID COMPONENTS, INC.

Hydraulic Motor Model BMM



The BMM Rotortorc™ gear set, shaft distribution flow, hydraulic motors are a compact, highly efficient, low speed-high torque design which can be used in either parallel or series systems. These low weight advanced construction design motors are manufactured in accordance with the requirements of the ISO 9000-2000 quality system.

Technical Specifications

MODEL		BMM 8	BMM 12.5	BMM 20	BMM 32	BMM 40	BMM 50
Displacement <i>in³/rev (cm³/rev)</i>		0.50 (8.2)	0.76 (12.9)	1.21 (19.9)	1.93 (31.6)	2.43 (39.8)	3.07 (50.3)
	Max Speed <i>rpm</i>	Cont. 1950 Int. 2450	1550 1940	1000 1250	630 800	500 630	400 500
Max Torque <i>in•lbf</i>	Cont. 97 Int. 132	141 203	221 310	354 504	398 620	407 779	
	Max Differential <i>psi</i>	Cont. 1450 Int. 2030	1450 2030	1450 2030	1450 2030	1233 1740	1015 1450
Max Flow <i>gpm</i>	Cont. 3.96 Int. 5.28	5.28 6.60	5.28 6.60	5.28 6.60	5.28 6.60	5.28 6.60	
	Weight	4.30 lbs	4.50 lbs	4.72 lbs	4.95 lbs	5.00 lbs	5.10 lbs

Continuous = maximum of continuous operation. Intermittent = maximum operating range for 6 seconds per minute

	Max Inlet Pressure
Cont.	2538 psi
Int.	3263 psi

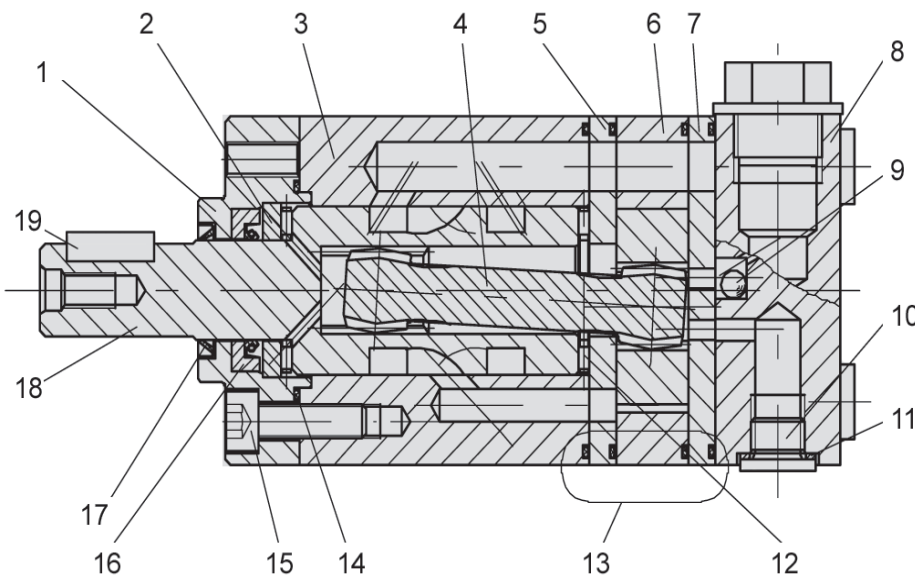


Diagram Key

- 1 Front Cover
- 2 Thrust Washer
- 3 Housing
- 4 Drive Link
- 5 Front Plate
- 6 Rotortorc Gear Set
- 7 End Plate
- 8 End Cover
- 9 Ball
- 10 Drain Plug
- 11 Washer
- 12 Axial Needle Bearing
- 13 "O" Ring
- 14 "O" Ring
- 15 Screw
- 16 Shaft Seal
- 17 Dust Deal
- 18 Shaft
- 19 Key

GAUGES & ACCESSORIES

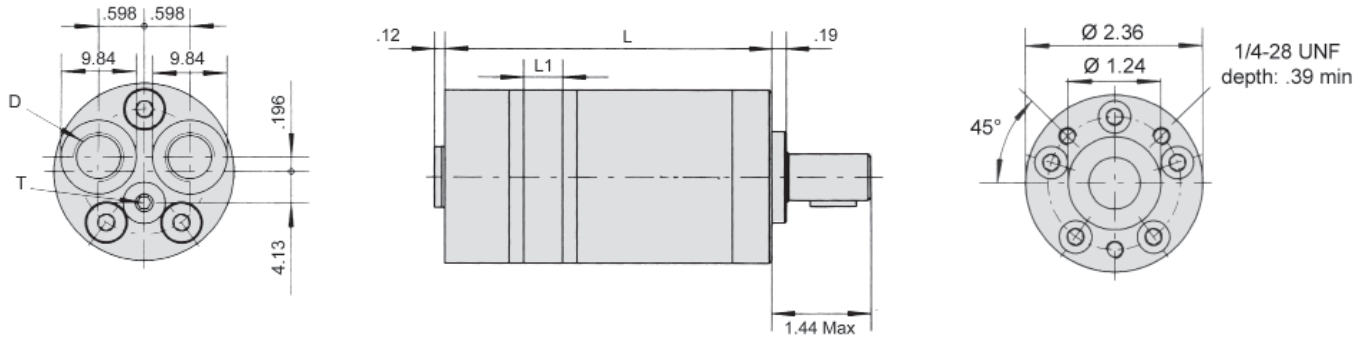
HYDRAULIC PUMPS

HYDRAULIC MOTORS

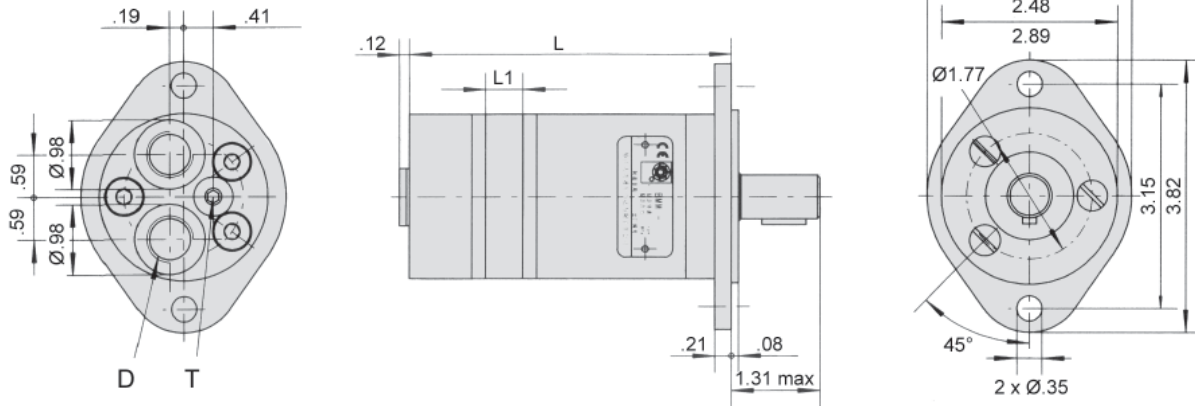
APPENDIX

BMM End Port Installation Data

U - Circle Flange



F - 2-Bolt

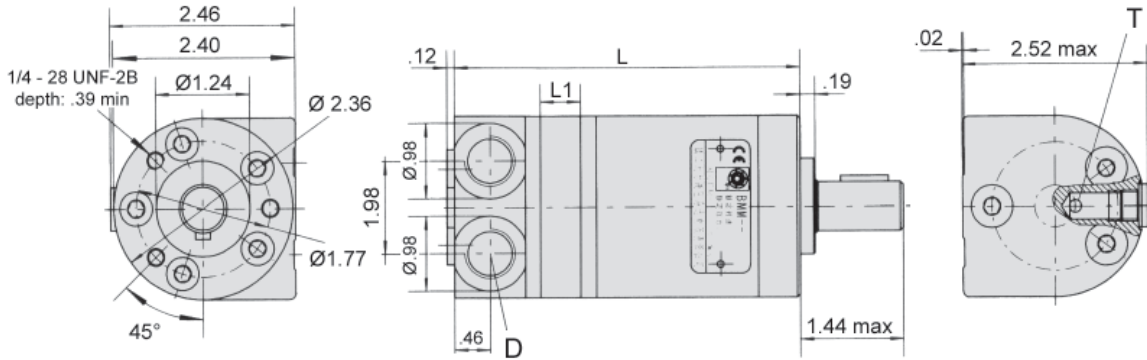


MODEL	U Mount		F Mount	
	L	L1	L	L1
BMM 8	4.09"	.13"	4.21"	.13"
BMM 12.5	4.17"	.21"	4.29"	.21"
BMM 20	4.29"	.33"	4.40"	.33"
BMM 32	4.48"	.53"	4.62"	.53"
BMM 40	4.64"	.67"	4.76"	.67"
BMM 50	4.80"	.84"	4.92"	.84"

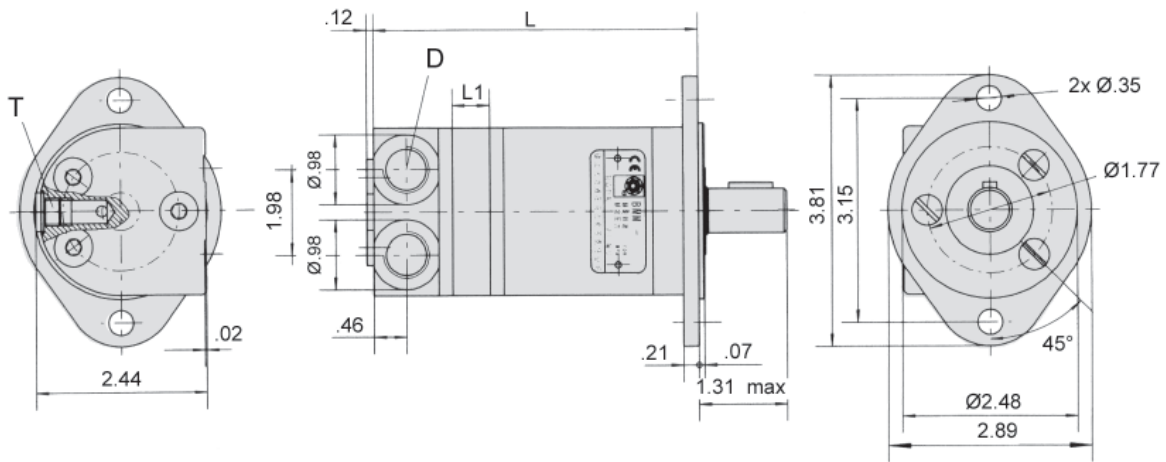
Port Sizes	U Mount	F Mount
D	9/16 - 18 SAE	9/16 - 18 SAE
T	3/8 - 24 SAE	3/8 - 24 SAE

BMM Side Port Installation Data

U - Circle Flange



F - 2-Bolt

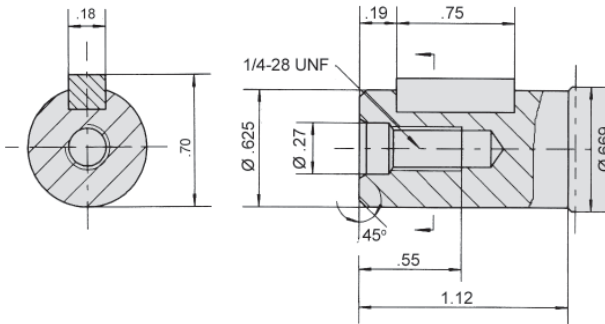


MODEL	U Mount		F Mount	
	L	L1	L	L1
BMM 8	4.13"	.13"	4.29"	.13"
BMM 12.5	4.21"	.21"	4.37"	.21"
BMM 20	4.33"	.33"	4.48"	.33"
BMM 32	4.52"	.53"	4.68"	.53"
BMM 40	4.64"	.67"	4.80"	.67"
BMM 50	4.84"	.84"	5.00"	.84"

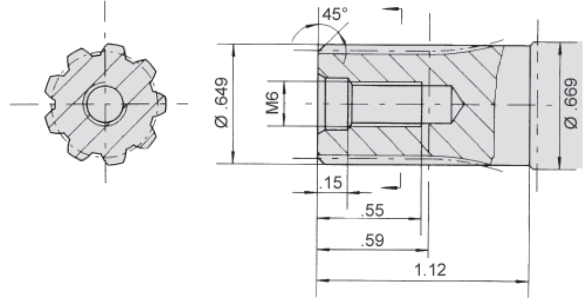
Ports	U Mount	F Mount
D	9/16 - 18 SAE	9/16 - 18 SAE
T	3/8 - 24 SAE	3/8 - 24 SAE

BMM Drive Shaft Data

B - 5/8" Straight Key



C - 9 Tooth Spline



Ordering Example: Model **BMM** - Frame Size **20** - Flange **U** - Drive Shaft **B** - Ports **1U**

Model	Frame Size	Mounting Flange	Drive Shaft	Port Location & Size
BMM	8 (0.50) 12.5 (0.76) 20 (1.22) 32 (1.95) 40 (2.44) 50 (3.07)	U = Circle Flange F = 2-Bolt	B = 5/8" Straight Key C* = 9-Tooth Spline	U = Side Port: 9/16" - 18 SAE 1U = Back Port: 9/16" - 18 SAE

*Special Order

Seal kits for BMM Motors are available for purchase. Order seal kit using item description: "BMM Seal Kit".

BMM 8		0.50 in³/rev (8.2 cm³/rev)			<i>Max Cont.</i>	<i>Max Int.</i>	
Pressure (psi →)		510	725	1015	1450	1750	2030
F L O W	(gpm ↓)	Torque (in•lbf) Speed Specification					
	0.52	27	44	71	89	106	124
		228 rpm	218 rpm	206 rpm	156 rpm	111 rpm	58 rpm
	1.05	27	44	62	97	115	133
		474 rpm	471 rpm	463 rpm	426 rpm	391 rpm	331 rpm
	2.10	27	44	62	97	115	133
		953 rpm	946 rpm	926 rpm	884 rpm	855 rpm	816 rpm
	3.15	18	44	62	89	115	133
		1444 rpm	1426 rpm	1402 rpm	1360 rpm	1324 rpm	1288 rpm
	3.95 <i>Max Cont.</i>		35	62	89	106	124
		1912 rpm	1900 rpm	1861 rpm	1833 rpm	1780 rpm	
5.25 <i>Max Int.</i>			53	89	97	124	
			2395 rpm	2350 rpm	2328 rpm	2281 rpm	

BMM 12.5		0.76 in³/rev (12.9 cm³/rev)			<i>Max Cont.</i>	<i>Max Int.</i>	
Pressure (psi →)		510	725	1015	1450	1750	2030
F L O W	(gpm ↓)	Torque (in•lbf) Speed Specification					
	0.52	53	71	97	142	168	
		140 rpm	136 rpm	119 rpm	68 rpm	35 rpm	
	1.05	53	71	106	150	168	204
		296 rpm	289 rpm	274 rpm	229 rpm	200 rpm	145 rpm
	2.10	44	71	106	150	177	212
		605 rpm	596 rpm	583 rpm	543 rpm	514 rpm	469 rpm
	3.15	44	71	97	142	177	212
		912 rpm	905 rpm	895 rpm	859 rpm	834 rpm	784 rpm
	3.95	44	62	97	142	168	204
1152 rpm		1144 rpm	1136 rpm	1102 rpm	1078 rpm	1036 rpm	
5.25 <i>Max Cont.</i>	27	62	89	133	168	195	
	1542 rpm	1532 rpm	1521 rpm	1500 rpm	1482 rpm	1437 rpm	
6.57 <i>Max Int.</i>	18	53	80	124	159	195	
	1910 rpm	1891 rpm	1878 rpm	1848 rpm	1828 rpm	1788 rpm	

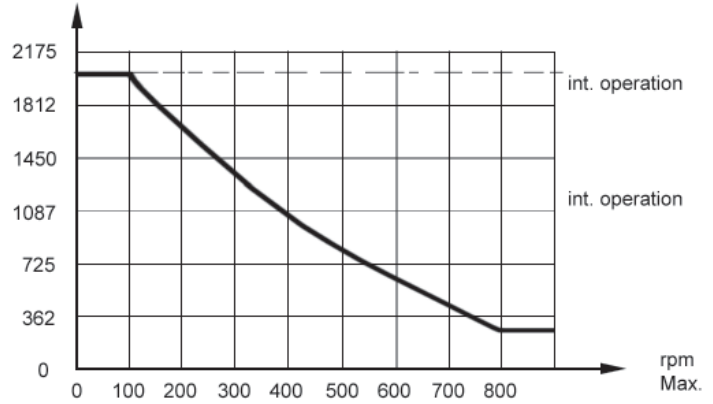
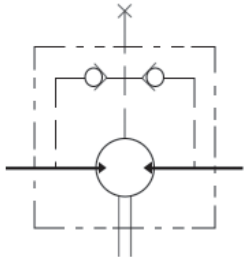
BMM 20		1.21 in³/rev (19.9 cm³/rev)			<i>Max Cont.</i>	<i>Max Int.</i>		
Pressure (psi →)		246	510	725	1015	1450	1750	2030
F L O W	(gpm ↓)	Torque (in•lbf) Speed Specification						
	0.52	27	80	124	168	230	266	
		99 rpm	96 rpm	89 rpm	74 rpm	42 rpm	21 rpm	
	1.05	35	80	124	168	230	274	319
		197 rpm	191 rpm	182 rpm	178 rpm	134 rpm	112 rpm	74 rpm
	2.10	35	80	115	168	239	274	319
		398 rpm	395 rpm	391 rpm	377 rpm	340 rpm	319 rpm	288 rpm
	3.15	27	71	115	159	230	274	327
		596 rpm	594 rpm	588 rpm	579 rpm	545 rpm	523 rpm	493 rpm
	3.95	27	71	106	150	221	266	319
745 rpm		741 rpm	738 rpm	728 rpm	695 rpm	684 rpm	660 rpm	
5.25 <i>Max Cont.</i>	9	53	97	168	212	257	310	
	998 rpm	995 rpm	991 rpm	985 rpm	962 rpm	916 rpm	885 rpm	
6.57 <i>Max Int.</i>		35	80	124	204	248	292	
		1247 rpm	1245 rpm	1242 rpm	1189 rpm	1180 rpm	1176 rpm	

BMM 32		1.90 in³/rev (31.6 cm³/rev)				<i>Max Cont.</i>	<i>Max Int.</i>		
Pressure (psi →)		290	510	725	1015	1450	1750	2030	
FLOW	(gpm ↓)	Torque (in•lbf) Speed Specification							
	0.52	62	133	186	248	354			
		61 rpm	57 rpm	52 rpm	47 rpm	16 rpm			
	1.05	62	133	186	257	363	425	504	
		126 rpm	121 rpm	114 rpm	106 rpm	82 rpm	67 rpm	49 rpm	
	2.10	62	133	186	257	363	434	513	
		250 rpm	244 rpm	239 rpm	231 rpm	207 rpm	194 rpm	167 rpm	
	3.15	53	115	177	248	354	425	513	
		378 rpm	374 rpm	369 rpm	362 rpm	338 rpm	322 rpm	297 rpm	
	3.95	35	106	159	238	345	416	504	
		476 rpm	472 rpm	468 rpm	462 rpm	441 rpm	429 rpm	406 rpm	
	5.25 <i>Max Cont.</i>	27	89	150	221	327	407	487	
633 rpm		630 rpm	627 rpm	619 rpm	601 rpm	585 rpm	566 rpm		
6.57 <i>Max Int.</i>	9	71	133	204	310	381	460		
	791 rpm	789 rpm	787 rpm	783 rpm	766 rpm	753 rpm	732 rpm		

BMM 40		2.39 in³/rev (39.8 cm³/rev)				<i>Max Cont.</i>	<i>Max Int.</i>	
Pressure (psi →)		510	725	1015	1233	1450	1750	
FLOW	(gpm ↓)	Torque (in•lbf) Speed Specification						
	0.52	142	239	319	389	451		
		45 rpm	40 rpm	34 rpm	28 rpm	17 rpm		
	1.05	142	239	327	389	460	549	
		96 rpm	93 rpm	85 rpm	79 rpm	65 rpm	52 rpm	
	2.10	133	230	319	389	460	558	
		197 rpm	195 rpm	182 rpm	176 rpm	166 rpm	154 rpm	
	3.15	124	221	310	381	451	549	
		293 rpm	287 rpm	282 rpm	277 rpm	268 rpm	257 rpm	
	3.95	115	212	301	372	443	549	
		371 rpm	365 rpm	360 rpm	355 rpm	347 rpm	338 rpm	
	5.25 <i>Max Cont.</i>	89	186	274	345	425	522	
497 rpm		492 rpm	487 rpm	480 rpm	472 rpm	463 rpm		
6.57 <i>Max Int.</i>	62	168	257	327	389	496		
	622 rpm	617 rpm	612 rpm	607 rpm	600 rpm	591 rpm		

BMM 50		3.02 in³/rev (50.3 cm³/rev)				<i>Max Cont.</i>	<i>Max Int.</i>
Pressure (psi →)		218	510	725	1015	1450	
FLOW	(gpm ↓)	Torque (in•lbf) Speed Specification					
	0.52	97	204	319	443		
		37 rpm	33 rpm	27 rpm	22 rpm		
	1.05	97	195	319	443	620	
		76 rpm	73 rpm	68 rpm	63 rpm	55 rpm	
	2.10	97	186	310	443	628	
		157 rpm	154 rpm	149 rpm	145 rpm	137 rpm	
	3.15	97	177	292	434	628	
		237 rpm	234 rpm	231 rpm	226 rpm	218 rpm	
	3.95	89	159	283	415	611	
		296 rpm	295 rpm	294 rpm	288 rpm	282 rpm	
	5.25 <i>Max Cont.</i>	71	124	257	389	566	
395 rpm		395 rpm	393 rpm	390 rpm	381 rpm		
6.57 <i>Max Int.</i>	35	89	221	354	522		
	498 rpm	496 rpm	494 rpm	490 rpm	484 rpm		

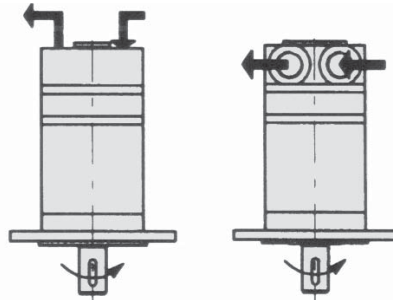
Shaft Seal Rated Pressure



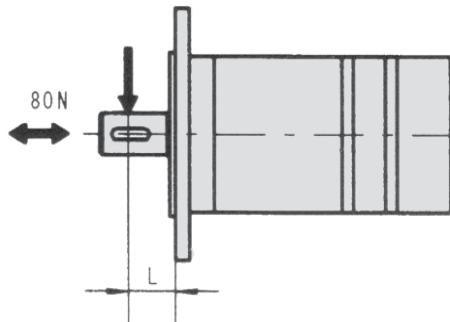
Case Drain

In applications without a motor drain line, the pressure exerted on the shaft seal is marginally in excess of the return line pressure. When the drain line is used the pressure exerted on the shaft seal is equal to the return line pressure.

Shaft Rotation Direction



Radial Forces



$$F_r = \frac{130400}{61.5 + L} n$$

F_r = Radial Force (daN)
 L = Distance (mm)
 n = Speed (rpm)

Rhomb Flange $L=15\text{mm}$
 Square Flange $L=20\text{mm}$

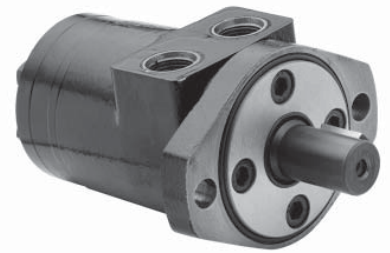
DYNAMIC

FLUID COMPONENTS, INC.

Hydraulic Motor Model BMPH



The BMPH Rotortor™ gear set, shaft distribution flow, hydraulic motor is a compact, highly efficient, low speed-high torque design which can be used in either parallel or series systems. These low weight advanced construction design motors are manufactured in accordance with the requirements of the ISO 9000-2000 quality system.



Technical Specifications

MODEL		BMPH 36	BMPH 50	BMPH 80	BMPH 100	BMPH 125	BMPH 160	BMPH 200	BMPH 250	BMPH 315	BMPH 400
Displacement <i>in³/rev (cm³/rev)</i>		2.20 (36.0)	3.15 (51.7)	4.74 (77.7)	5.87 (96.2)	7.20 (120)	9.51 (157)	11.59 (195)	14.66 (240)	19.03 (315)	23.61 (390)
Max Speed <i>rpm</i>	Cont	1500	1150	770	615	490	383	310	250	192	155
	Int.	1650	1450	960	770	615	475	385	310	240	190
Max Torque <i>in•lbf</i>	Cont	487	885	1292	1611	2089	2673	3186	4071	4204	4337
	Int.	673	1133	1646	2009	2567	3275	3894	5045	4912	5133
Max Differential <i>psi</i>	Cont	1813	2031	2031	2031	2031	2031	2031	2031	1813	1450
	Int.	2393	2538	2538	2538	2538	2538	2538	2538	2031	1813
Max Flow <i>gpm</i>	Cont	14.53	15.85	15.85	15.85	15.85	15.85	15.85	15.85	15.85	15.85
	Int.	15.85	19.82	19.82	19.82	19.82	19.82	19.82	19.82	19.82	19.82
Weight		13.90 lbs	13.85 lbs	14.25 lbs	14.45 lbs	14.70 lbs	15.15 lbs	15.60 lbs	16.15 lbs	16.95 lbs	17.75 lbs

Continuous (Cont.) = maximum of continuous operation. Intermittent (Int.) = maximum operating range for 6 seconds per minute

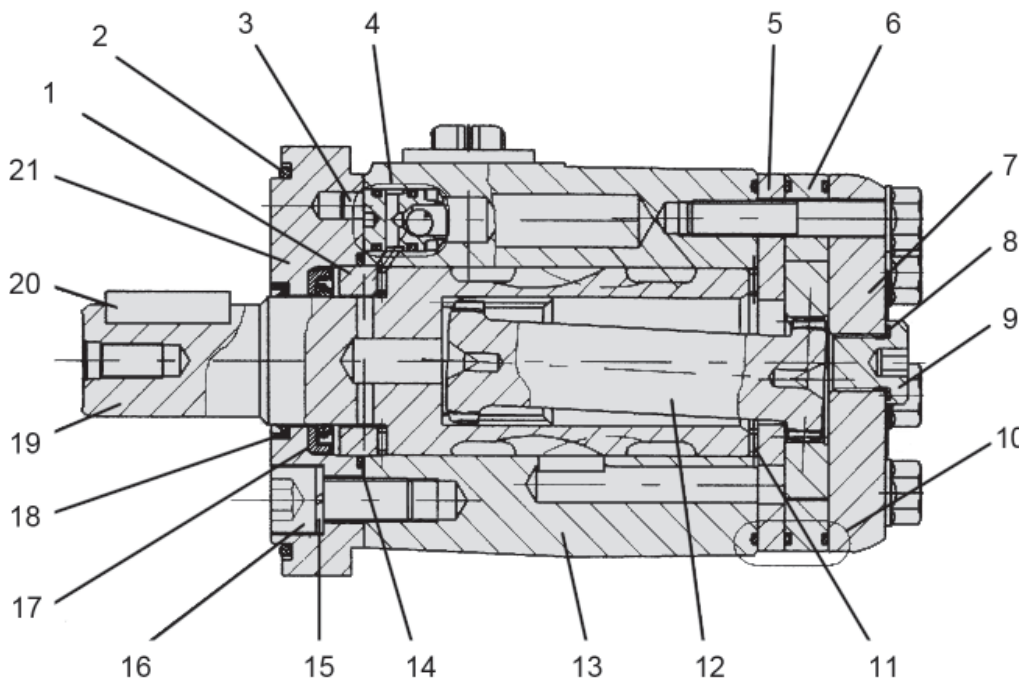
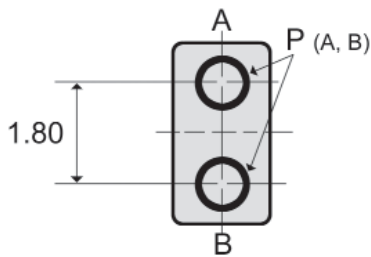
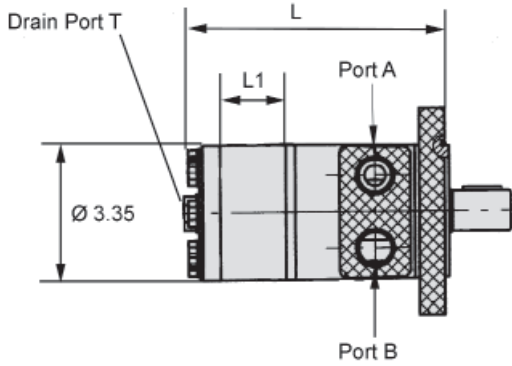


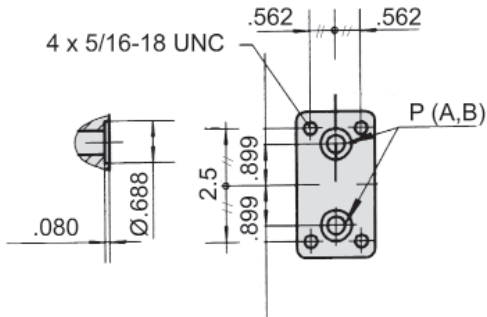
Diagram Key

- 1 Thrust Washer
- 2 "O" Ring
- 3 Pin
- 4 Check Valve
- 5 Wear Plate
- 6 Rolortor™ Gear Set
- 7 End Cover
- 8 Seal
- 9 Case Drain Plug
- 10 "O" Ring
- 11 Thrust Needle Bearing
- 12 Drive Shaft
- 13 Housing
- 14 "O" Ring
- 15 Lock Washer
- 16 Bolt
- 17 Shaft Seal
- 18 Dust Seal
- 19 Output Shaft
- 20 Key
- 21 Front Cover

BMPH Installation Data

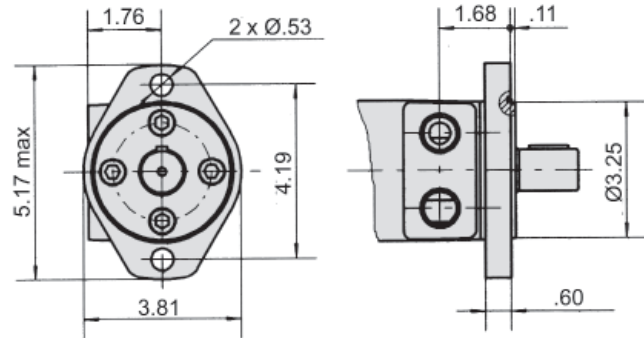


Manifold Mount

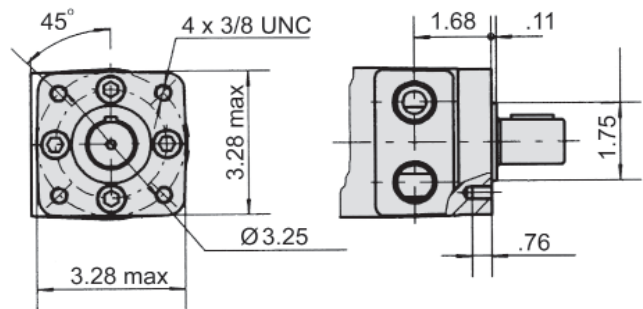


MODEL	L	L1
BMPH 36	5.55"	.28"
BMPH 50	5.55"	.28"
BMPH 80	5.69"	.41"
BMPH 100	5.79"	.51"
BMPH 125	5.91"	.63"
BMPH 160	6.10"	.83"
BMPH 200	6.30"	1.02"
BMPH 250	6.54"	1.26"
BMPH 315	6.93"	1.65"
BMPH 400	7.32"	2.05"

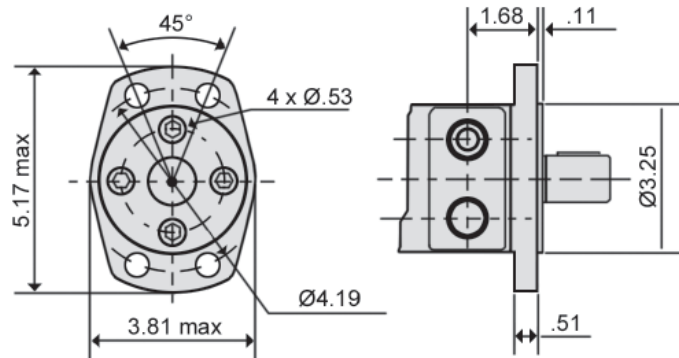
H2 - SAE "A" 2-Bolt



H4 - 4-Bolt



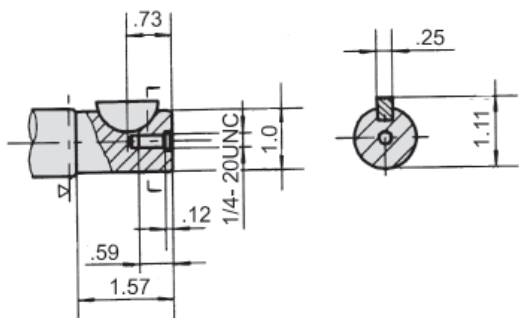
H6 - Magneto



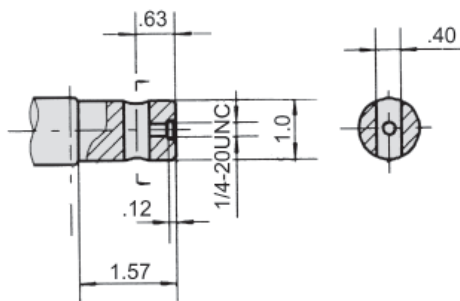
Ports	SAE Sizes	NPT Sizes
P (A, B)	7/8 - 14 SAE	1/2 - 14 NPTF
T	7/16 - 20 SAE	7/16 - 20 SAE

BMPH Drive Shaft Data

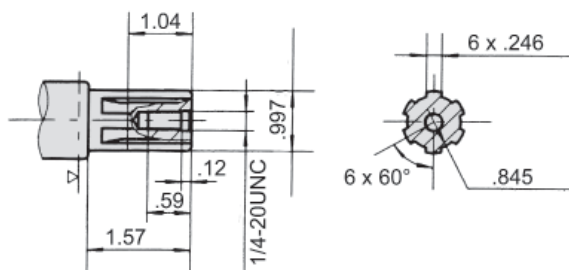
K - 1" Woodruff Key



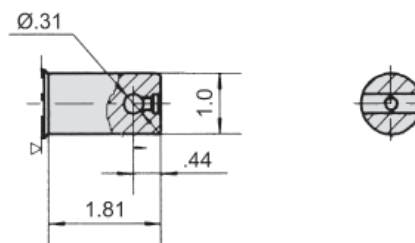
H - 1" Parallel .40 Dia. Cross Hole



S - SAE 6B Spline



H1 - 1" Parallel .31 Dia. Cross Hole



Ordering Example: Model **BMPH** - Frame Size **100** - Flange **H2** - Drive Shaft **K** - Ports **P** - Options

Model	Frame Size	Mounting Flange**	Drive Shaft**	Port Size	Options
BMPH	36 (2.20)	H2 = SAE "A" 2-Bolt	K = 1" Woodruff Key	P = 1/2 NPTF	F* = Free Running
	50 (3.15)	H4 = SAE "A" 4-Bolt	S = SAE 6B Spline	S = 7/8 -14 SAE	N* = 1800 lb. Radial
	80 (4.74)	H6 = Magneto	H = 1" Parallel .40 dia.	F = Manifold	Load Bearings
	100 (5.87)		Cross Hole		R* = Reverse Rotation
	125 (7.20)		H1 = 1" Parallel .31 dia.		
	160 (9.51)		Cross Hole		
	200 (11.59)				
	250 (14.09)				
	315 (19.03)				
	400 (23.61)				

*Special Order

**Additional flange and drive shaft options available please consult factory.

Seal kits for BMPH Motors are available for purchase. Order seal kit using item description: "BMPH Seal Kit".

BMPH Flow Data

BMPH 36		2.20 in ³ /rev (36 cm ³ /rev)						Max Cont.	Max Int.
Pressure (psi →)		435	870	1015	1160	1450	1595	1813	2393
F L O W	(gpm ↓)	Torque (in·lbf) Speed Specification							
	2.11	115.00	221	257	301	381	425		
		214 rpm	205 rpm	200 rpm	194 rpm	187 rpm	179 rpm		
	3.96	115	221	257	301	381	425	496	664
		406 rpm	398 rpm	391 rpm	383 rpm	374 rpm	366 rpm	353 rpm	324 rpm
	5.28	115	212	257	301	381	425	496	673
		541 rpm	534 rpm	528 rpm	521 rpm	513 rpm	500 rpm	486 rpm	458 rpm
	7.93	106	212	257	301	381	425	496	673
		814 rpm	804 rpm	792 rpm	778 rpm	763 rpm	749 rpm	726 rpm	701 rpm
	9.25	106	204	248	301	381	425	496	673
		952 rpm	944 rpm	930 rpm	913 rpm	897 rpm	879 rpm	858 rpm	833 rpm
	10.57	106	204	248	283	363	416	487	664
		1090 rpm	1078 rpm	1064 rpm	1048 rpm	1024 rpm	998 rpm	977 rpm	943 rpm
	11.89	97	195	230	283	363	407	478	655
		1232 rpm	1218 rpm	1196 rpm	1175 rpm	1149 rpm	1118 rpm	1080 rpm	1044 rpm
	14.53 <i>Max Cont.</i>	53	133	195	248	327	389	460	628
1505 rpm		1494 rpm	1480 rpm	1466 rpm	1438 rpm	1406 rpm	1367 rpm	1309 rpm	
15.85 <i>Max Int.</i>	27	97	159	177	266	336	434	593	
	1650 rpm	1640 rpm	1626 rpm	1603 rpm	1571 rpm	1536 rpm	1502 rpm	1446 rpm	

BMPH 50		3.15 in ³ /rev (51.7 cm ³ /rev)						Max Cont.	Max Int.
Pressure (psi →)		435	870	1160	1450	1813	2031	2321	2538
F L O W	(gpm ↓)	Torque (in·lbf) Speed Specification							
	2.11	177	363	496	611	788	841		
		151 rpm	134 rpm	115 rpm	90 rpm	56 rpm	42 rpm		
	3.96	168	354	496	628	805	885	991	1062
		286 rpm	274 rpm	261 rpm	243 rpm	204 rpm	182 rpm	139 rpm	102 rpm
	5.28	159	345	487	628	814	894	1036	1133
		382 rpm	373 rpm	361 rpm	348 rpm	318 rpm	309 rpm	287 rpm	251 rpm
	7.93	150	336	487	628	805	867	1027	1097
		573 rpm	568 rpm	558 rpm	535 rpm	503 rpm	488 rpm	462 rpm	440 rpm
	9.25	150	336	478	611	788	867	1036	1097
		670 rpm	661 rpm	652 rpm	640 rpm	606 rpm	589 rpm	562 rpm	548 rpm
	11.89	124	319	469	593	779	867	1009	1089
		863 rpm	858 rpm	849 rpm	837 rpm	807 rpm	788 rpm	764 rpm	746 rpm
	14.53	106	292	443	575	752	850	982	1071
		1055 rpm	1042 rpm	1028 rpm	1010 rpm	979 rpm	963 rpm	947 rpm	920 rpm
	15.85 <i>Max Cont.</i>	89	283	416	566	735	832	956	1053
1150 rpm		1143 rpm	1126 rpm	1111 rpm	1079 rpm	1065 rpm	1043 rpm	1015 rpm	
19.82 <i>Max Int.</i>	53	221	372	496	673	770	894	991	
		1430 rpm	1416 rpm	1395 rpm	1367 rpm	1351 rpm	1335 rpm	1312 rpm	

BMPH 80		4.74 in ³ /rev (77.7 cm ³ /rev)						<i>Max Cont.</i>		<i>Max Int.</i>
Pressure (psi →)		435	870	1160	1450	1813	2031	2321	2538	
F L O W	(gpm ↓)	Torque (in·lbf) Speed Specification								
	2.11	283	549	752	920	1142	1275			
		97 rpm	87 rpm	74 rpm	55 rpm	33 rpm	22 rpm			
	3.96	283	558	743	947	1115	1275	1460		
		186 rpm	181 rpm	170 rpm	154 rpm	132 rpm	118 rpm	86 rpm		
	5.28	274	558	743	947	1168	1292	1487	1637	
		251 rpm	243 rpm	236 rpm	225 rpm	207 rpm	196 rpm	178 rpm	155 rpm	
	7.93	274	549	735	938	1159	1292	1487	1646	
		381 rpm	379 rpm	368 rpm	355 rpm	332 rpm	316 rpm	285 rpm	263 rpm	
	9.25	266	522	717	903	1151	1275	1478	1637	
		443 rpm	435 rpm	426 rpm	415 rpm	397 rpm	383 rpm	361 rpm	342 rpm	
	11.89	221	513	699	885	1115	1257	1460	1611	
		570 rpm	564 rpm	554 rpm	543 rpm	526 rpm	509 rpm	483 rpm	458 rpm	
	14.53	204	504	690	859	1097	1239	1425	1584	
696 rpm		685 rpm	672 rpm	656 rpm	643 rpm	630 rpm	602 rpm	579 rpm		
15.85 <i>Max Cont.</i>	177	469	664	832	1062	1213	1416	1567		
	761 rpm	753 rpm	744 rpm	736 rpm	720 rpm	706 rpm	681 rpm	660 rpm		
19.82 <i>Max Int.</i>	124	389	593	770	991	1336	1496	1496		
	948 rpm	940 rpm	931 rpm	920 rpm	906 rpm	890 rpm	871 rpm	854 rpm		

BMPH 100		5.87 in ³ /rev (96.2 cm ³ /rev)						<i>Max Cont.</i>		<i>Max Int.</i>
Pressure (psi →)		435	870	1160	1450	1813	2031	2321	2538	
F L O W	(gpm ↓)	Torque (in·lbf) Speed Specification								
	2.11	354	682	929	1151	1425	1593			
		81 rpm	75 rpm	69 rpm	57 rpm	36 rpm	24 rpm			
	3.96	345	682	938	1151	1416	1593	1841		
		152 rpm	149 rpm	145 rpm	140 rpm	122 rpm	103 rpm	81 rpm		
	5.28	319	655	920	1133	1425	1584	1814	2009	
		204 rpm	200 rpm	195 rpm	190 rpm	177 rpm	166 rpm	148 rpm	133 rpm	
	7.93	292	637	912	1106	1416	1567	1797	1991	
		308 rpm	304 rpm	298 rpm	290 rpm	280 rpm	268 rpm	255 rpm	231 rpm	
	9.25	266	620	867	1080	1407	1558	1788	1983	
		360 rpm	352 rpm	343 rpm	331 rpm	320 rpm	306 rpm	294 rpm	275 rpm	
	11.89	257	593	841	1044	1372	1540	1770	1947	
		462 rpm	458 rpm	451 rpm	443 rpm	433 rpm	419 rpm	402 rpm	383 rpm	
	14.53	221	566	823	1027	1345	1505	1752	1921	
566 rpm		558 rpm	549 rpm	540 rpm	529 rpm	515 rpm	498 rpm	478 rpm		
15.85 <i>Max Cont.</i>	195	531	805	1009	1319	1478	1717	1885		
	618 rpm	611 rpm	601 rpm	589 rpm	580 rpm	570 rpm	558 rpm	540 rpm		
19.82 <i>Max Int.</i>	133	478	735	938	1248	1416	1646	1814		
	771 rpm	763 rpm	755 rpm	744 rpm	735 rpm	724 rpm	708 rpm	693 rpm		

BMPH 125		7.34 in ³ /rev (120.2 cm ³ /rev)							
								<i>Max Cont.</i>	<i>Max Int.</i>
Pressure (psi →)		435	870	1160	1450	1813	2031	2321	2538
FLOW	(gpm ↓)	Torque (in·lbf) Speed Specification							
	2.11	451	867	1213	1487	1841	2089		
		63 rpm	60 rpm	55 rpm	47 rpm	28 rpm	15 rpm		
	3.96	451	894	1221	1487	1850	2089	2363	
		121 rpm	116 rpm	110 rpm	102 rpm	89 rpm	73 rpm	48 rpm	
	5.28	425	867	1195	1478	1867	2098	2381	2567
		162 rpm	158 rpm	153 rpm	148 rpm	137 rpm	128 rpm	109 rpm	94 rpm
	7.93	407	850	1168	1452	1850	2053	2337	2540
		243 rpm	239 rpm	234 rpm	227 rpm	216 rpm	202 rpm	189 rpm	176 rpm
	9.25	372	814	1151	1416	1823	2027	2301	2514
		284 rpm	279 rpm	274 rpm	269 rpm	259 rpm	247 rpm	231 rpm	222 rpm
	11.89	327	788	1106	1390	1779	1983	2310	2487
		370 rpm	362 rpm	355 rpm	348 rpm	340 rpm	327 rpm	310 rpm	296 rpm
	14.53	292	743	1080	1345	1735	1929	2230	2434
452 rpm		446 rpm	438 rpm	431 rpm	420 rpm	412 rpm	402 rpm	384 rpm	
15.85 <i>Max Cont.</i>	257	690	1036	1292	1690	1903	2195	2407	
	490 rpm	482 rpm	475 rpm	468 rpm	459 rpm	448 rpm	439 rpm	427 rpm	
19.82 <i>Max Int.</i>	159	584	947	1177	1584	1788	2089	2301	
	615 rpm	606 rpm	598 rpm	586 rpm	575 rpm	563 rpm	549 rpm	528 rpm	

BMPH 160		9.59 in ³ /rev (157.2 cm ³ /rev)							
								<i>Max Cont.</i>	<i>Max Int.</i>
Pressure (psi →)		435	870	1160	1450	1813	2031	2321	2538
FLOW	(gpm ↓)	Torque (in·lbf) Speed Specification							
	2.11	549	1062	1505	1876	2328	2567		
		49 rpm	48 rpm	46 rpm	42 rpm	26 rpm	14 rpm		
	3.96	531	1080	1522	1903	2337	2602	3009	
		93 rpm	91 rpm	88 rpm	85 rpm	76 rpm	68 rpm	48 rpm	
	5.28	504	1062	1505	1894	2319	2567	3009	3284
		125 rpm	123 rpm	120 rpm	117 rpm	110 rpm	106 rpm	92 rpm	81 rpm
	7.93	469	1018	1452	1823	2292	2549	2965	3257
		187 rpm	184 rpm	181 rpm	178 rpm	175 rpm	168 rpm	155 rpm	139 rpm
	9.25	434	974	1416	1788	2257	2514	2903	3204
		220 rpm	216 rpm	213 rpm	209 rpm	205 rpm	202 rpm	192 rpm	176 rpm
	11.89	389	903	1363	1735	2195	2460	2841	3169
		283 rpm	280 rpm	276 rpm	272 rpm	267 rpm	260 rpm	250 rpm	238 rpm
	14.53	354	876	1310	1690	2151	2407	2797	3107
345 rpm		342 rpm	340 rpm	336 rpm	331 rpm	328 rpm	320 rpm	303 rpm	
15.85 <i>Max Cont.</i>	292	832	1275	1664	2089	2363	2726	3053	
	377 rpm	374 rpm	371 rpm	367 rpm	363 rpm	359 rpm	353 rpm	342 rpm	
19.82 <i>Max Int.</i>	168	708	1097	1505	1912	2230	2620	2876	
	473 rpm	469 rpm	465 rpm	459 rpm	453 rpm	447 rpm	440 rpm	424 rpm	

BMPH 200		11.87 in ³ /rev (194.5 cm ³ /rev)					<i>Max Cont.</i>		<i>Max Int.</i>	
Pressure (psi →)		435	870	1160	1450	1813	2031	2321	2538	
FLOW	(gpm ↓)	Torque (in-lbf) Speed Specification								
	2.11	699	1452	1832	2213	2832	3186			
		40 rpm	39 rpm	38 rpm	35 rpm	28 rpm	22 rpm			
	3.96	690	1434	1814	2213	2850	3195	3629		
		76 rpm	75 rpm	74 rpm	71 rpm	66 rpm	61 rpm	51 rpm		
	5.28	673	1398	1797	2186	2832	3169	3567	3735	
		100 rpm	98 rpm	97 rpm	95 rpm	92 rpm	89 rpm	73 rpm	57 rpm	
	7.93	620	1354	1770	2168	2788	3098	3523	3691	
		151 rpm	149 rpm	147 rpm	145 rpm	142 rpm	139 rpm	131 rpm	120 rpm	
	9.25	584	1319	1717	2053	2629	3036	3416	3673	
		177 rpm	175 rpm	173 rpm	171 rpm	168 rpm	166 rpm	160 rpm	149 rpm	
	11.89	558	1292	1682	2036	2602	3009	3390	3629	
		228 rpm	226 rpm	224 rpm	221 rpm	218 rpm	215 rpm	210 rpm	198 rpm	
	14.53	478	1239	1602	1983	2531	2956	3284	3540	
280 rpm		278 rpm	276 rpm	274 rpm	271 rpm	269 rpm	263 rpm	250 rpm		
15.85 <i>Max Cont.</i>	336	1124	1452	1876	2390	2876	3151	3496		
	304 rpm	302 rpm	300 rpm	297 rpm	294 rpm	291 rpm	286 rpm	272 rpm		
19.82 <i>Max Int.</i>	195	850	1283	1699	2080	2593	2841	3248		
	382 rpm	378 rpm	374 rpm	371 rpm	368 rpm	364 rpm	360 rpm	350 rpm		

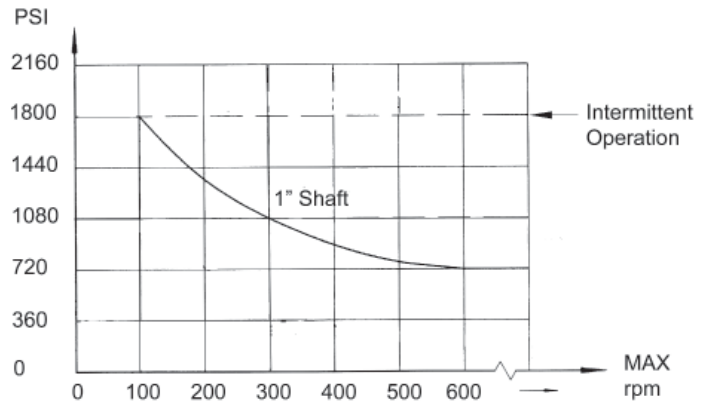
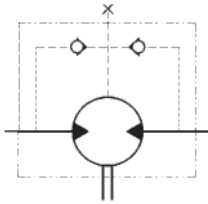
BMPH 250		14.66 in ³ /rev (240.3 cm ³ /rev)					<i>Max Cont.</i>		<i>Max Int.</i>	
Pressure (psi →)		435	870	1160	1450	1813	2031	2321	2538	
FLOW	(gpm ↓)	Torque (in-lbf) Speed Specification								
	2.11	850	1682	2372	2885	3567				
		30 rpm	28 rpm	24 rpm	21 rpm	11 rpm				
	3.96	867	1717	2390	2894	3585	3983	4514		
		60 rpm	58 rpm	54 rpm	50 rpm	40 rpm	30 rpm	12 rpm		
	5.28	814	1664	2363	2876	3585	4036	4549	5001	
		82 rpm	80 rpm	77 rpm	76 rpm	69 rpm	64 rpm	52 rpm	38 rpm	
	7.93	752	1593	2292	2832	3540	3965	4540	4965	
		123 rpm	120 rpm	118 rpm	114 rpm	106 rpm	98 rpm	87 rpm	76 rpm	
	9.25	682	1558	2230	2753	3443	3859	4461	4930	
		143 rpm	141 rpm	139 rpm	135 rpm	128 rpm	122 rpm	112 rpm	101 rpm	
	11.89	620	1487	2151	2655	3337	3788	4381	4806	
		185 rpm	182 rpm	178 rpm	174 rpm	168 rpm	161 rpm	152 rpm	139 rpm	
	14.53	558	1407	2098	2567	3266	3691	4275	4700	
226 rpm		223 rpm	218 rpm	213 rpm	209 rpm	202 rpm	193 rpm	185 rpm		
15.85 <i>Max Cont.</i>	531	1328	2018	2478	3169	3602	4186	4602		
	248 rpm	246 rpm	243 rpm	239 rpm	233 rpm	226 rpm	215 rpm	207 rpm		
19.82 <i>Max Int.</i>	301	1133	1788	2337	3027	3425	3965	4319		
	309 rpm	306 rpm	302 rpm	297 rpm	292 rpm	286 rpm	278 rpm	264 rpm		

BMPH 315		19.19 in ³ /rev (314.5 cm ³ /rev)					Max Cont.	Max Int.
Pressure (psi →)		435	725	1015	1305	1450	1813	2031
F L O W	(gpm ↓)	Torque (in·lbf) Speed Specification						
	2.11	1089	1903	2584	3257	3585		
		25 rpm	23 rpm	21 rpm	17 rpm	11 rpm		
	3.96	1044	1867	2540	3248	3576	4381	5027
		47 rpm	46 rpm	44 rpm	40 rpm	28 rpm	21 rpm	10 rpm
	5.28	974	1814	2460	3186	3496	4372	5009
		62 rpm	61 rpm	60 rpm	57 rpm	46 rpm	40 rpm	36 rpm
	7.93	894	1735	2399	3089	3434	4337	5001
		94 rpm	93 rpm	91 rpm	88 rpm	76 rpm	68 rpm	65 rpm
	9.25	850	1664	2337	3018	3381	4231	4930
		109 rpm	107 rpm	106 rpm	104 rpm	96 rpm	89 rpm	84 rpm
	11.89	788	1593	2248	2983	3292	4142	4894
		141 rpm	140 rpm	138 rpm	135 rpm	127 rpm	120 rpm	115 rpm
	14.53	673	1469	2115	2876	3204	4045	4850
173 rpm		172 rpm	170 rpm	167 rpm	160 rpm	152 rpm	143 rpm	
15.85 Max Cont.	575	1363	2009	2726	3080	3921	4682	
	188 rpm	186 rpm	184 rpm	182 rpm	178 rpm	172 rpm	163 rpm	
19.82 Max Int.	354	1062	1779	2469	2859	3700	4399	
	236 rpm	234 rpm	232 rpm	228 rpm	226 rpm	223 rpm	214 rpm	

BMPH 400		23.77 in ³ /rev (389.5 cm ³ /rev)					Max Cont.	Max Int.
Pressure (psi →)		435	653	798	943	1160	1450	1813
F L O W	(gpm ↓)	Torque (in·lbf) Speed Specification						
	2.11	1469	2053	2540	3009	3700		
		20 rpm	19 rpm	18 rpm	16 rpm	12 rpm		
	3.96	1460	2018	2452	2983	3691	4390	5417
		38 rpm	36 rpm	35 rpm	33 rpm	31 rpm	27 rpm	21 rpm
	5.28	1434	1974	2416	2930	3655	4381	5381
		50 rpm	49 rpm	49 rpm	48 rpm	45 rpm	41 rpm	35 rpm
	7.93	1363	1912	2354	2815	3585	4301	5310
		76 rpm	75 rpm	74 rpm	73 rpm	71 rpm	67 rpm	60 rpm
	9.25	1292	1859	2266	2761	3496	4248	5204
		88 rpm	87 rpm	87 rpm	86 rpm	83 rpm	80 rpm	75 rpm
	11.89	1168	1744	2151	2655	3390	4107	5098
		114 rpm	113 rpm	112 rpm	110 rpm	108 rpm	106 rpm	99 rpm
	14.53	1036	1629	2009	2505	3213	3983	4886
139 rpm		137 rpm	136 rpm	135 rpm	135 rpm	132 rpm	123 rpm	
15.85 Max Cont.	903	1443	1903	2407	3071	3859	4709	
	153 rpm	152 rpm	150 rpm	148 rpm	146 rpm	143 rpm	138 rpm	
19.82 Max Int.	469	1133	1611	2071	2815	3461	4284	
	191 rpm	189 rpm	187 rpm	185 rpm	183 rpm	180 rpm	176 rpm	

BMPH Technical Data

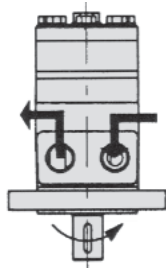
Shaft Seal Rated Pressure



Case Drain

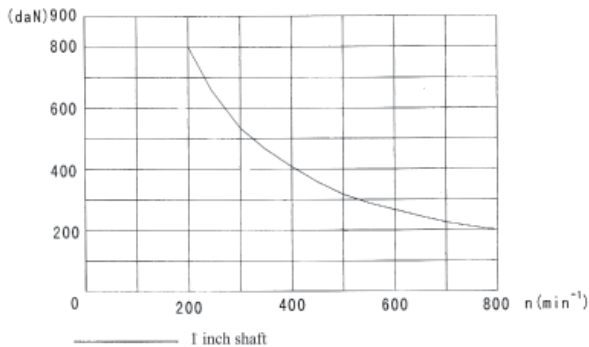
In applications without a motor drain line, the pressure exerted on the shaft seal is marginally in excess of the return line pressure. When the drain line is used, the pressure exerted on the shaft seal is equal to the return line pressure.

Shaft Rotation Direction

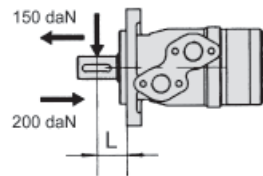


Radial Forces

Status of the shaft's radial force



$$Fr = \frac{800}{n} * \frac{2500}{95 + L}$$



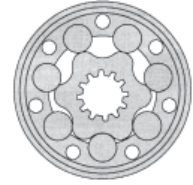
Fr = Radial Force (daN)
 L = Distance (mm)
 n = Speed (rpm)

Rhomb Flange L=30mm
 Square Flange L=24mm



FLUID COMPONENTS, INC.

Hydraulic Motor Model BMRS



The BMRS series advanced **ROLORTORC™** gear set, shaft distribution flow, hydraulic motor is a compact, low noise, high efficient high torque low speed design. The **ROLORTORC™** gear set also affords a reliable smooth start up at low pressure. BMRS motors are available with optional radial needle bearings (by special order) for side load applications.

The low weight advanced construction design is manufactured in accordance with the requirements of ISO 9000-2000 quality system.

Technical Specifications

MODEL		BMRS 50	BMRS 80	BMRS 100	BMRS 125	BMRS 160	BMRS 200	BMRS 250	BMRS 315	BMRS 375
Displacement	in^3/rev	3.15	4.97	6.22	7.76	9.59	11.87	15.46	19.36	23.27
	cm^3/rev	(51.7)	(81.5)	(102)	(127.2)	(157.2)	(194.5)	(253.3)	(317.5)	(381.4)
Max Speed	Cont	960	750	600	475	378	310	240	190	155
	Int.	1150	940	750	600	475	385	300	240	190
Max Torque	Cont	885	1726	2124	2655	3186	3186	3451	3451	3230
	Int.	1115	1947	2478	3009	3805	3894	4336	4735	4381
Max Differential	Cont	2031	2321	2321	2321	2321	2321	2321	2031	1450
	Int.	2538	2900	2900	2900	2900	2900	2900	2538	2031
Max Flow	Cont	13.21	15.85	15.85	15.85	15.85	15.85	15.85	15.85	15.85
	Int.	15.85	19.81	19.81	19.81	19.81	19.81	19.81	19.81	19.81
Weight		16.20 lbs	16.80 lbs	17.35 lbs	17.95 lbs	18.65 lbs	19.35 lbs	20.65 lbs	22.10 lbs	23.30 lbs

Continuous = maximum of continuous operation. Intermittent = maximum operating range for 6 seconds per minute

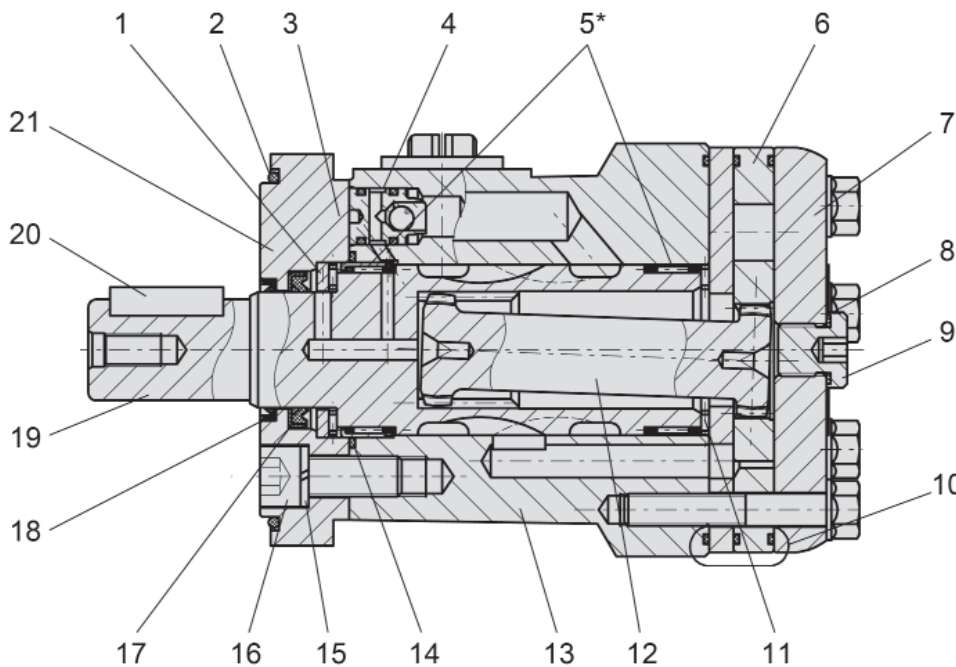
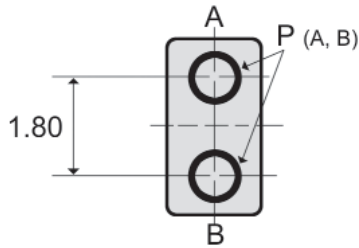
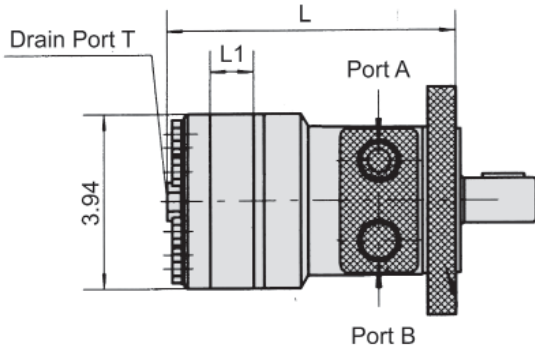


Diagram Key

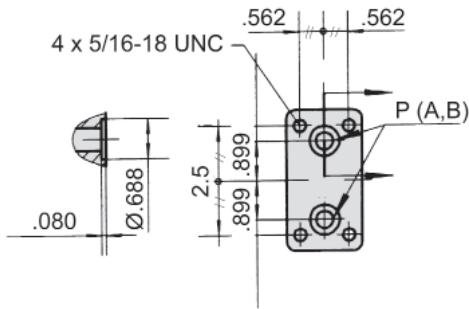
- 1 Thrust Washer
- 2 "O" Ring
- 3 Pin
- 4 Check Valve
- 5 Radial Needle Bearings
- 6 Rolortorc™ Gear Set
- 7 End Cover
- 8 Seal
- 9 Case Drain Plug
- 10 "O" Ring
- 11 Thrust Needle Bearing (2)
- 12 Drive Shaft
- 13 Housing
- 14 "O" Ring
- 15 Lock Washer
- 16 Bolt
- 17 Shaft Seal
- 18 Dust Seal
- 19 Output Shaft
- 20 Key
- 21 Front Cover

*Shown with optional radial needle bearings for side load applications.

BMRS Installation Data

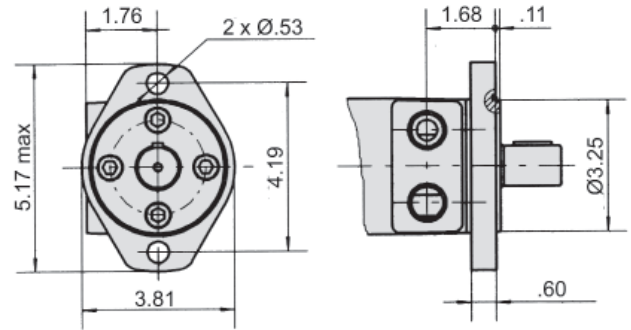


Manifold Port

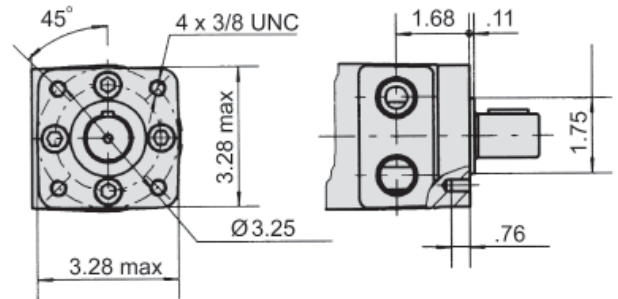


MODEL	L	L1
BMRS 50	5.67"	.39"
BMRS 80	5.90"	.63"
BMRS 100	6.06"	.79"
BMRS 125	6.26"	.98"
BMRS 160	6.51"	1.24"
BMRS 200	6.85"	1.57"
BMRS 250	7.24"	1.97"
BMRS 315	7.72"	2.44"
BMRS 375	8.19"	2.91"

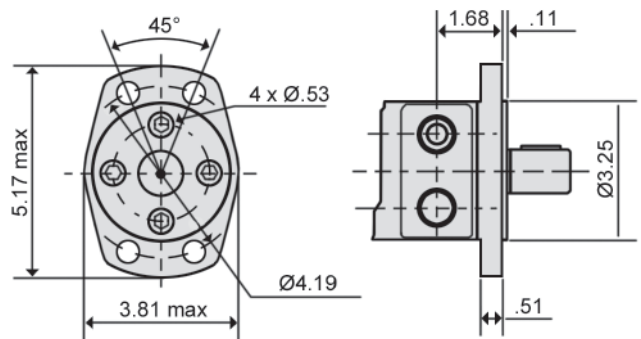
H2 - SAE "A" 2-Bolt



H4 - 4-Bolt



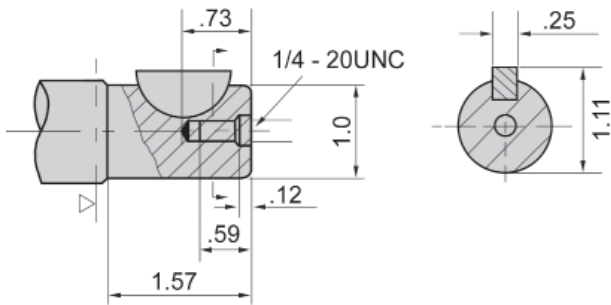
H6 - Magneto



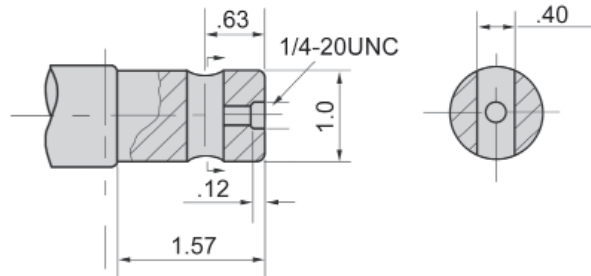
Ports	SAE Sizes	NPT Sizes
P (A, B)	7/8 - 14 SAE	1/2 - 14 NPTF
T	7/16 - 20 SAE	7/16 - 20 SAE

BMRS Drive Shaft Data

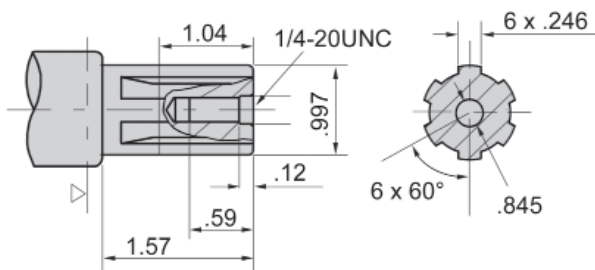
K - 1" Woodruff Key



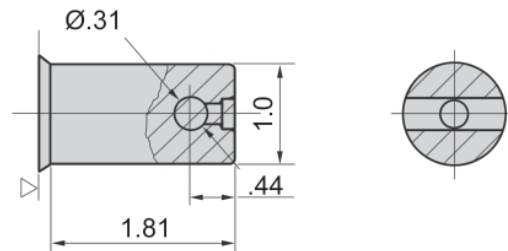
H - 1" Parallel .40 Dia. Cross Hole



S - SAE 6B Spline



H1 - 1" Parallel .31 Dia. Cross Hole



Ordering Example:

Model	Frame Size	Flange	Drive Shaft	Ports	Options
BMRS	250	H4	K	S	

Model	Frame Size	Mounting Flange**	Drive Shaft**	Port Size	Options
BMRS	50 (3.15) 80 (4.97) 100 (6.22) 125 (7.76) 160 (9.59) 200 (11.87) 250 (15.46) 315 (19.38) 375 (23.27)	H2 = SAE "A" 2-Bolt H4 = SAE "A" 4-Bolt H6 = Magneto	K = 1" Woodruff Key S = SAE 6B Spline H = 1" Parallel .40 dia. Cross Hole H1 = 1" Parallel .31 dia. Cross Hole	P = 1/2 NPTF S = 7/8 -14 SAE F = Manifold	F* = Free Running N* = 1800 lb. Radial Load Bearings

*Special Order

**Additional flange and drive shaft options available please consult factory.

Seal kits for BMRS Motors are available for purchase. Order seal kit using item description: "BMRS Seal Kit".

BMRS 50		3.15 in ³ /rev (51.7 cm ³ /rev)							Max Cont.	Max Int.
Pressure (psi →)	725	1015	1305	1450	1740	2031	2321	2538		
FLOW	(gpm ↓)	Torque (in·lbf) Speed Specification								
	1.32	310	398	540	593	682	779			
		93 rpm	84 rpm	76 rpm	73 rpm	69 rpm	46 rpm			
	2.64	319	407	549	611	708	841	956	1062	
		186 rpm	178 rpm	166 rpm	162 rpm	153 rpm	136 rpm	118 rpm	97 rpm	
	3.96	310	434	558	646	779	885	965	1089	
		283 rpm	277 rpm	269 rpm	261 rpm	250 rpm	230 rpm	211 rpm	185 rpm	
	5.28	305	416	540	611	735	850	965	1115	
		377 rpm	375 rpm	365 rpm	361 rpm	346 rpm	330 rpm	302 rpm	270 rpm	
	7.93	292	389	531	593	708	841	956	1115	
		576 rpm	569 rpm	561 rpm	554 rpm	542 rpm	531 rpm	500 rpm	465 rpm	
	10.57	266	363	513	584	699	814	938	1080	
		760 rpm	758 rpm	753 rpm	750 rpm	738 rpm	724 rpm	700 rpm	670 rpm	
11.89	261	354	504	575	690	797	929	1071		
	856 rpm	853 rpm	849 rpm	845 rpm	835 rpm	815 rpm	796 rpm	770 rpm		
13.21 Max Cont.	230	327	469	531	646	752	876	1009		
	950 rpm	940 rpm	925 rpm	906 rpm	880 rpm	852 rpm	832 rpm	801 rpm		
15.85 Max Int.	177	292	425	496	611	717	841	965		
	1138 rpm	1124 rpm	1100 rpm	1075 rpm	1056 rpm	1028 rpm	1006 rpm	970 rpm		

BMRS 80		4.97 in ³ /rev (81.5 cm ³ /rev)							Max Cont.	Max Int.
Pressure (psi →)	725	1015	1305	1450	1740	2031	2321	2538	2901	
FLOW	(gpm ↓)	Torque (in·lbf) Speed Specification								
	1.32	443	566	779	956	1177				
		59 rpm	56 rpm	50 rpm	44 rpm	38 rpm				
	2.64	478	682	876	956	1142	1328	1531		
		118 rpm	113 rpm	106 rpm	97 rpm	86 rpm	79 rpm	56 rpm		
	5.28	504	690	903	982	1186	1372	1567	1735	1991
		238 rpm	234 rpm	227 rpm	216 rpm	203 rpm	190 rpm	178 rpm	154 rpm	135 rpm
	7.93	478	664	885	956	1159	1345	1558	1726	1974
		360 rpm	352 rpm	340 rpm	332 rpm	316 rpm	302 rpm	290 rpm	274 rpm	250 rpm
	10.57	425	646	850	929	1124	1310	1522	1682	1947
		480 rpm	470 rpm	458 rpm	445 rpm	430 rpm	418 rpm	403 rpm	388 rpm	359 rpm
	13.21	372	620	823	903	1097	1301	1505	1664	1929
		604 rpm	595 rpm	582 rpm	570 rpm	556 rpm	540 rpm	521 rpm	504 rpm	487 rpm
15.85 Max Cont.	327	584	788	867	1071	1275	1469	1629	1885	
	726 rpm	715 rpm	704 rpm	692 rpm	678 rpm	663 rpm	647 rpm	622 rpm	594 rpm	
18.49	283	531	735	841	1027	1239	1416	1567	1841	
	845 rpm	834 rpm	820 rpm	802 rpm	789 rpm	767 rpm	754 rpm	730 rpm	705 rpm	
19.82 Max Int.	186	443	690	797	982	1195	1363	1513	1770	
	910 rpm	895 rpm	881 rpm	867 rpm	852 rpm	830 rpm	806 rpm	787 rpm	756 rpm	

BMRS 100		6.22 in ³ /rev (102 cm ³ /rev)							Max Cont.	Max Int.
Pressure (psi →)	725 psi	1015	1305	1450	1740	2031	2321	2538	2901	
FLOW	(gpm ↓)	Torque (in·lbf) Speed Specification								
	1.32	584	814	1062	1195	1381				
		45 rpm	42 rpm	38 rpm	34 rpm	27 rpm				
	2.64	602	850	1106	1221	1407	1664	1876		
		93 rpm	90 rpm	86 rpm	81 rpm	74 rpm	57 rpm	42 rpm		
	5.28	575	832	1089	1213	1372	1646	1859	2106	2425
		189 rpm	185 rpm	180 rpm	173 rpm	165 rpm	158 rpm	150 rpm	139 rpm	118 rpm
	7.93	558	814	1062	1177	1354	1637	1850	2080	2390
		286 rpm	281 rpm	275 rpm	266 rpm	257 rpm	246 rpm	237 rpm	225 rpm	207 rpm
	10.57	504	779	1036	1151	1345	1637	1841	2062	2363
		385 rpm	378 rpm	365 rpm	355 rpm	345 rpm	332 rpm	320 rpm	314 rpm	297 rpm
	13.21	425	699	974	1089	1328	1620	1806	2018	2301
		482 rpm	477 rpm	470 rpm	460 rpm	448 rpm	435 rpm	420 rpm	405 rpm	389 rpm
15.85 Max Cont.	336	620	929	1062	1275	1575	1770	1947	2230	
	580 rpm	572 rpm	560 rpm	548 rpm	535 rpm	523 rpm	510 rpm	500 rpm	478 rpm	
18.49	283	575	885	1044	1248	1558	1744	1903	2177	
	678 rpm	670 rpm	660 rpm	648 rpm	638 rpm	626 rpm	615 rpm	606 rpm	580 rpm	
19.82 Max Int.	204	522	823	982	1204	1505	1699	1859	2124	
	728 rpm	720 rpm	710 rpm	695 rpm	681 rpm	667 rpm	650 rpm	634 rpm	618 rpm	

BMRS 125		7.76 in ³ /rev (127.2 cm ³ /rev)						Max Cont.	Max Int.		
Pressure (psi →)		725	1015	1305	1450	1740	2031	2321	2538	2901	
FLOW	(gpm ↓)	Torque (in·lbf) Speed Specification									
	1.32	673	974	1283	1478	1673					
		36 rpm	31 rpm	25 rpm	19 rpm	13 rpm					
	2.64	743	1044	1372	1558	1788	2018	2239			
		73 rpm	70 rpm	60 rpm	48 rpm	36 rpm	25 rpm	19 rpm			
	5.28	726	1036	1354	1540	1770	2036	2292	2602	2938	
		153 rpm	151 rpm	148 rpm	144 rpm	138 rpm	128 rpm	117 rpm	104 rpm	73 rpm	
	7.93	699	1027	1336	1513	1752	2018	2275	2584	2912	
		231 rpm	228 rpm	224 rpm	218 rpm	210 rpm	201 rpm	183 rpm	168 rpm	137 rpm	
	10.57	637	1009	1310	1487	1735	2000	2266	2567	2894	
		309 rpm	307 rpm	303 rpm	298 rpm	292 rpm	280 rpm	270 rpm	252 rpm	218 rpm	
	13.21	549	929	1266	1460	1726	1974	2248	2540	2859	
		389 rpm	386 rpm	382 rpm	378 rpm	370 rpm	360 rpm	344 rpm	328 rpm	292 rpm	
	15.85 Max Cont.	460	867	1204	1416	1690	1947	2213	2496	2823	
467 rpm		463 rpm	459 rpm	456 rpm	448 rpm	427 rpm	410 rpm	399 rpm	352 rpm		
18.49	363	797	1151	1381	1655	1903	2142	2460	2770		
	545 rpm	542 rpm	538 rpm	534 rpm	529 rpm	520 rpm	508 rpm	486 rpm	430 rpm		
19.82 Max Int.	283	699	1115	1310	1593	1841	2071	2319	2655		
	586 rpm	583 rpm	578 rpm	570 rpm	560 rpm	546 rpm	532 rpm	520 rpm	480 rpm		

BMRS 160		9.59 in ³ /rev (157.2 cm ³ /rev)						Max Cont.	Max Int.		
Pressure (psi →)		725	1015	1305	1450	1740	2031	2321	2538	2901	
FLOW	(gpm ↓)	Torque (in·lbf) Speed Specification									
	1.32	920	1292	1682	1859	2168					
		26 rpm	23 rpm	20 rpm	16 rpm	10 rpm					
	2.64	947	1328	1726	1912	2213	2567	2965			
		59 rpm	56 rpm	50 rpm	45 rpm	37 rpm	30 rpm	22 rpm			
	5.28	903	1336	1752	1947	2275	2638	3027	3275	3717	
		121 rpm	118 rpm	115 rpm	113 rpm	108 rpm	102 rpm	97 rpm	90 rpm	78 rpm	
	7.93	859	1292	1682	1921	2266	2611	3009	3257	3682	
		184 rpm	178 rpm	173 rpm	170 rpm	164 rpm	155 rpm	143 rpm	128 rpm	103 rpm	
	10.57	788	1239	1637	1859	2230	2567	2965	3213	3646	
		246 rpm	241 rpm	235 rpm	228 rpm	220 rpm	210 rpm	194 rpm	177 rpm	150 rpm	
	13.21	637	1133	1584	1788	2160	2514	2894	3169	3620	
		310 rpm	307 rpm	300 rpm	295 rpm	287 rpm	278 rpm	262 rpm	247 rpm	210 rpm	
	15.85 Max Cont.	531	1027	1505	1752	2124	2469	2841	3115	3540	
374 rpm		367 rpm	359 rpm	354 rpm	346 rpm	338 rpm	323 rpm	306 rpm	265 rpm		
18.49	434	947	1452	1708	2062	2399	2735	3045	3452		
	437 rpm	430 rpm	421 rpm	415 rpm	403 rpm	393 rpm	381 rpm	365 rpm	318 rpm		
19.82 Max Int.	319	867	1345	1637	2000	2345	2655	2956	3354		
	472 rpm	463 rpm	450 rpm	441 rpm	431 rpm	420 rpm	405 rpm	389 rpm	365 rpm		

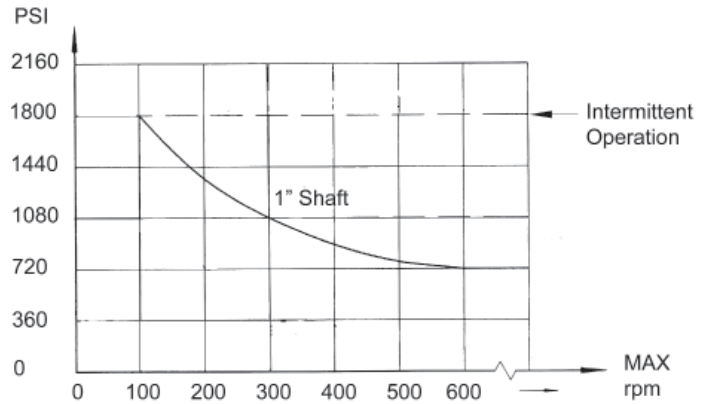
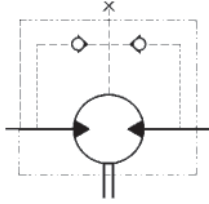
BMRS 200		11.87 in ³ /rev (194.5 cm ³ /rev)						Max Cont.	Max Int.		
Pressure (psi →)		725	1015	1305	1450	1740	2031	2321	2538	2901	
FLOW	(gpm ↓)	Torque (in·lbf) Speed Specification									
	1.32	1168	1602	2106	2319	2744					
		24 rpm	22 rpm	18 rpm	13 rpm	10 rpm					
	2.64	1195	1646	2124	2337	2788	3151	3567			
		49 rpm	47 rpm	45 rpm	43 rpm	38 rpm	33 rpm	24 rpm			
	5.28	1159	1620	2106	2301	2779	3169	3576	3877	4408	
		99 rpm	97 rpm	94 rpm	92 rpm	88 rpm	83 rpm	74 rpm	64 rpm	56 rpm	
	7.93	1115	1575	2062	2248	2753	3142	3558	3815	4301	
		149 rpm	147 rpm	144 rpm	141 rpm	135 rpm	126 rpm	113 rpm	105 rpm	91 rpm	
	10.57	991	1496	2018	2213	2717	3115	3540	3770	4222	
		200 rpm	197 rpm	194 rpm	191 rpm	185 rpm	174 rpm	160 rpm	151 rpm	127 rpm	
	13.21	841	1381	1956	2177	2655	3098	3523	3726	4160	
		252 rpm	249 rpm	246 rpm	243 rpm	238 rpm	228 rpm	212 rpm	194 rpm	161 rpm	
	15.85 Max Cont.	690	1283	1885	2106	2558	3027	3416	3646	4062	
304 rpm		301 rpm	298 rpm	294 rpm	286 rpm	276 rpm	262 rpm	243 rpm	218 rpm		
18.49	593	1195	1823	2018	2452	2974	3319	3611	4009		
	355 rpm	353 rpm	349 rpm	340 rpm	329 rpm	316 rpm	300 rpm	288 rpm	257 rpm		
19.82 Max Int.	513	1106	1744	1947	2390	2841	3186	3523	3912		
	382 rpm	379 rpm	373 rpm	362 rpm	350 rpm	337 rpm	322 rpm	312 rpm	278 rpm		

BMRS 250		15.46 in ³ /rev (253.3 cm ³ /rev)					Max Cont.		Max Int.		
Pressure (psi →)		725	1015	1305	1450	1740	2031	2321	2538	2901	
FLOW	(gpm ↓)	Torque (in•lbf) Speed Specification									
	1.32	1549	2151	2691	3027	3602					
		17 rpm	16 rpm	14 rpm	12 rpm	10 rpm					
	2.64	1575	2177	2744	3045	3620	4116	4647			
		37 rpm	35 rpm	31 rpm	28 rpm	23 rpm	18 rpm	11 rpm			
	5.28	1549	2160	2726	3009	3611	4098	4602	4939	5629	
		75 rpm	73 rpm	72 rpm	70 rpm	66 rpm	58 rpm	53 rpm	50 rpm	42 rpm	
	7.93	1434	2080	2691	2938	3540	4027	4567	4868	5496	
		114 rpm	111 rpm	108 rpm	106 rpm	100 rpm	92 rpm	83 rpm	77 rpm	65 rpm	
	10.57	1266	1974	2655	2912	3505	3956	4532	4832	5461	
		154 rpm	152 rpm	150 rpm	147 rpm	143 rpm	132 rpm	120 rpm	110 rpm	90 rpm	
	13.21	1097	1841	2558	2859	3399	3894	4452	4735	5310	
		193 rpm	190 rpm	187 rpm	174 rpm	168 rpm	160 rpm	149 rpm	140 rpm	116 rpm	
15.85 Max Cont.	912	1699	2478	2779	3284	3770	4328	4549	5116		
	233 rpm	230 rpm	227 rpm	224 rpm	218 rpm	205 rpm	190 rpm	181 rpm	155 rpm		
18.49	779	1575	2337	2664	3151	3700	4239	4408	4956		
	273 rpm	270 rpm	267 rpm	263 rpm	252 rpm	242 rpm	226 rpm	209 rpm	173 rpm		
19.82 Max Int.	549	1460	2266	2549	3071	3646	4195	4301	4797		
	294 rpm	291 rpm	287 rpm	283 rpm	274 rpm	263 rpm	249 rpm	236 rpm	211 rpm		

BMRS 315		19.38 in ³ /rev (317.5 cm ³ /rev)					Max Cont.		Max Int.		
Pressure (psi →)		725	1015	1305	1450	1740	2031	2321	2538		
FLOW	(gpm ↓)	Torque (in•lbf) Speed Specification									
	1.32	1903	2673								
		13 rpm	11 rpm								
	2.64	1929	2699	3390	3735	4319	4877	5505			
		28 rpm	27 rpm	25 rpm	24 rpm	21 rpm	18 rpm	13 rpm			
	5.28	1903	2682	3363	3700	4293	4859	5487	5841		
		60 rpm	59 rpm	57 rpm	55 rpm	52 rpm	49 rpm	45 rpm	42 rpm		
	7.93	1806	2620	3319	3655	4248	4797	5425	5788		
		91 rpm	89 rpm	86 rpm	84 rpm	81 rpm	78 rpm	72 rpm	67 rpm		
	10.57	1735	2540	3257	3629	4222	4771	5390	5753		
		122 rpm	120 rpm	117 rpm	112 rpm	106 rpm	100 rpm	94 rpm	85 rpm		
	13.21	1558	2390	3151	3478	4080	4655	5284	5709		
		154 rpm	151 rpm	147 rpm	140 rpm	131 rpm	120 rpm	109 rpm	100 rpm		
15.85 Max Cont.	1434	2177	3000	3310	3947	4523	5187	5558			
	185 rpm	182 rpm	177 rpm	172 rpm	163 rpm	152 rpm	140 rpm	134 rpm			
18.49	1266	2080	2868	3169	3806	4363	4974	5434			
	217 rpm	213 rpm	208 rpm	201 rpm	190 rpm	178 rpm	166 rpm	158 rpm			
19.82 Max Int.	1106	1876	2682	3000	3691	4257	4806	5151			
	232 rpm	228 rpm	222 rpm	216 rpm	208 rpm	200 rpm	183 rpm	171 rpm			

BMRS 375		23.27 in ³ /rev (381.4 cm ³ /rev)					Max Cont.		Max Int.		
Pressure (psi →)		725	1015	1305	1450	1740	2031	2321	2538		
FLOW	(gpm ↓)	Torque (in•lbf) Speed Specification									
	1.32	1354	2053								
		12 rpm	10 rpm								
	2.64	1390	2089	2514	2983	3593	4399	5417	5912		
		24 rpm	23 rpm	22 rpm	21 rpm	19 rpm	17 rpm	15 rpm	12 rpm		
	5.28	1328	2053	2478	2938	3549	4337	5364	5841		
		49 rpm	48 rpm	47 rpm	46 rpm	44 rpm	41 rpm	38 rpm	32 rpm		
	7.93	1257	1903	2425	2894	3523	4275	5337	5771		
		76 rpm	75 rpm	74 rpm	73 rpm	71 rpm	67 rpm	63 rpm	50 rpm		
	10.57	1115	1876	2372	2832	3478	4222	5248	5620		
		103 rpm	101 rpm	99 rpm	97 rpm	95 rpm	92 rpm	88 rpm	70 rpm		
	13.21	929	1655	2142	2673	3328	4027	5160	5381		
		128 rpm	126 rpm	124 rpm	121 rpm	118 rpm	115 rpm	111 rpm	96 rpm		
15.85 Max Cont.	797	1478	2027	2487	3204	3930	5009	5310			
	154 rpm	152 rpm	150 rpm	148 rpm	145 rpm	138 rpm	130 rpm	121 rpm			
18.49	797	1319	1770	2283	3018	3762	4832	5133			
	180 rpm	179 rpm	178 rpm	176 rpm	173 rpm	168 rpm	160 rpm	148 rpm			
19.82 Max Int.	496	1106	1611	2133	2832	3611	4638	5001			
	195 rpm	194 rpm	193 rpm	191 rpm	189 rpm	185 rpm	178 rpm	170 rpm			

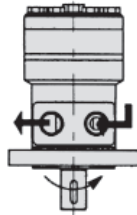
Shaft Seal Rated Pressure



Case Drain

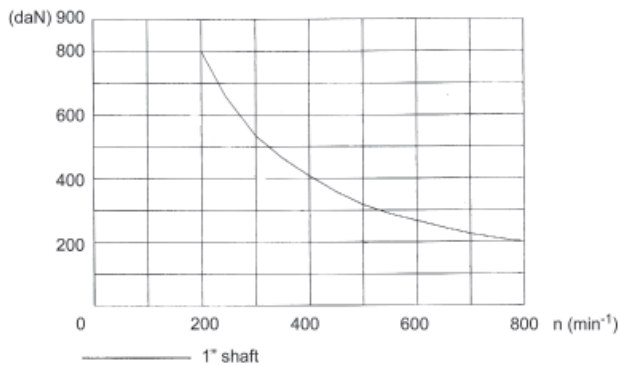
In applications without a motor drain line, the pressure exerted on the shaft seal is marginally in excess of the return line pressure. When the drain line is used, the pressure exerted on the shaft seal is equal to the return line pressure.

Shaft Rotation Direction

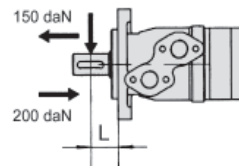


Radial Forces

Status of the Shaft's Radial Force



$$F_r = \frac{800}{n} \cdot \frac{25000}{95 + L}$$



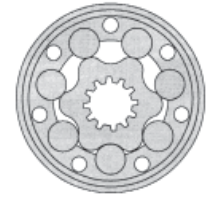
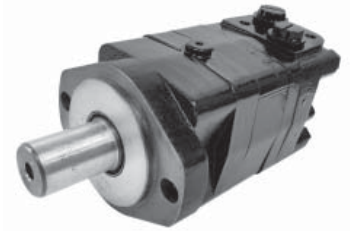
F_r = Radial Force (daN)
 L = Distance (mm)
 n = Speed (rpm)

Rhomb Flange $L=30\text{mm}$
 Square Flange $L=24\text{mm}$



FLUID COMPONENTS, INC.

Hydraulic Motor Model BMSY



The BMSY series motor adapts the advanced **ROLORTORC™** gear set design with **DISC** distribution flow and high pressure. These motors can be supplied with various options for multifunctional operations in accordance with the application requirements. The output shaft tapered roller bearings permit high axial and radial forces offering a smooth operation during low pressure start up and high pressure operation.

These low weight advanced construction design motors are manufactured in accordance with the requirements of the ISO 9000-2000 quality system.

**** Check out our new higher pressure BMSY shaft seals - see page 78. ****

Technical Specifications

MODEL		BMSY 80	BMSY 100	BMSY 125	BMSY 160	BMSY 200	BMSY 250	BMSY 315	BMSY 400	BMSY 475
Displacement <i>in³/rev (cm³/rev)</i>		4.92 (81)	6.15 (101)	7.63 (125)	9.39 (154)	11.83 (194)	14.83 (243)	18.97 (311)	24.04 (394)	28.98 (475)
Max Speed <i>rpm</i>	Cont	800	748	600	470	375	300	240	185	155
	Int.	988	900	720	560	450	360	280	225	185
Max Torque <i>in•lbf</i>	Cont	1991	2566	3230	4292	5185	6265	7787	7786	8053
	Int.	2212	2832	3540	4778	5707	7142	8495	8495	8495
Max Differential <i>psi</i>	Cont	2973	2973	2973	3045	3045	2900	2900	2320	2030
	Int.	3265	3265	3265	3265	3265	3265	3265	2563	2175
Max Flow <i>gpm</i>	Cont	17.1	19.81	19.81	19.81	19.81	19.81	19.81	19.81	19.81
	Int.	21.13	23.77	23.77	23.77	23.77	23.77	23.77	23.77	23.77
Weight		23.70 lbs	24.05 lbs	24.75 lbs	25.00 lbs	26.15 lbs	27.35 lbs	28.95 lbs	30.95 lbs	32.80 lbs

Continuous = maximum of continuous operation. Intermittent = maximum operating range for 6 seconds per minute

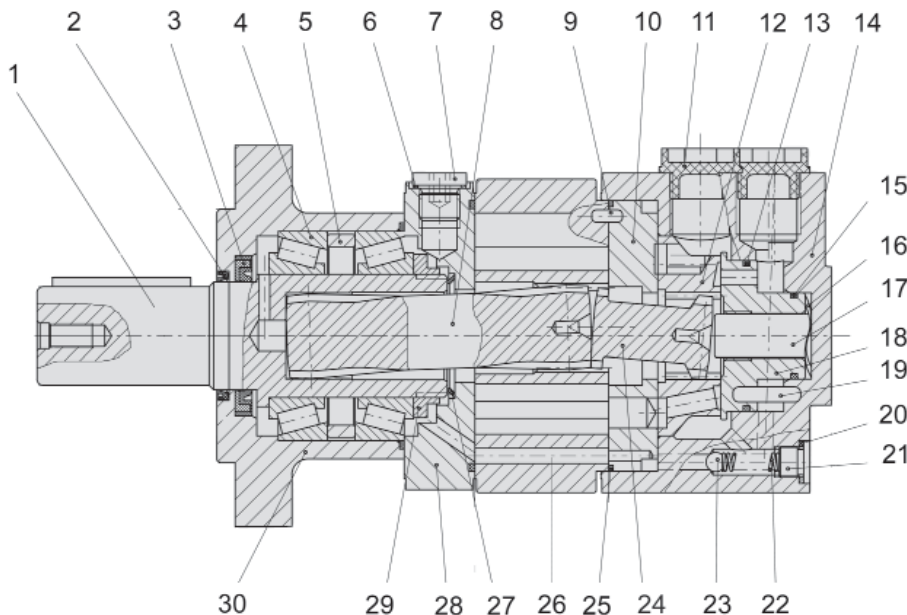
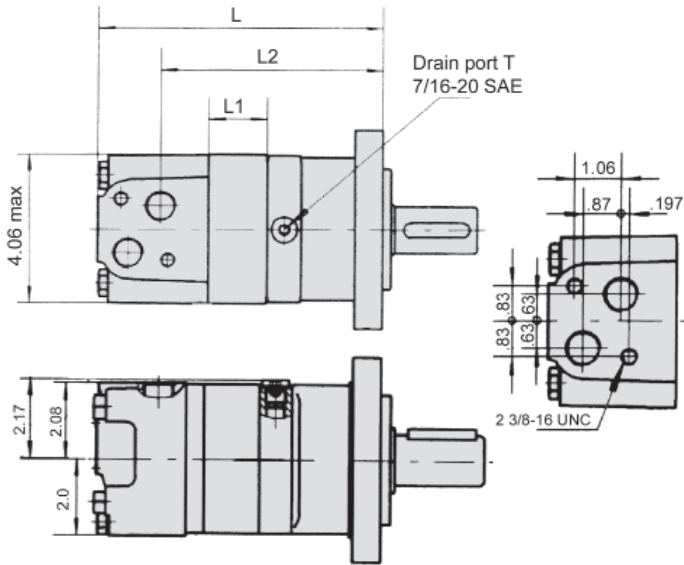


Diagram Key

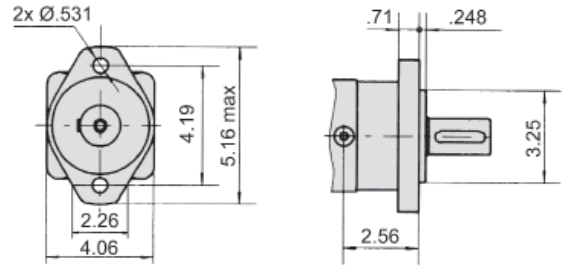
- | | |
|----------------------|---------------------------|
| 1 Output Shaft | 16 Balancer Spring |
| 2 Dust Seal | 17 Spacer |
| 3 Shaft Seal | 18 Balance Plate |
| 4 Roller Bearing | 19 Pin |
| 5 Bearing Spacer | 20 Seal Washer |
| 6 Seal Washer | 21 Check Valve Plug |
| 7 Case Drain Plug | 22 Check Valve Spring |
| 8 Drive Link | 23 Ball Check (steel) |
| 9 Pin | 24 Distributor Drive Link |
| 10 Timing Plate | 25 Body "O" Ring |
| 11 Shipping Plug | 26 Rolortorc™ Set |
| 12 Distributor Plate | 27 Oil Control Ring |
| 13 "O" Ring | 28 Drain Manifold |
| 14 Rear Housing | 29 Bearing Nut |
| 15 "O" Ring | 30 Shaft Housing |

BMSY Installation Data

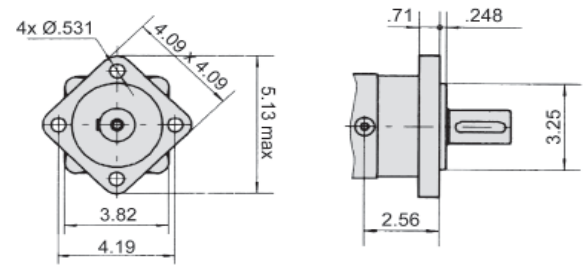
S Ports - 7/8"-14 SAE



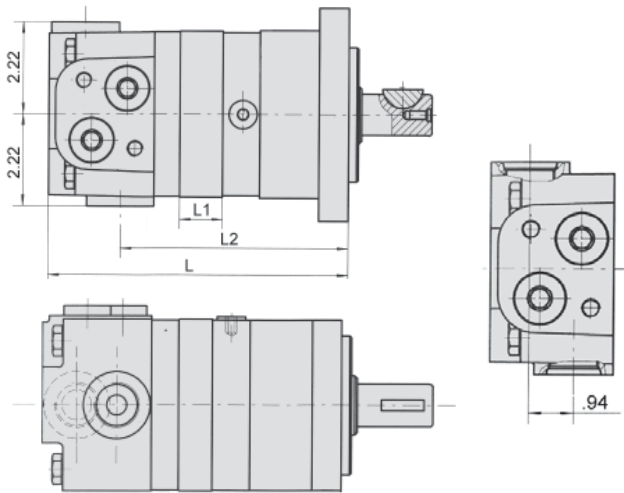
E2 - SAE "A" 2-Bolt



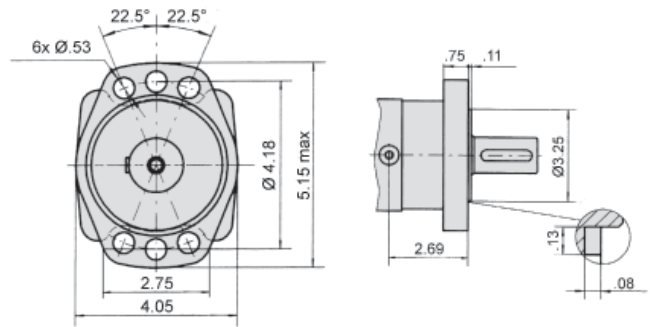
E4 - SAE "A" 4-Bolt



ED Ports (180° Apart) - 1 1/16"-12 SAE



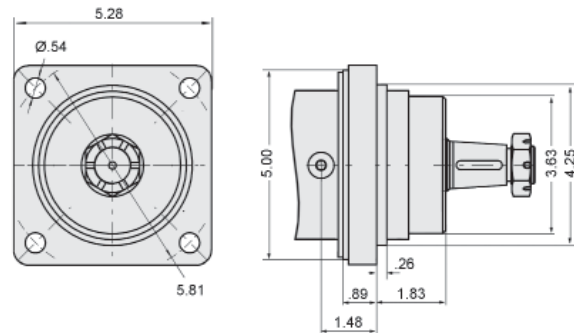
F6 - 6-Bolt Magneto



NEW!

WE - Wheel Mount (4-bolt)

Drop-in replacement for Char-Lynn 105-XXXX series.

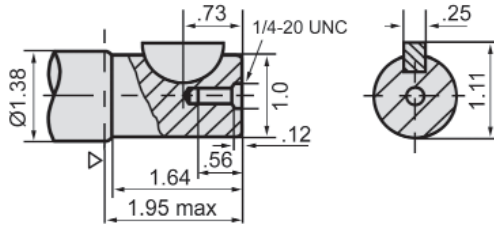


MODEL	L	L1	L2
BMSY 80	6.70"	0.63"	4.98"
BMSY 100	6.85"	0.79"	5.14"
BMSY 125	7.04"	0.98"	5.33"
BMSY 160	7.22"	1.24"	5.49"
BMSY 200	7.57"	1.57"	5.83"
BMSY 250	7.95"	1.97"	6.22"
BMSY 315	8.43"	2.44"	6.69"
BMSY 400	8.82"	2.71"	7.08"
BMSY 475	9.37"	3.26"	7.63"

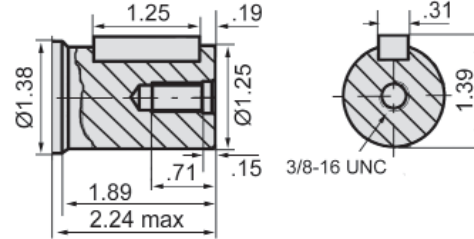
Port	SAE Sizes	NPT Sizes
P (A, B)	7/8 - 14 SAE	1/2 - 14 NPTF
T	7/16 - 20 SAE	7/16 - 20 SAE

BMSY Drive Shaft Data

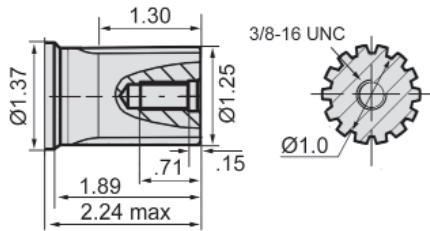
K - 1" Woodruff Key



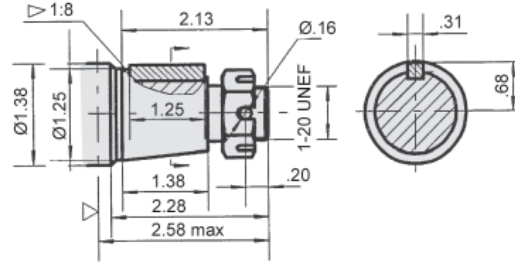
G - 1 1/4" Parallel Key



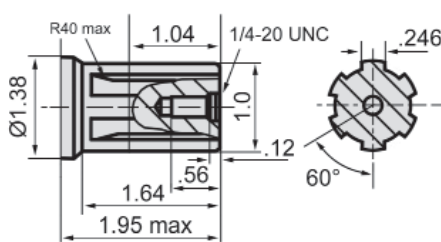
F - 1 1/4" - 14 DP Spline



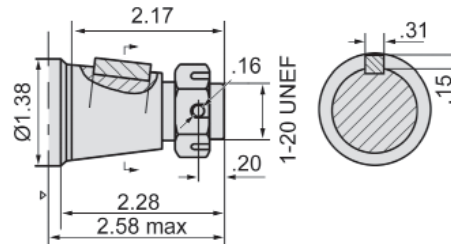
T3 - 1 1/4" Tapered



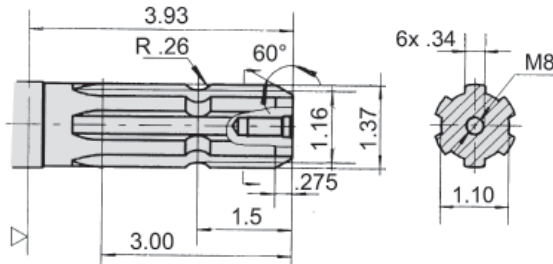
S1 - SAE 6B Spline



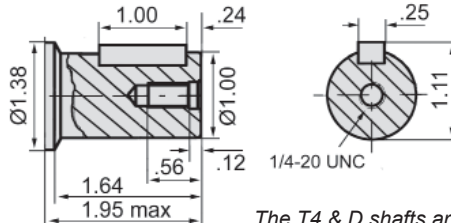
T4 - 1 1/4" Tapered



SL - 6 Spline PTO



D - 1" Parallel Key



The T4 & D shafts are only available with the Wheel Mount (WE).

Ordering Example: **Model** **BMSY** - **Frame Size** **200** **Flange** **E2** - **Drive Shaft** **K** - **Ports** **S** - **Options**

Model	Frame Size	Mounting Flange**	Drive Shaft**	Port Size	Options
BMSY	80 (4.92) 100 (6.15) 125 (7.63) 160 (9.59) 200 (11.84) 250 (15.40) 315 (19.20) 400 (24.04) 475 (28.98)	E2 = SAE "A" 2 Bolt E4 = SAE "A" 4-Bolt F6 = Magneto WE = Wheel Mount	K = 1" Woodruff Key G = 1 1/4" Parallel Key S1 = SAE 6B Spline T3 = 1 1/4" Tapered F = 1 1/4" - 14 DP Spline SL* = 6 Spline PTO D*** = 1" Parallel Key T4*** = 1 1/4" Tapered	S = 7/8" - 14 SAE ED = Side Ports 1 1/16-12 SAE	F* = Free Running * Special order ** Additional flange and drive shaft options available please consult factory. *** The T4 & D shafts are only available with the Wheel Mount (WE).

Seal kits for BMSY Motors are available for purchase. Order seal kit using item description: "BMSY Seal Kit".

BMSY Flow Data

BMSY 80		4.92 in ³ /rev (80.6 cm ³ /rev)					Max Cont.	Max Int.
Pressure (psi →)		515	1030	1546	2060	2576	2973	3308
F L O W	(gpm ↓)	Torque (in·lbf) Speed Specification						
	3.96	310	708	1062	1398	1726	2017	2204
		180 rpm	174 rpm	168 rpm	164 rpm	158 rpm	151 rpm	143 rpm
	7.93	310	708	1062	1398	1726	2053	2301
		362 rpm	352 rpm	346 rpm	338 rpm	330 rpm	322 rpm	310 rpm
	10.57	310	699	1053	1372	1708	2009	2213
		487 rpm	480 rpm	468 rpm	457 rpm	446 rpm	438 rpm	425 rpm
	13.21	266	681	1035	1354	1699	1982	2195
		612 rpm	603 rpm	592 rpm	581 rpm	572 rpm	558 rpm	542 rpm
	15.85	248	681	1035	1354	1699	1982	2150
735 rpm		726 rpm	718 rpm	703 rpm	687 rpm	673 rpm	646 rpm	
17.17 Max Cont.	230	664	1026	1336	1663	1920	2088	
	794 rpm	786 rpm	773 rpm	760 rpm	744 rpm	722 rpm	706 rpm	
21.13 Max Int.	217	637	964	1256	1557	1823	2009	
	981 rpm	968 rpm	955 rpm	925 rpm	893 rpm	870 rpm	832 rpm	

BMSY 100		6.15 in ³ /rev (100.8 cm ³ /rev)					Max Cont.	Max Int.
Pressure (psi →)		515	1030	1546	2060	2576	2973	3308
F L O W	(gpm ↓)	Torque (in·lbf) Speed Specification						
	3.96	425	841	1328	1770	2213	2495	2744
		146 rpm	144 rpm	139 rpm	135 rpm	130 rpm	120 rpm	105 rpm
	7.93	398	832	1292	1752	2213	2566	2805
		291 rpm	289 rpm	278 rpm	274 rpm	269 rpm	258 rpm	242 rpm
	10.57	381	788	1492	1735	2195	2549	2797
		387 rpm	384 rpm	374 rpm	359 rpm	350 rpm	335 rpm	320 rpm
	13.21	354	779	1195	1717	2186	2531	2788
		486 rpm	483 rpm	473 rpm	462 rpm	450 rpm	430 rpm	420 rpm
	15.85	327	779	1168	1657	2159	2504	2761
588 rpm		584 rpm	574 rpm	562 rpm	550 rpm	538 rpm	520 rpm	
19.81 Max Cont.	310	708	1151	1593	2124	2469	2744	
	740 rpm	735 rpm	720 rpm	705 rpm	696 rpm	676 rpm	653 rpm	
23.77 Max Int.	266	664	1097	1505	2089	2398	2682	
	850 rpm	840 rpm	810 rpm	787 rpm	770 rpm	750 rpm	747 rpm	

BMSY 125		7.63 in ³ /rev (125 cm ³ /rev)					Max Cont.	Max Int.
Pressure (psi →)		515	1030	1546	2060	2576	2973	3308
F L O W	(gpm ↓)	Torque (in·lbf) Speed Specification						
	3.96	487	1062	1558	2168	2735	3053	3319
		115 rpm	113 rpm	110 rpm	104 rpm	98 rpm	90 rpm	84 rpm
	7.93	487	1062	1549	2213	2787	3221	3575
		231 rpm	228 rpm	223 rpm	214 rpm	202 rpm	188 rpm	172 rpm
	10.57	469	1044	1575	2213	2787	3221	3566
		312 rpm	209 rpm	290 rpm	289 rpm	278 rpm	262 rpm	235 rpm
	13.21	443	1020	1558	2195	2787	3203	3513
		391 rpm	386 rpm	378 rpm	365 rpm	352 rpm	339 rpm	308 rpm
	15.85	398	1000	1513	2133	2726	3168	3513
469 rpm		461 rpm	450 rpm	437 rpm	425 rpm	400 rpm	372 rpm	
19.81 Max Cont.	398	974	1478	2724	2708	3115	3442	
	588 rpm	574 rpm	560 rpm	544 rpm	526 rpm	505 rpm	481 rpm	
23.77 Max Int.	354	938	1434	2097	2664	6035	3345	
	710 rpm	696 rpm	680 rpm	661 rpm	646 rpm	628 rpm	610 rpm	

BMSY 160		9.39 in³/rev (154 cm³/rev)					<i>Max Cont.</i>	<i>Max Int.</i>	
Pressure (psi →)	515	1030	1546	2060	2576	3045	3308		
FLOW	(gpm ↓)	Torque (in·lbf) Speed Specification							
	3.96	620	1257	1904	2639	3295	3852	4216	
		93 rpm	91 rpm	89 rpm	85 rpm	80 rpm	76 rpm	58 rpm	
	7.93	646	1337	1992	2763	3383	4038	4357	
		189 rpm	187 rpm	181 rpm	176 rpm	170 rpm	162 rpm	153 rpm	
	10.57	664	1346	2019	2781	3392	4021	4322	
		252 rpm	250 rpm	246 rpm	239 rpm	234 rpm	228 rpm	212 rpm	
	13.21	620	1310	1992	2701	3294	3941	4251	
		313 rpm	310 rpm	306 rpm	298 rpm	293 rpm	285 rpm	272 rpm	
	15.85	575	1266	1930	2621	3277	3914	4251	
378 rpm		376 rpm	370 rpm	362 rpm	353 rpm	346 rpm	332 rpm		
19.81 <i>Max Cont.</i>	549	1239	1868	2577	3232	3888	4207		
	475 rpm	469 rpm	461 rpm	450 rpm	441 rpm	432 rpm	414 rpm		
23.77 <i>Max Int.</i>	522	1160	1789	2533	3159	3764	4074		
	567 rpm	561 rpm	554 rpm	543 rpm	532 rpm	520 rpm	509 rpm		

BMSY 200		11.8 in³/rev (194 cm³/rev)					<i>Max Cont.</i>	<i>Max Int.</i>	
Pressure (psi →)	515	1030	1546	2060	2576	3045	3308		
FLOW	(gpm ↓)	Torque (in·lbf) Speed Specification							
	3.96	771	1585	2737	3286	4171	4977	5403	
		74 rpm	73 rpm	71 rpm	68 rpm	64 rpm	60 rpm	48 rpm	
	7.93	806	1682	2550	3418	4331	5066	5473	
		150 rpm	148 rpm	143 rpm	140 rpm	134 rpm	128 rpm	119 rpm	
	10.57	832	1709	2621	3489	4410	5172	5712	
		198 rpm	195 rpm	192 rpm	188 rpm	183 rpm	178 rpm	167 rpm	
	13.21	797	1691	2586	3445	4366	5137	5615	
		248 rpm	246 rpm	241 rpm	236 rpm	230 rpm	223 rpm	212 rpm	
	15.85	752	1638	2471	3383	4277	5092	5509	
300 rpm		295 rpm	288 rpm	281 rpm	273 rpm	263 rpm	251 rpm		
19.81 <i>Max Cont.</i>	690	1558	2400	3277	4180	4968	5402		
	374 rpm	370 rpm	364 rpm	360 rpm	352 rpm	340 rpm	331 rpm		
23.77 <i>Max Int.</i>	602	1443	2347	3197	4038	4827	5305		
	443 rpm	440 rpm	435 rpm	428 rpm	424 rpm	413 rpm	400 rpm		

BMSY 250		14.8 in³/rev (243 cm³/rev)					<i>Max Cont.</i>	<i>Max Int.</i>	
Pressure (psi →)	515	1030	1546	2060	2576	2900	3308		
FLOW	(gpm ↓)	Torque (in·lbf) Speed Specification							
	3.96	974	2045	3108	4091	5181	6031	6890	
		59 rpm	58 rpm	56 rpm	53 rpm	50 rpm	46 rpm	35 rpm	
	7.93	1027	2090	3179	4207	5287	6199	6997	
		119 rpm	117 rpm	114 rpm	108 rpm	102 rpm	92 rpm	80 rpm	
	10.57	1045	2134	3215	4251	5305	6253	7050	
		162 rpm	159 rpm	156 rpm	150 rpm	143 rpm	134 rpm	121 rpm	
	13.21	983	2072	3117	4180	5234	6137	6979	
		203 rpm	201 rpm	197 rpm	191 rpm	182 rpm	173 rpm	158 rpm	
	15.85	929	1947	3055	4091	5154	6067	6837	
244 rpm		242 rpm	237 rpm	230 rpm	220 rpm	208 rpm	194 rpm		
19.81 <i>Max Cont.</i>	841	1895	3011	4021	5048	5934	6731		
	303 rpm	299 rpm	294 rpm	285 rpm	272 rpm	260 rpm	244 rpm		
23.77 <i>Max Int.</i>	797	1851	2967	3959	4951	5819	6633		
	363 rpm	359 rpm	354 rpm	348 rpm	340 rpm	328 rpm	303 rpm		

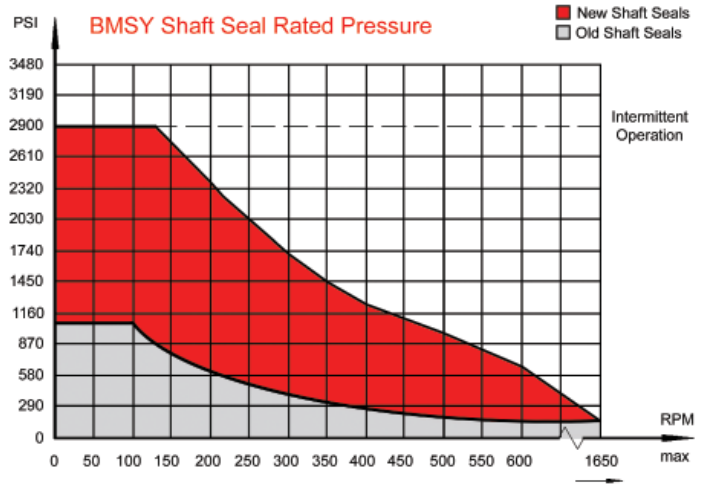
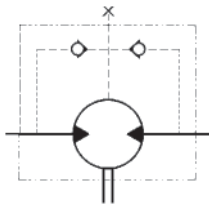
BMSY 315		18.9 in³/rev (311 cm³/rev)					<i>Max Cont.</i>	<i>Max Int.</i>	
Pressure (psi →)	515	1030	1546	2060	2538	2900	3308		
FLOW	(gpm ↓)	Torque (in·lbf) Speed Specification							
	3.96	1310	2692	4038	5429	6749	7785	8662	
		48 rpm	47 rpm	45 rpm	43 rpm	41 rpm	39 rpm	27 rpm	
	7.93	1372	2781	4118	5624	6890	7829	8750	
		95 rpm	93 rpm	91 rpm	89 rpm	86 rpm	82 rpm	67 rpm	
	10.57	1417	2843	4242	5757	7050	8024	8830	
		127 rpm	125 rpm	121 rpm	117 rpm	115 rpm	109 rpm	91 rpm	
	13.21	1372	2781	4118	5650	6908	7847	8750	
		159 rpm	157 rpm	153 rpm	149 rpm	145 rpm	142 rpm	128 rpm	
	15.85	1337	2710	4012	5491	6695	7847	8644	
187 rpm		185 rpm	181 rpm	176 rpm	169 rpm	157 rpm	143 rpm		
19.81 <i>Max Cont.</i>	1293	2657	3941	5429	6681	7743	8549		
	238 rpm	236 rpm	232 rpm	227 rpm	224 rpm	220 rpm	196 rpm		
23.77 <i>Max Int.</i>	1194	2513	3858	5318	6549	7637	8425		
	286 rpm	283 rpm	278 rpm	272 rpm	265 rpm	257 rpm	232 rpm		

BMSY 400		24.04 in³/rev (394 cm³/rev)				<i>Max Cont.</i>	<i>Max Int.</i>
Pressure (psi →)	515	1030	1546	2060	2354	2576	
FLOW	(gpm ↓)	Torque (in·lbf) Speed Specification					
	3.96	1646	3354	5115	6894	7930	8726
		37 rpm	36 rpm	35 rpm	33 rpm	31 rpm	29 rpm
	7.93	1681	3433	5221	7000	8009	8770
		75 rpm	73 rpm	71 rpm	68 rpm	65 rpm	61 rpm
	10.57	1725	3486	5035	7053	8071	8832
		99 rpm	97 rpm	95 rpm	93 rpm	90 rpm	85 rpm
	13.21	1690	3433	5194	6947	8000	8699
		125 rpm	123 rpm	118 rpm	114 rpm	109 rpm	102 rpm
	15.85	1646	3433	5194	6947	8000	8699
149 rpm		146 rpm	142 rpm	137 rpm	131 rpm	122 rpm	
19.81 <i>Max Cont.</i>	1601	3292	5097	6814	7885	8611	
	187 rpm	183 rpm	177 rpm	171 rpm	164 rpm	153 rpm	
23.77 <i>Max Int.</i>	1557	3247	5053	6779	7814	8540	
	226 rpm	221 rpm	214 rpm	208 rpm	199 rpm	183 rpm	

BMSY 475		28.9 in³/rev (475 cm³/rev)				<i>Max Cont.</i>	<i>Max Int.</i>
Pressure (psi →)	515	1030	1546	2060	2207		
FLOW	(gpm ↓)	Torque (in·lbf) Speed Specification					
	3.96	1929	3885	5849	7894	8805	
		30 rpm	29 rpm	28 rpm	27 rpm	25 rpm	
	7.93	1973	3982	5982	8053	8867	
		61 rpm	60 rpm	58 rpm	56 rpm	53 rpm	
	10.57	2017	4079	6097	8203	9000	
		82 rpm	80 rpm	77 rpm	74 rpm	68 rpm	
	13.21	1982	4035	6035	8142	8920	
		103 rpm	101 rpm	97 rpm	92 rpm	86 rpm	
	15.85	1947	3991	5991	8080	8832	
123 rpm		121 rpm	118 rpm	112 rpm	105 rpm		
19.81 <i>Max Cont.</i>	1876	3920	5876	7973	8673		
	155 rpm	153 rpm	147 rpm	140 rpm	132 rpm		
23.77 <i>Max Int.</i>	1734	3725	5690	7761	8487		
	186 rpm	184 rpm	178 rpm	170 rpm	157 rpm		

BMSY Technical Data

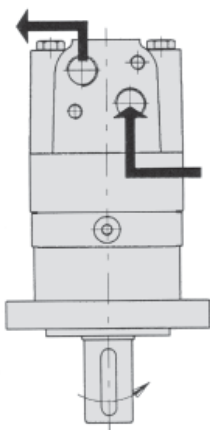
Shaft Seal Rated Pressure



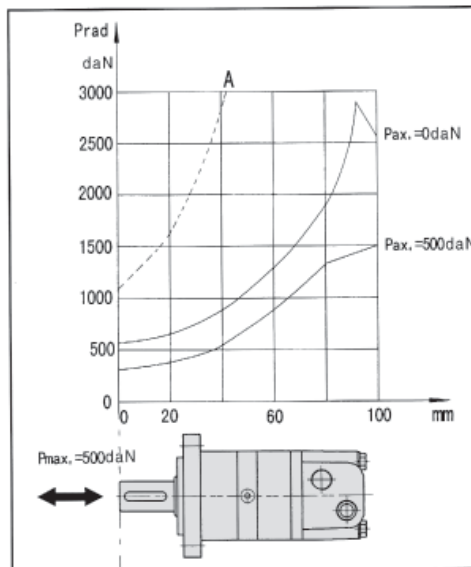
Case Drain

In applications without a motor drain line, the pressure exerted on the shaft seal is marginally in excess of the return line pressure. When the drain line is used, the pressure exerted on the shaft seal is equal to the return line pressure.

Shaft Rotation Direction

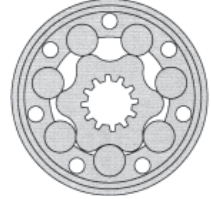


Axial and Radial forces



The output shaft runs tapered bearings that permit high axial and radial forces, Curve "A" shows max radial shaft load, Any shaft loads exceeding the values quoted in the curve will involve risk of breakage. The two other curves apply to a B10 bearing life of 3000 hours at 200 rpm.

Hydraulic Motor Model BMH



The BMH series advanced **ROLORTORC™** gear set, shaft distribution flow, hydraulic motor is a compact, low noise, high efficient high torque low speed design. The **ROLORTORC™** gear set also affords a reliable smooth start up at low pressure. The special design of the valve linkage and high pressure capability of the shaft seal provides a long operating life and these motors can be used in either series or parallel operation.

The low-weight, advanced-construction design is manufactured in accordance with the requirements of ISO 9000-2000 quality system.

Technical Specifications

MODEL		BMH 200	BMH 250	BMH 315	BMH 400	BMH 500
Displacement <i>in³/rev (cm³/rev)</i>		12.40 (203.20)	15.62 (255.90)	19.30 (316.10)	24.80 (406.40)	29.90 (489.20)
Max Speed <i>rpm</i>	Cont	366	290	236	183	155
	Int.	439	348	282	220	166
Max Torque <i>in•lbf</i>	Cont	4513	5496	6549	7646	7071
	Int.	5125	6213	7319	8744	8593
Max Differential <i>psi</i>	Cont	2580	2580	2580	2285	1845
	Int.	2950	2950	2950	2805	2360
Max Flow <i>gpm</i>	Cont	19.75	19.75	19.75	19.75	19.75
	Int.	23.7	23.7	23.7	23.7	23.7
Weight		23.25 lbs	24.20 lbs	25.80 lbs	27.40 lbs	28.50 lbs

Continuous (Cont) = maximum of continuous operation. Intermittent (Int) = maximum operating range for 6 seconds per minute

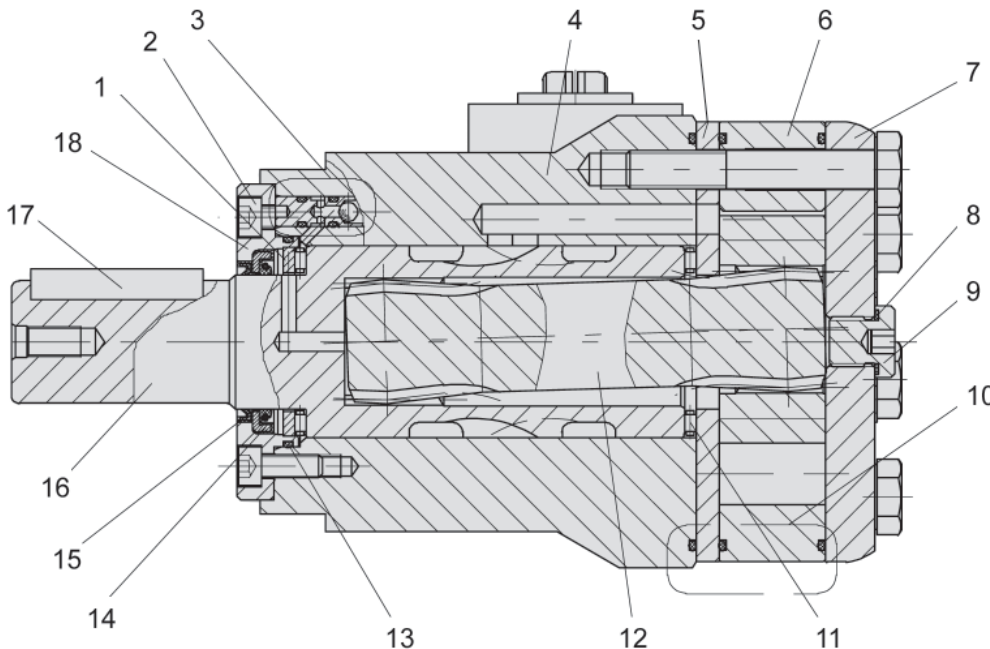
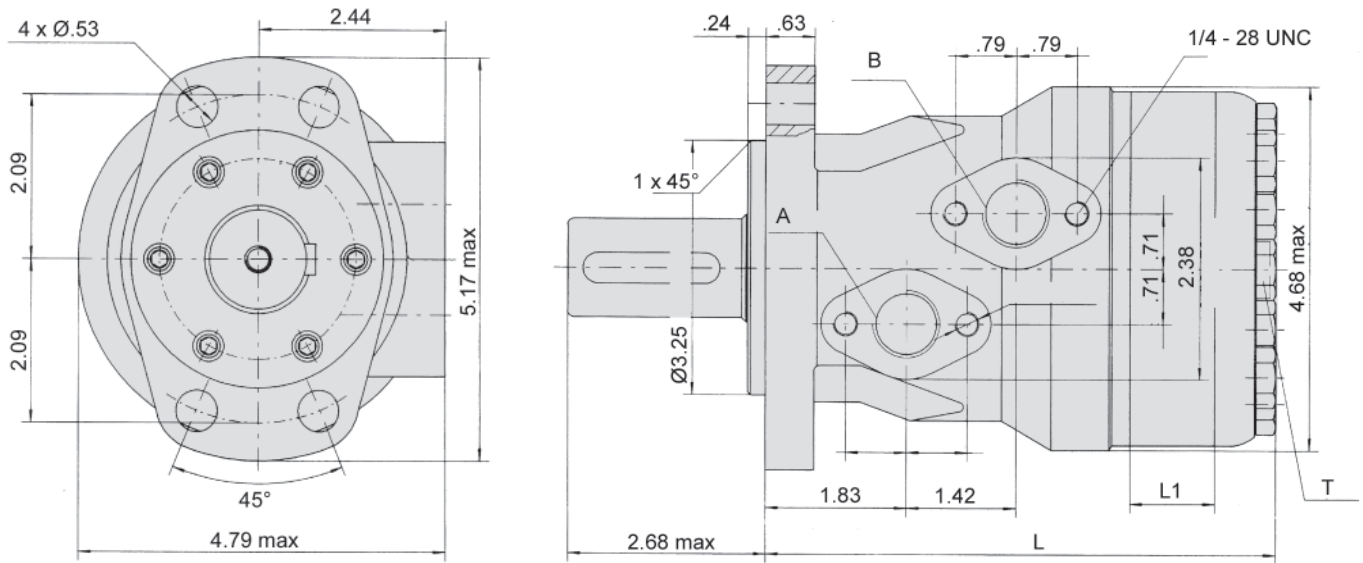


Diagram Key

- 1 Thrust Washer
- 2 Screw
- 3 Check Valve
- 4 Housing
- 5 Wear Plate
- 6 Rolortorc™ Set
- 7 End Cover
- 8 Seal
- 9 Case Drain Plug
- 10 "O" Ring
- 11 Axial Needle Bearing (2)
- 12 Drive Shaft
- 13 "O" Ring
- 14 Shaft Seal
- 15 Dust Seal
- 16 Output Shaft
- 17 Key
- 18 Front Cover

BMH Installation Data

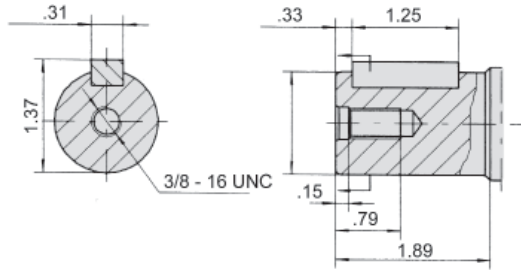


MODEL	L	L1
BMH 200	6.61"	1.06"
BMH 250	6.89"	1.34"
BMH 315	7.24"	1.65"
BMH 400	7.68"	2.12"
BMH 500	8.11"	2.56"

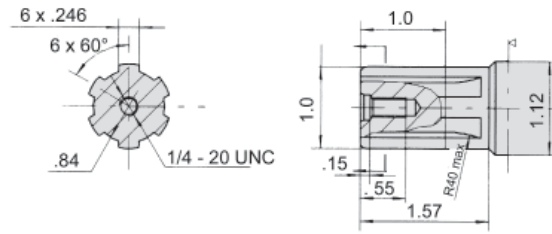
Port	SAE Size	NPT Size
P (A, B)	7/8 - 14 SAE	1/2 - 14 NPTF
T	7/16 - 20 SAE	7/16 - 20 SAE

BMH Drive Shaft Data

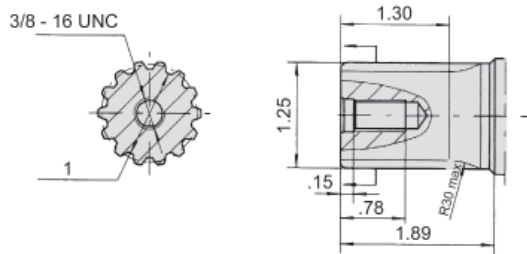
G - 1 1/4" Parallel Key



S - SAE 6B Spline



F - 1 1/4" - 14 DP Spline



Ordering Example: **BMH** - **315** - **2** - **G** - **P** - **□**

Model	Frame Size	Mounting Flange**	Drive Shaft**	Port Size	Options
BMH	200 (12.40)	4 = Magneto	G = 1 1/4" Parallel Key	P = 1/2" NPTF	F* = Free Running
	250 (15.62)	2* = SAE "A" 2-Bolt	S = SAE 6B Spline	S = 7/8-14 SAE	
	315 (19.29)		F = 1 1/4"-14 DP Spline		
	400 (24.80)				
	500 (30.51)				

*Special Order

**Additional flange and drive shaft options available please consult factory.

Seal kits for BMH Motors are available for purchase. Order seal kit using item description: "BMH Seal Kit".

BMH Flow Data

BMH 200		12.40 in ³ /rev (203.2 cm ³ /rev)					Max Cont.	Max Int.	
Pressure (psi →)		515	1030	1546	2060	2576	2950		
F L O W	(gpm ↓)	Torque (in•lbf) Speed Specification							
	1.32	867	1717	2513					
		25 rpm	25 rpm	22 rpm					
	2.65	894	1805	2664	3460	4266			
		43 rpm	41 rpm	36 rpm	29 rpm	14 rpm			
	5.26	876	1779	2690	3558	4505	5098		
		100 rpm	97 rpm	93 rpm	85 rpm	69 rpm	56 rpm		
	7.90	858	1743	2655	3558	4513	5124		
		145 rpm	143 rpm	139 rpm	130 rpm	114 rpm	101 rpm		
	10.50	797	1681	2584	3531	4487	5115		
		200 rpm	200 rpm	200 rpm	188 rpm	168 rpm	153 rpm		
	13.15	726	1619	2513	3469	4425	5053		
		248 rpm	246 rpm	244 rpm	235 rpm	213 rpm	199 rpm		
	15.80	646	1540	2425	3398	4363	4982		
292 rpm		290 rpm	287 rpm	279 rpm	260 rpm	244 rpm			
18.40	557	1442	2336	3309	4256	4903			
	352 rpm	350 rpm	349 rpm	338 rpm	318 rpm	301 rpm			
19.75	522	1389	2292	3239	4204	4841			
	366 rpm	365 rpm	363 rpm	355 rpm	335 rpm	319 rpm			
21.05 Max Cont.	469	1328	2239	3168	4124	4761			
	381 rpm	381 rpm	380 rpm	371 rpm	352 rpm	338 rpm			
23.68 Max Int.	345	1239	2133	3080	4036	4655			
	443 rpm	437 rpm	434 rpm	426 rpm	407 rpm	392 rpm			

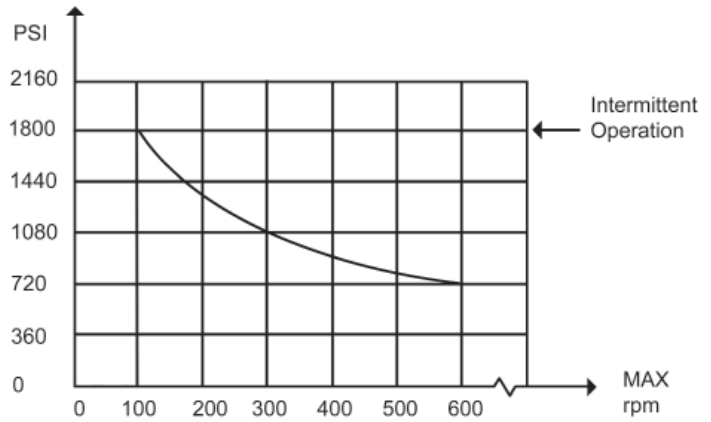
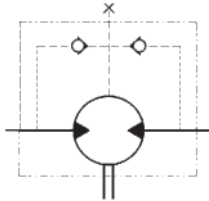
BMH 250		15.62 in ³ /rev (255.9 cm ³ /rev)					Max Cont.	Max Int.	
Pressure (psi →)		515	1030	1328	1766	2139	2576	2950	
F L O W	(gpm ↓)	Torque (in•lbf) Speed Specification							
	1.32	1071	2177	2814	3522				
		19 rpm	19 rpm	18 rpm	14 rpm				
	2.65	1150	2283	2929	3761	4558	5266		
		34 rpm	33 rpm	31 rpm	29 rpm	23 rpm	12 rpm		
	5.26	1150	2283	2938	3823	4602	5496	6213	
		78 rpm	77 rpm	76 rpm	73 rpm	65 rpm	53 rpm	42 rpm	
	7.90	1080	2221	2894	3797	4602	5496	6195	
		115 rpm	113 rpm	111 rpm	105 rpm	96 rpm	84 rpm	75 rpm	
	10.50	1017	2124	2858	3735	4540	5452	6177	
		157 rpm	157 rpm	156 rpm	150 rpm	139 rpm	127 rpm	114 rpm	
	13.15	929	2053	2779	3637	4469	5363	6080	
		196 rpm	195 rpm	192 rpm	185 rpm	173 rpm	159 rpm	147 rpm	
	15.80	831	1947	2673	3549	4390	5275	5983	
232 rpm		230 rpm	226 rpm	218 rpm	206 rpm	192 rpm	180 rpm		
18.40	720	1850	2550	3442	4283	5150	5894		
	274 rpm	274 rpm	274 rpm	266 rpm	252 rpm	238 rpm	222 rpm		
19.75	637	1796	2478	3372	4204	5080	5832		
	290 rpm	289 rpm	287 rpm	279 rpm	266 rpm	251 rpm	236 rpm		
21.05 Max Cont.	584	1717	2416	3283	4133	5009	5761		
	303 rpm	302 rpm	298 rpm	290 rpm	279 rpm	264 rpm	249 rpm		
23.68 Max Int.	433	1575	2266	3142	4009	4885	5611		
	348 rpm	347 rpm	345 rpm	337 rpm	325 rpm	309 rpm	292 rpm		

BMH 315		19.29 in³/rev (316.1 cm³/rev)						<i>Max Cont.</i>	<i>Max Int.</i>
Pressure (psi →)	515	1105	1470	1987	2286	2576	2950		
FLOW	(gpm ↓)	Torque (in·lbf) Speed Specification							
	1.32	1372	2876						
		16 rpm	13 rpm						
	2.65	1442	3026	4018	4921				
		27 rpm	24 rpm	18 rpm	14 rpm				
	5.26	1496	3089	4151	5150	5876	6487	7160	
		63 rpm	61 rpm	55 rpm	48 rpm	40 rpm	32 rpm	19 rpm	
	7.90	1460	3044	4159	5133	5921	6549	7292	
		93 rpm	89 rpm	82 rpm	77 rpm	67 rpm	59 rpm	46 rpm	
	10.50	1363	2982	4115	5106	5867	6522	7319	
		126 rpm	126 rpm	119 rpm	111 rpm	99 rpm	88 rpm	73 rpm	
	13.15	1248	2876	4027	5027	5806	6443	7292	
		159 rpm	155 rpm	148 rpm	139 rpm	126 rpm	115 rpm	98 rpm	
	15.80	1071	2761	3894	4912	5690	6328	7186	
		187 rpm	186 rpm	179 rpm	169 rpm	154 rpm	143 rpm	124 rpm	
	18.40	911	2637	3761	4788	5584	6221	7080	
222 rpm		222 rpm	215 rpm	205 rpm	187 rpm	176 rpm	157 rpm		
19.75	831	2540	3690	4682	5514	6160	7009		
	236 rpm	233 rpm	224 rpm	215 rpm	196 rpm	184 rpm	166 rpm		
21.05 <i>Max Cont.</i>	726	2451	3593	4584	5407	6089	6938		
	246 rpm	244 rpm	236 rpm	228 rpm	210 rpm	197 rpm	174 rpm		
23.68 <i>Max Int.</i>	549	2266	3416	4390	5248	5921	6788		
	282 rpm	280 rpm	275 rpm	266 rpm	248 rpm	234 rpm	209 rpm		

BMH 400		24.80 in³/rev (406.4 cm³/rev)					<i>Max Cont.</i>	
Pressure (psi →)	515	1105	1470	1987	2286	2802		
FLOW	(gpm ↓)	Torque (in·lbf) Speed Specification						
	1.32	1735	3080	4566				
		13 rpm	13 rpm	10 rpm				
	2.65	1814	3212	4832	6213	7602		
		22 rpm	21 rpm	21 rpm	17 rpm	11 rpm		
	5.26	1850	3239	4805	6266	7735	8744	
		50 rpm	49 rpm	46 rpm	41 rpm	36 rpm	31 rpm	
	7.90	1779	3159	4797	6248	7646	8708	
		73 rpm	72 rpm	70 rpm	63 rpm	56 rpm	51 rpm	
	10.50	1726	3062	4708	6204	7593	8611	
		99 rpm	98 rpm	96 rpm	86 rpm	77 rpm	71 rpm	
	13.15	1531	2938	4584	6080	7504	8478	
		123 rpm	122 rpm	118 rpm	107 rpm	97 rpm	90 rpm	
	15.80	1363	2823	4434	5912	7372	8354	
		146 rpm	144 rpm	141 rpm	128 rpm	115 rpm	106 rpm	
	18.40	1221	2699	4248	5744	7204	8186	
174 rpm		173 rpm	169 rpm	156 rpm	141 rpm	130 rpm		
19.75	1133	2602	4124	5637	7098	8062		
	183 rpm	181 rpm	177 rpm	163 rpm	149 rpm	138 rpm		
21.05 <i>Max Cont.</i>	1000	2451	3991	5496	6956	7956		
	192 rpm	191 rpm	188 rpm	174 rpm	158 rpm	144 rpm		
23.68 <i>Max Int.</i>	796	2266	3832	5266	6788	7797		
	220 rpm	220 rpm	215 rpm	202 rpm	183 rpm	165 rpm		

BMH 500		30.51 in ³ /rev (500 cm ³ /rev)					<i>Max Cont.</i>	<i>Max Int.</i>
Pressure (psi →)		368	738	1254	1470	1840	2355	
F L O W	(gpm ↓)	Torque (in•lbf) Speed Specification						
	1.32	1460	2805	4567				
		11 rpm	11 rpm	8 rpm				
	2.65	1575	2965	4912	5921	7000	8576	
		20 rpm	19 rpm	17 rpm	15 rpm	13 rpm	9 rpm	
	5.26	1566	2929	4947	5956	6894	8744	
		42 rpm	42 rpm	41 rpm	38 rpm	36 rpm	29 rpm	
	7.90	1522	2832	4894	5867	7009	8699	
		64 rpm	63 rpm	61 rpm	57 rpm	53 rpm	47 rpm	
	10.50	1443	2735	4788	5788	6930	8593	
		85 rpm	85 rpm	83 rpm	79 rpm	75 rpm	67 rpm	
	13.15	1292	2120	4628	5620	6797	8443	
		103 rpm	103 rpm	103 rpm	97 rpm	93 rpm	85 rpm	
	15.80	1071	2434	4443	5434	6611	8266	
		124 rpm	124 rpm	123 rpm	117 rpm	113 rpm	103 rpm	
	18.40	858	2266	4266	5283	6452	8115	
		148 rpm	148 rpm	148 rpm	140 rpm	134 rpm	122 rpm	
19.75	699	2124	4151	5151	6319	7983		
	155 rpm	155 rpm	155 rpm	152 rpm	144 rpm	130 rpm		
21.05 <i>Max Cont.</i>	531	2000	4009	5044	6204	7823		
	166 rpm	166 rpm	166 rpm	159 rpm	153 rpm	139 rpm		
23.68 <i>Max Int.</i>	301	1779	3726	4868	5956	7691		
	166 rpm	165 rpm	164 rpm	157 rpm	156 rpm	155 rpm		

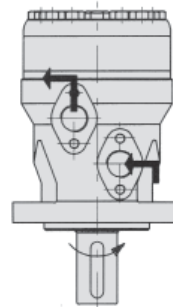
Shaft Seal Rated Pressure



Case Drain

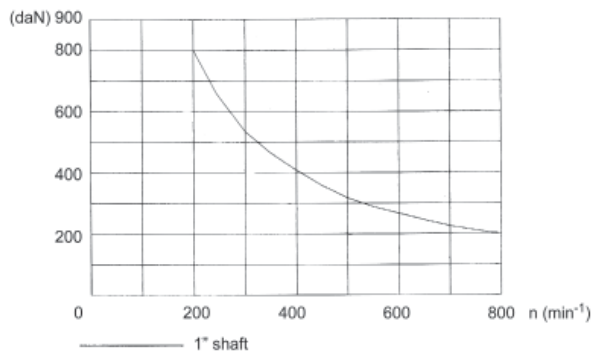
In applications without a motor drain line, the pressure exerted on the shaft seal is marginally in excess of the return line pressure. When the drain line is used, the pressure exerted on the shaft seal is equal to the return line pressure.

Shaft Rotation Direction

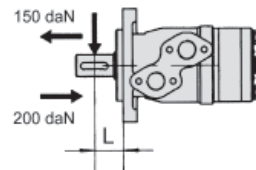


Radial Forces

Status of the Shaft's Radial Force



$$F_r = \frac{800}{n} * \frac{2500}{95 + L}$$



F_r = Radial Force (daN)
 L = Distance (mm)
 n = Speed (rpm)

Rhomb Flange $L=30\text{mm}$
 Square Flange $L=24\text{mm}$

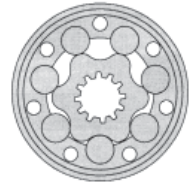
DYNAMIC

FLUID COMPONENTS, INC.

Hydraulic Motor

Model BMER-2

Crossover to White 500/530 Series



The BMER-2 series motors adapt the Geroler gear set design with high speed distribution flow and high pressure. These motors can be supplied with various options for multifunctional operations in accordance with the application requirements. The output shaft tapered roller bearings permit high axial and radial forces offering a smooth operation during low pressure start up and high pressure operation.

These low weight advanced construction design motors are manufactured in accordance with the requirements of the ISO 9000-2000 quality system.



Technical Specifications

MODEL		BMER 125	BMER 160	BMER 200	BMER 230	BMER 250	BMER 300	BMER 350
Displacement <i>in³/rev (cm³/rev)</i>		7.20 (118)	9.52 (156)	11.96 (196)	13.91 (228)	15.68 (257)	18.08 (296)	21.05 (345)
Max Speed <i>rpm</i>	Cont	360	375	330	290	290	250	220
	Int.	490	470	425	365	350	315	270
Max Torque <i>in•lbf</i>	Cont	2876	3983	4691	5531	6195	7169	8009
	Int.	3363	4646	5310	6284	6992	8231	9160
Max Differential <i>psi</i>	Cont	2973	2973	2973	2973	2973	2973	2973
	Int.	3481	3481	3481	3481	3481	3481	3481
Max Flow <i>gpm</i>	Cont	14.00	15.85	17.96	17.96	19.81	19.81	19.81
	Int.	15.85	19.81	22.45	22.45	23.77	25.09	25.09
Weight		27.45 lbs	29.00 lbs	29.20 lbs	29.45 lbs	30.15 lbs	31.00 lbs	32.00 lbs

MODEL		BMER 375	BMER 400	BMER 475	BMER 540	BMER 650	BMER 750
Displacement <i>in³/rev (cm³/rev)</i>		22.63 (371)	24.71 (405)	28.18 (462)	32.94 (540)	39.48 (647)	45.45 (745)
Max Speed <i>rpm</i>	Cont	200	185	160	140	115	100
	Int.	240	220	195	170	138	120
Max Torque <i>in•lbf</i>	Cont	8762	8939	9602	8673	8983	9293
	Int.	10089	10443	10443	10974	11063	10443
Max Differential <i>psi</i>	Cont	2973	2755	2538	2030	1740	1523
	Int.	3481	2973	2973	2538	2248	1740
Max Flow <i>gpm</i>	Cont	19.81	19.81	19.81	19.81	19.81	19.81
	Int.	23.77	23.77	23.77	23.77	23.77	23.77
Weight		32.35 lbs	33.30 lbs	33.35 lbs	35.10 lbs	36.52 lbs	37.75 lbs

Continuous (Cont.) = maximum of continuous operation. Intermittent (Int.) = maximum operating range for 6 seconds per minute

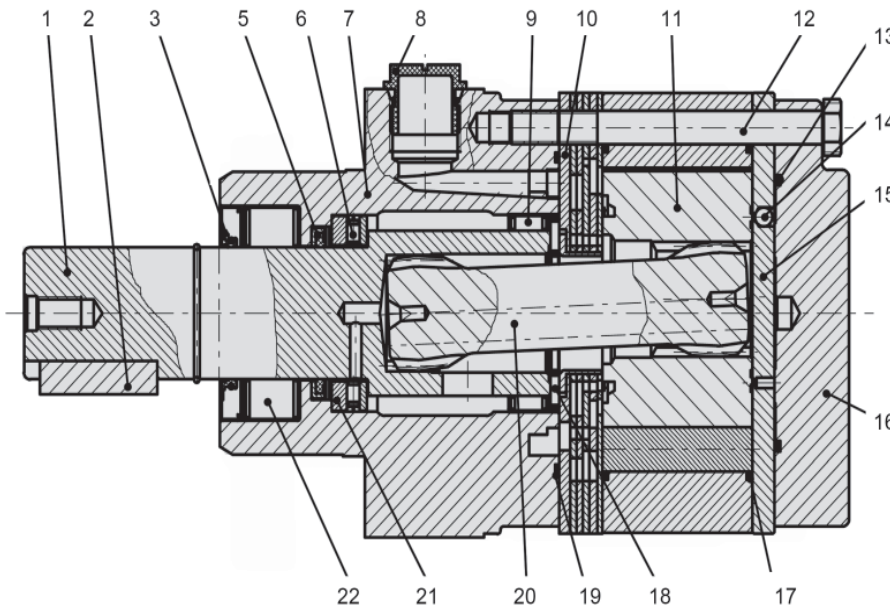
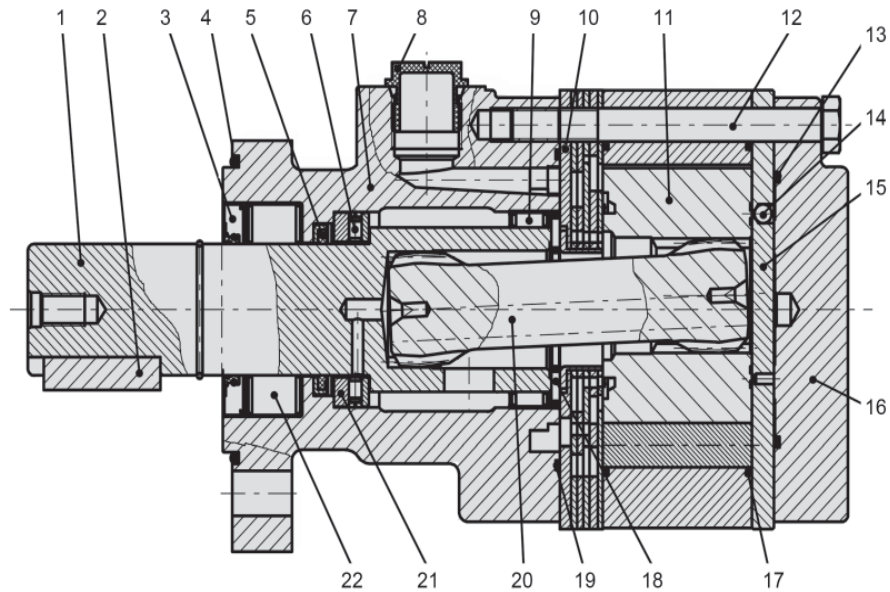


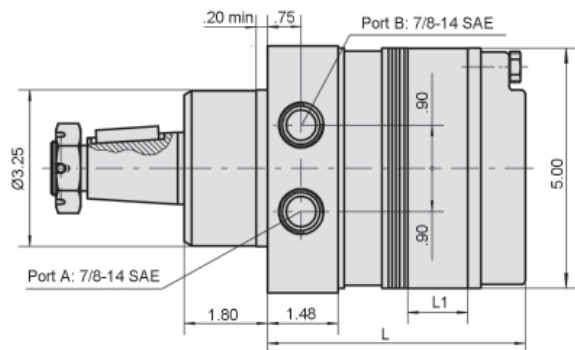
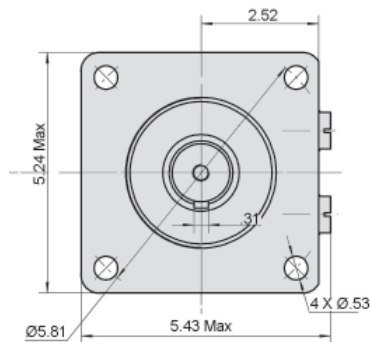
Diagram Key

- | | |
|-------------------------|--------------------------|
| 1 Output Shaft | 12 Bolt |
| 2 Key | 13 "O" Ring |
| 3 Dust Seal | 14 Ball |
| 4 "O" Ring | 15 Balance Plate |
| 5 Shaft Seal | 16 End Cover |
| 6 Axial Needle Bearing | 17 "O" Ring |
| 7 Housing | 18 Axial Needle Bearing |
| 8 Port Plug | 19 "O" Ring |
| 9 Radial Needle Bearing | 20 Drive Shaft |
| 10 Timing Plate | 21 Thrust Washer |
| 11 Rotorotor Gear Set | 22 Radial Needle Bearing |

BMER-2 Installation Data

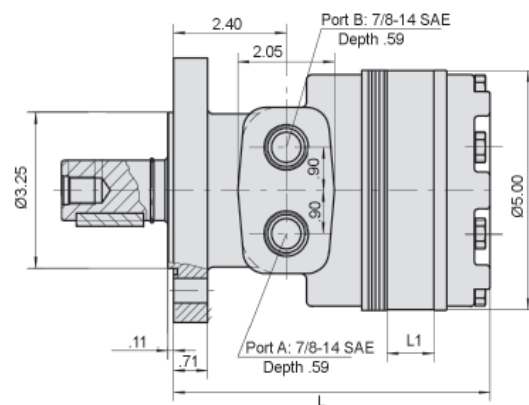
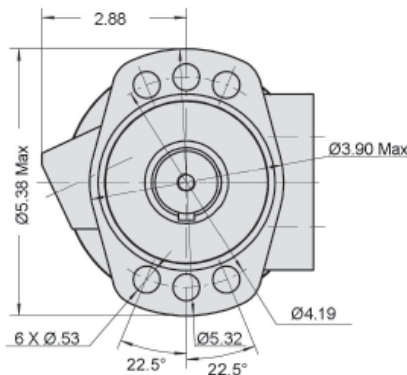
WS - Wheel Drive

Motor Size	L	L1
125	4.68"	0.40"
160	4.80"	0.53"
200	4.94"	0.67"
230	5.04"	0.77"
250	5.14"	0.87"
300	5.30"	1.00"
350	5.43"	1.16"
375	5.53"	1.25"
475	5.83"	1.55"
540	6.14"	1.86"
750	6.93"	2.50"



FS - Magneto Mount

Motor Size	L	L1
125	6.18"	0.40"
160	6.30"	0.53"
200	6.44"	0.67"
230	6.54"	0.77"
250	6.63"	0.87"
300	6.77"	1.00"
350	6.93"	1.16"
375	7.03"	1.25"
475	7.32"	1.55"
540	7.64"	1.86"
750	8.27"	2.50"



Ordering Example:

Model	Frame Size	Flange	Drive Shaft	Ports	Rotation	Options
BMER-2	375	FS	RW	S		

Model	Frame Size	Mounting Flange	Drive Shaft	Port Size	Rotation
BMER-2	125 (7.20)	WS = Wheel Mount	RW = 1" Keyed	S = 7/8" - 14 SAE	Omit = Clockwise
	160 (9.52)	FS = Magneto Mount	SW = 6B Spline		R = Counter-Clockwise
	200 (11.96)		G2 = 1 1/4" Keyed		<i>Note: Direction of rotation is indicated when "A" port is pressurized</i>
	230 (13.91)		FD1 = 14-Tooth Spline		
	250 (15.68)		T4 = 1 1/4" Tapered		
	300 (18.08)		G32 = 1 1/2" Keyed		
	350 (21.05)		T31 = 1 1/2" Tapered		
	375 (22.63)				
	475 (28.18)				
	540 (32.94)				
	750 (45.45)				

Options

CR = Cavity Valve Relief

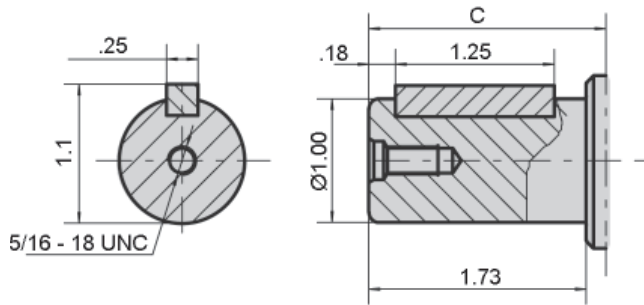
*Special Order

**Additional flange and drive shaft options available please consult factory.

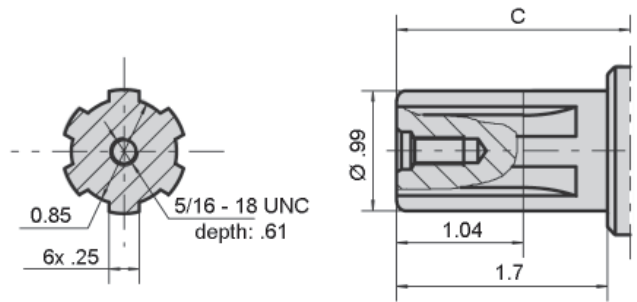
Seal kits for BMER-2 motors (and older BMER-1 motors) are available for purchase. Order seal kits using item description: "BMER-2 Seal Kit" or "BMER-1 Seal Kit".

BMER-2 Drive Shaft Data

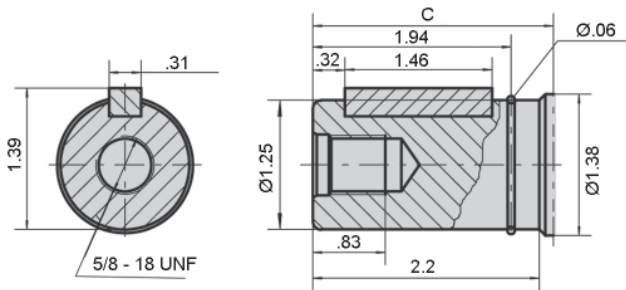
RW - 1" Keyed



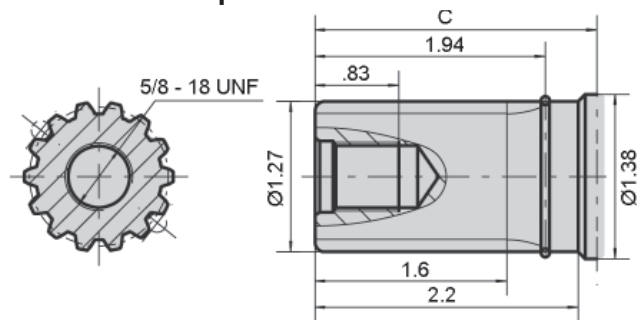
SW - 6B Spline



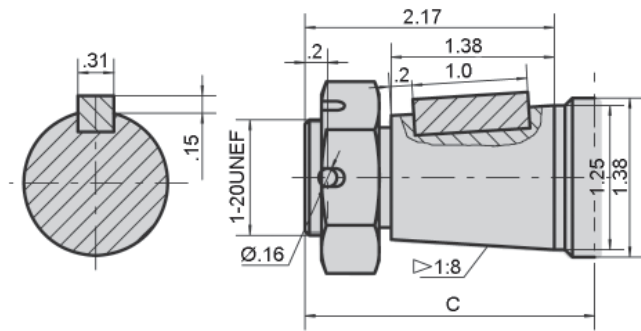
G2 - 1 1/4" Keyed



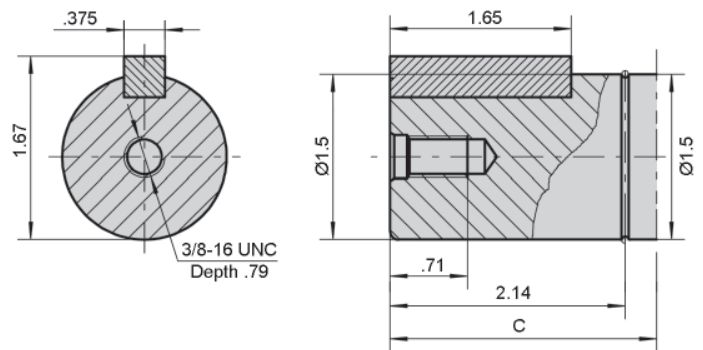
FD1 - 14-Tooth Spline



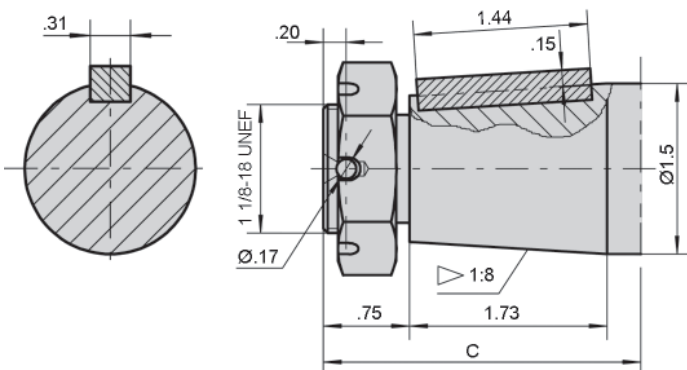
T4 - 1 1/4" Tapered



G32 - 1 1/2" Keyed



T31 - 1 1/2" Tapered



Dimension "C"

From Mounting Flange to Shaft End

Shaft Code	Wheel Mount (WS)	Magneto Mount (FS)
RW	3.58"	1.96"
SW	3.58"	1.96"
G2	4.05"	2.40"
T4	4.21"	2.56"
FD1	4.05"	2.40"
G32	4.23"	2.56"
T31	4.61"	2.93"

BMER Flow Data

BMER-2 125		7.20 in ³ /rev (118 cm ³ /rev)					Max Cont.	Max Int.		
Pressure (psi →)	254	508	1015	1523	2031	2538	2973	3481		
FLOW	(gpm ↓)	Torque (in·lbf) Speed Specification								
	0.53	177	443	850	1212					
		14 rpm	13 rpm	11 rpm	7 rpm					
	1.06	212	469	974	1469	1956				
		28 rpm	26 rpm	24 rpm	19 rpm	13 rpm				
	2.11		487	1000	1540	1991	2354	2602	2974	
			60 rpm	54 rpm	50 rpm	45 rpm	39 rpm	35 rpm	26 rpm	
	3.96		469	1009	1593	2071	2434	2885	3080	
			115 rpm	110 rpm	100 rpm	96 rpm	90 rpm	84 rpm	76 rpm	
	6.60		425	974	1451	2000	2407	2859	3115	
			194 rpm	185 rpm	173 rpm	168 rpm	160 rpm	155 rpm	149 rpm	
	8.98			956	1469	1947	2460	2788	3301	
			276 rpm	260 rpm	244 rpm	232 rpm	225 rpm	217 rpm		
11.88			867	1416	1903	2398	2726	3266		
			362 rpm	350 rpm	342 rpm	325 rpm	322 rpm	303 rpm		
14.00 <i>Max Cont.</i>			797	1345	1841	2345	2690			
			423 rpm	418 rpm	404 rpm	399 rpm	371 rpm			
15.85 <i>Max Int.</i>			726	1248	1814	2301	2655			
			488 rpm	472 rpm	455 rpm	442 rpm	421 rpm			

BMER-2 160		9.52 in ³ /rev (156 cm ³ /rev)					Max Cont.	Max Int.		
Pressure (psi →)	254	508	1015	1523	2031	2538	2973	3481		
FLOW	(gpm ↓)	Torque (in·lbf) Speed Specification								
	0.53	310	655	1292	1929	2637				
		8 rpm	4 rpm	3 rpm	3 rpm	2 rpm				
	1.06	257	699	1389	2080	2797	3275	3752		
		22 rpm	19 rpm	18 rpm	16 rpm	14 rpm	13 rpm	8 rpm		
	2.11	310	690	1398	2089	2761	3301	3983	4655	
		47 rpm	44 rpm	42 rpm	40 rpm	37 rpm	34 rpm	32 rpm	27 rpm	
	3.96	327	655	1372	2071	2744	3257	3894	4575	
		93 rpm	90 rpm	86 rpm	84 rpm	82 rpm	79 rpm	75 rpm	69 rpm	
	6.60		602	1345	2009	2726	3221	3859	4416	
			155 rpm	151 rpm	147 rpm	142 rpm	137 rpm	131 rpm	124 rpm	
	8.98		602	1345	2009	2726	3221	3859	4416	
		214 rpm	213 rpm	210 rpm	204 rpm	198 rpm	191 rpm	184 rpm		
11.88		566	1266	1929	2620	3186	3761	4257		
		282 rpm	280 rpm	275 rpm	268 rpm	263 rpm	256 rpm	245 rpm		
14.00			1195	1912	2593	3159	3726	4213		
			330 rpm	327 rpm	322 rpm	315 rpm	306 rpm	296 rpm		
15.85 <i>Max Cont.</i>			1080	1832	2513	3098	3682	4133		
			379 rpm	376 rpm	368 rpm	362 rpm	356 rpm	345 rpm		
17.96			965	1682	2416	3053	3151			
			423 rpm	419 rpm	414 rpm	406 rpm	345 rpm			
19.81 <i>Max Int.</i>			920	1664	2390	2982	3151			
			472 rpm	466 rpm	460 rpm	450 rpm	337 rpm			

BMER-2 200		11.96 in ³ /rev (196 cm ³ /rev)						Max Cont.	Max Int.	
Pressure (psi →)		254	508	1015	1523	2031	2538	2973	3481	
FLOW	(gpm ↓)	Torque (in·lbf) Speed Specification								
	0.53	345	779	1168	2531	3275				
		8 rpm	4 rpm	4 rpm	3 rpm	2 rpm				
	1.06	372	752	1664	2390	3186	3779	4478		
		16 rpm	14 rpm	13 rpm	11 rpm	10 rpm	9 rpm	6 rpm		
	2.11	381	797	1699	2575	3248	3983	4682	5310	
		35 rpm	32 rpm	29 rpm	28 rpm	27 rpm	25 rpm	23 rpm	19 rpm	
	3.96	336	814	1735	2637	3372	4089	4691	5328	
		74 rpm	71 rpm	68 rpm	64 rpm	60 rpm	58 rpm	55 rpm	50 rpm	
	6.60		726	1664	2505	3336	4036	4673	5354	
			124 rpm	121 rpm	117 rpm	113 rpm	108 rpm	103 rpm	92 rpm	
	8.98		699	1620	2390	3204	3956	4558	5230	
			170 rpm	169 rpm	167 rpm	160 rpm	154 rpm	146 rpm	135 rpm	
	11.88			1443	2292	3115	3903	4514	5248	
				223 rpm	218 rpm	212 rpm	208 rpm	199 rpm	189 rpm	
	14.00			1319	2266	3098	3894	4514	5151	
			260 rpm	258 rpm	254 rpm	248 rpm	241 rpm	230 rpm		
15.85			1168	2195	2974	3823	4434	5089		
			299 rpm	292 rpm	284 rpm	276 rpm	272 rpm	263 rpm		
17.96 <i>Max Cont.</i>			1062	2036	2921	3646	4398	5045		
			336 rpm	332 rpm	327 rpm	319 rpm	310 rpm	301 rpm		
19.81			956	1841	2752	3567	4301			
			375 rpm	372 rpm	365 rpm	358 rpm	350 rpm			
22.44 <i>Max Int.</i>				1628	2478	3363	4088			
				425 rpm	420 rpm	411 rpm	390 rpm			

BMER-2 230		13.91 in ³ /rev (228 cm ³ /rev)						Max Cont.	Max Int.	
Pressure (psi →)		254	508	1015	1523	2031	2538	2973	3481	
FLOW	(gpm ↓)	Torque (in·lbf) Speed Specification								
	0.53	389	797	1611	2575	3310				
		6 rpm	4 rpm	3 rpm	2 rpm	1 rpm				
	1.06	425	885	1912	2744	3584	4283	4859		
		15 rpm	13 rpm	11 rpm	11 rpm	9 rpm	7 rpm	3 rpm		
	2.11	443	920	1876	2832	3726	4584	5337	6195	
		31 rpm	29 rpm	27 rpm	25 rpm	23 rpm	20 rpm	16 rpm	10 rpm	
	3.96	389	938	1832	2814	3770	4682	5514	6301	
		63 rpm	61 rpm	58 rpm	55 rpm	52 rpm	47 rpm	41 rpm	34 rpm	
	6.60		894	1850	2867	3788	4708	5487	6239	
			103 rpm	100 rpm	96 rpm	92 rpm	87 rpm	81 rpm	71 rpm	
	8.98		779	1814	2797	3726	4620	5514	6213	
			145 rpm	143 rpm	139 rpm	133 rpm	126 rpm	120 rpm	109 rpm	
	11.88			1646	2602	3735	4487	5266	6089	
				192 rpm	187 rpm	182 rpm	176 rpm	170 rpm	160 rpm	
	14.00			1549	2567	3478	4390	5266	6000	
			226 rpm	221 rpm	215 rpm	208 rpm	203 rpm	194 rpm		
15.85			1345	2390	3452	4292	5168	5850		
			256 rpm	253 rpm	248 rpm	242 rpm	235 rpm	222 rpm		
17.96 <i>Max Cont.</i>			1239	2345	3106	4266	5036	5682		
			292 rpm	288 rpm	283 rpm	278 rpm	273 rpm	256 rpm		
19.81			1097	2080	3044	3965	4983			
			324 rpm	321 rpm	314 rpm	308 rpm	300 rpm			
22.44 <i>Max Int.</i>				1832	2965	3912	4832			
				366 rpm	360 rpm	351 rpm	338 rpm			

BMER-2 250		15.68 in ³ /rev (257 cm ³ /rev)						Max Cont.	Max Int.
Pressure (psi →)	254	508	1015	1523	2031	2538	2973	3481	
FLOW	(gpm ↓)	Torque (in·lbf) Speed Specification							
	0.53	425	982						
		5 rpm	2 rpm						
	1.06	478	1000	2097	3204	4168	5045	5682	
		12 rpm	11 rpm	10 rpm	9 rpm	8 rpm	6 rpm	3 rpm	
	2.11	478	1018	2159	3239	4266	5195	6089	
		27 rpm	26 rpm	24 rpm	22 rpm	20 rpm	18 rpm	14 rpm	
	3.96	443	1000	2266	3248	4292	5230	6124	7027
		57 rpm	56 rpm	54 rpm	51 rpm	48 rpm	45 rpm	43 rpm	37 rpm
	6.60	389	1009	2133	3186	4319	5248	6186	6921
		95 rpm	93 rpm	90 rpm	86 rpm	82 rpm	77 rpm	72 rpm	63 rpm
	8.98		841	2000	3080	4257	5222	6071	6850
			129 rpm	125 rpm	121 rpm	116 rpm	111 rpm	106 rpm	96 rpm
	11.88		681	1903	3062	4142	5062	5965	6894
			174 rpm	173 rpm	170 rpm	166 rpm	161 rpm	155 rpm	143 rpm
	14.00		584	1770	2876	3965	4991	5965	6691
			203 rpm	202 rpm	200 rpm	196 rpm	190 rpm	184 rpm	175 rpm
	15.85			1593	2620	3876	4868	5814	6558
			232 rpm	229 rpm	225 rpm	220 rpm	215 rpm	202 rpm	
17.96			1434	2602	3673	4850	5682	6461	
			262 rpm	261 rpm	257 rpm	250 rpm	241 rpm	228 rpm	
19.81 <i>Max Cont.</i>			1212	2425	3434	4602	5637	6425	
			290 rpm	289 rpm	278 rpm	280 rpm	273 rpm	260 rpm	
22.44			1151	2310	3275	4505	5345		
			328 rpm	326 rpm	322 rpm	316 rpm	307 rpm		
23.76 <i>Max Int.</i>			752	1982	3168	4337			
			348 rpm	347 rpm	344 rpm	336 rpm			

BMER-2 300		18.06 in ³ /rev (296 cm ³ /rev)						Max Cont.	Max Int.
Pressure (psi →)	254	508	1015	1523	2031	2538	2973	3481	
FLOW	(gpm ↓)	Torque (in·lbf) Speed Specification							
	0.53	443	823						
		3 rpm	1 rpm						
	1.06	549	1248	2602	3797	4443	5469		
		11 rpm	10 rpm	9 rpm	8 rpm	7 rpm	4 rpm		
	2.11	558	1301	2637	3823	5000	5903	6735	7248
		22 rpm	21 rpm	20 rpm	19 rpm	16 rpm	13 rpm	9 rpm	5 rpm
	3.96	584	1274	2699	3779	5027	5938	7169	7912
		48 rpm	47 rpm	45 rpm	43 rpm	39 rpm	33 rpm	28 rpm	20 rpm
	6.60	522	1221	2558	3717	4885	5983	7000	8248
		82 rpm	81 rpm	80 rpm	76 rpm	71 rpm	64 rpm	56 rpm	44 rpm
	8.98	425	1151	2628	3478	4974	6098	7124	8195
		113 rpm	112 rpm	110 rpm	107 rpm	102 rpm	96 rpm	86 rpm	73 rpm
	11.88		850	2372	3407	4664	5629	6664	7788
			150 rpm	149 rpm	148 rpm	143 rpm	135 rpm	124 rpm	112 rpm
	14.00		673	2142	3390	4637	5584	6664	7965
			177 rpm	176 rpm	175 rpm	173 rpm	165 rpm	152 rpm	138 rpm
	15.85		566	1991	3204	4478	5549	6708	7894
		200 rpm	199 rpm	198 rpm	193 rpm	186 rpm	174 rpm	162 rpm	
17.96			1770	2947	4160	5576	6664	7806	
			225 rpm	224 rpm	222 rpm	212 rpm	201 rpm	194 rpm	
19.81 <i>Max Cont.</i>			1575	2850	4106	5399	6638	7700	
			251 rpm	250 rpm	246 rpm	240 rpm	232 rpm	215 rpm	
22.44			1239	2797	4027	5045	6443		
			285 rpm	284 rpm	278 rpm	270 rpm	257 rpm		
25.08 <i>Max Int.</i>			938	2301	3814	4885	6195		
			316 rpm	314 rpm	311 rpm	307 rpm	292 rpm		

BMER-2 350		21.05 in ³ /rev (345 cm ³ /rev)						Max Cont.	Max Int.	
Pressure (psi →)		254	508	1015	1523	2031	2538	2973	3481	
FLOW	(gpm ↓)	Torque (in·lbf) Speed Specification								
	0.53	558	1177							
		4 rpm	4 rpm							
	1.06	566	1195	2567	3894					
		10 rpm	9 rpm	8 rpm	7 rpm					
	2.11	602	1292	2744	4053	5213	6505	7496		
		21 rpm	20 rpm	20 rpm	19 rpm	18 rpm	16 rpm	12 rpm		
	3.96	637	1328	2779	4142	5549	6806	7788	8708	
		42 rpm	41 rpm	40 rpm	39 rpm	37 rpm	35 rpm	32 rpm	26 rpm	
	6.60	558	1310	2770	4160	5558	6770	7894	9009	
		70 rpm	69 rpm	68 rpm	66 rpm	63 rpm	60 rpm	55 rpm	46 rpm	
	8.98	460	1177	2690	4027	5478	6726	8009	9151	
		97 rpm	96 rpm	95 rpm	93 rpm	89 rpm	85 rpm	78 rpm	68 rpm	
	11.88		885	2310	3912	5160	6514	7850	9098	
			129 rpm	128 rpm	127 rpm	125 rpm	118 rpm	112 rpm	101 rpm	
	14.00		752	2186	3699	5009	6328	7850	9062	
		152 rpm	150 rpm	148 rpm	145 rpm	139 rpm	132 rpm	118 rpm		
15.85		575	2505	3629	4868	6301	7788	8815		
		171 rpm	170 rpm	169 rpm	167 rpm	162 rpm	155 rpm	143 rpm		
17.96			1929	3425	4806	6160	7452	8638		
			195 rpm	194 rpm	190 rpm	185 rpm	175 rpm	162 rpm		
19.81 <i>Max Cont.</i>			1823	3301	4558	6018	7301	8549		
			215 rpm	214 rpm	210 rpm	206 rpm	197 rpm	183 rpm		
22.44			1558	3142	4514	6009	7151			
			243 rpm	242 rpm	239 rpm	234 rpm	227 rpm			
25.08 <i>Max Int.</i>				3124	4505	5708				
				272 rpm	269 rpm	265 rpm				

BMER-2 375		22.63 in ³ /rev (371 cm ³ /rev)						Max Cont.	Max Int.	
Pressure (psi →)		254	508	1015	1523	2031	2538	2973	3481	
FLOW	(gpm ↓)	Torque (in·lbf) Speed Specification								
	0.53	664								
		3 rpm								
	1.06	735	1416	2921	4319	5629	6735			
		8 rpm	8 rpm	7 rpm	6 rpm	5 rpm	3 rpm			
	2.11	717	1505	3151	4664	6009	7275	8390	9381	
		18 rpm	17 rpm	17 rpm	16 rpm	14 rpm	12 rpm	9 rpm	5 rpm	
	3.96	673	1434	3151	4717	6045	7478	8655	9753	
		39 rpm	38 rpm	37 rpm	35 rpm	32 rpm	29 rpm	25 rpm	18 rpm	
	6.60	602	1381	3098	4637	6018	7584	8797	10071	
		65 rpm	64 rpm	62 rpm	59 rpm	55 rpm	48 rpm	44 rpm	35 rpm	
	8.98	513	1310	3000	4478	6107	7443	8788	10133	
		90 rpm	89 rpm	87 rpm	83 rpm	77 rpm	71 rpm	63 rpm	53 rpm	
	11.88		1071	2673	4230	5753	7195	8602	10036	
			120 rpm	119 rpm	117 rpm	113 rpm	108 rpm	100 rpm	90 rpm	
	14.00		841	2496	4124	5558	6947	8602	9762	
		141 rpm	140 rpm	138 rpm	134 rpm	128 rpm	120 rpm	105 rpm		
15.85		664	2336	3788	5239	6779	8266	9470		
		161 rpm	161 rpm	160 rpm	158 rpm	155 rpm	151 rpm	141 rpm		
17.96			2053	3735	5177	6691	8186	9434		
			182 rpm	180 rpm	176 rpm	169 rpm	161 rpm	148 rpm		
19.81 <i>Max Cont.</i>			1832	3363	4921	6531	7974	8956		
			201 rpm	200 rpm	195 rpm	190 rpm	181 rpm	165 rpm		
22.44			1579	3275	4655	6195	7363			
			228 rpm	226 rpm	221 rpm	216 rpm	206 rpm			
23.76 <i>Max Int.</i>			1310	2797	4425	5788				
			242 rpm	240 rpm	237 rpm	226 rpm				

BMER-2 400		24.71 in ³ /rev (405 cm ³ /rev)						Max Cont.	Max Int.
Pressure (psi →)	254	508	1015	1523	2031	2538	2756	3263	
FLOW	(gpm ↓)	Torque (in·lbf) Speed Specification							
	0.53	752	1505						
		3	2						
	1.06	797	1611	3257	4779	6328	7832		
		8	7	6	5	4	3		
	2.11	823	1682	3407	5089	6638	7921	8408	10222
		17	16	15	14.4	13	10	9	7
	3.96	779	1593	3363	5089	6638	8009	8673	10310
		36	35	34	33	31	28	24	20
	6.60	779	1593	3363	5089	6638	8098	8939	10310
		60	59	58	56	53	49	44	40
	8.98	664	1460	3230	4956	6638	8098	8850	10443
		83	83	82	81	77	72	68	60
	11.88		1328	3098	4823	6505	7965	8673	10310
			110	110	109	106	102	94	86
	14.00		1106	2921	4646	6372	7832	8496	10178
			130	129	128	125	120	112	100
	15.85		885	2699	4469	6018	7611	8319	9956
		147	147	146	145	142	138	130	
17.96			2434	4248	5841	7478	8186	9735	
			167	167	164	158	150	140	
19.81 <i>Max Cont.</i>			2213	4027	5620	7257	7965	9425	
			184	183	180	176	170	158	
22.44			1991	3673	5310	6947	7655		
			209	208	206	202	194		
23.76 <i>Max Int.</i>			1416	3230	5089	6815			
			220	218	216	210			

BMER-2 475		28.19 in ³ /rev (462 cm ³ /rev)						Max Cont.	Max Int.
Pressure (psi →)	254	508	1015	1523	2031	2538	2973		
FLOW	(gpm ↓)	Torque (in·lbf) Speed Specification							
	0.53	823	1646						
		2 rpm	1 rpm						
	1.06	867	1788	3584	5381	7124			
		7 rpm	6 rpm	5 rpm	5 rpm	4 rpm			
	2.11	867	1823	3806	5770	7469	8894	10443	
		15 rpm	14 rpm	13 rpm	13 rpm	12 rpm	10 rpm	8 rpm	
	3.96	832	1788	3903	5788	7744	9346	10956	
		31 rpm	30 rpm	28 rpm	28 rpm	26 rpm	23 rpm	20 rpm	
	6.60	832	1788	3903	5788	7744	9346	10956	
		52 rpm	51 rpm	48 rpm	45 rpm	43 rpm	39 rpm	35 rpm	
	8.98	664	1593	3717	5841	7523	9602	11204	
		72 rpm	71 rpm	68 rpm	65 rpm	61 rpm	55 rpm	44 rpm	
	11.88		1274	3363	5549	7390	9399	11160	
			96 rpm	95 rpm	93 rpm	90 rpm	84 rpm	73 rpm	
	14.00		1027	3062	5071	7036	8921	10726	
			113 rpm	112 rpm	111 rpm	107 rpm	102 rpm	90 rpm	
	15.85		726	2814	4770	6992	8629	10496	
		128 rpm	128 rpm	127 rpm	124 rpm	119 rpm	110 rpm		
17.96		513	2407	4602	6549	8452	10231		
		146 rpm	145 rpm	144 rpm	141 rpm	136 rpm	125 rpm		
19.81 <i>Max Cont.</i>			2036	4248	6213	8142	9877		
			161 rpm	160 rpm	158 rpm	153 rpm	140 rpm		
22.44			1770	4018	5859	7753			
			182 rpm	180 rpm	177 rpm	168 rpm			
23.76 <i>Max Int.</i>			1328	3345	5443	7434			
			194 rpm	193 rpm	190 rpm	182 rpm			

BMER-2 540		32.95 in ³ /rev (540 cm ³ /rev)				Max Cont.	Max Int.
Pressure (psi →)	254	508	1015	1523	2031	2538	
F L O W	(gpm ↓)	Torque (in•lbf) Speed Specification					
	0.53	929	1752				
		2 rpm	2 rpm				
	1.06	1106	2044	4160	6089	8248	10054
		6 rpm	5 rpm	5 rpm	4 rpm	4 rpm	3 rpm
	2.11	1186	2106	4390	6629	8549	10399
		13 rpm	13 rpm	12 rpm	11 rpm	11 rpm	8 rpm
	3.96	1080	(2036	4469	6638	8682	10779
		27 rpm	26 rpm	26 rpm	25 rpm	24 rpm	21 rpm
	6.60	885	1991	4425	6850	8726	10797
		44 rpm	43 rpm	42 rpm	41 rpm	39 rpm	35 rpm
	8.98	708	1876	4257	6620	8646	11001
		62 rpm	61 rpm	60 rpm	58 rpm	54 rpm	49 rpm
	11.88		1531	3867	6319	8284	10532
			82 rpm	82 rpm	81 rpm	79 rpm	75 rpm
	14.00		1257	3682	6000	8301	10355
			97 rpm	97 rpm	96 rpm	94 rpm	89 rpm
15.85		938	3363	5876	7930	10248	
		110 rpm	110 rpm	109 rpm	108 rpm	106 rpm	
17.96		752	3159	5452	7700	9806	
		125 rpm	124 rpm	124 rpm	123 rpm	120 rpm	
19.81 Max Cont.			2814	5310	7310	9735	
22.44			138 rpm	137 rpm	135 rpm	132 rpm	
			2584	4761	6903		
23.76 Max Int.			154 rpm	153 rpm	152 rpm		
			1894	4301	6682		
			169 rpm	168 rpm	168 rpm		

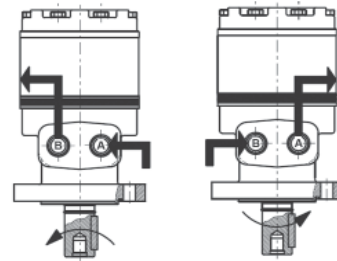
BMER-2 650		39.48 in ³ /rev (647 cm ³ /rev)				Max Cont.	Max Int.
Pressure (psi →)	254	508	1015	1523	1740	2248	
F L O W	(gpm ↓)	Torque (in•lbf) Speed Specification					
	0.53	1053	2036				
		2	1				
	1.06	1195	2372	4885	7124	8319	
		5	5	4	4	3	
	2.11	1283	2522	5080	7301	8452	11107
		11	11	10	10	9	7
	3.96	1239	2478	5266	7744	8691	11293
		22	22	21	21	20	16
	6.60	1151	2434	5222	7841	8894	11523
		37	36	36	35	34	30
	8.98	1018	2301	5133	7877	8983	11594
		51	51	50	49	47	44
	11.88		2080	4912	7700	8806	11328
			69	68	67	66	63
	14.00		1770	4602	7523	8629	11063
			80	80	79	78	76
15.85		1505	4337	7301	8275	10753	
		91	91	90	89	88	
17.96		1283	3806	6859	7788	10487	
		104	103	102	101	99	
19.81 Max Cont.			3717	6461	7567	10001	
21.91			114	113	112	110	
			3363	5841	7036		
23.76 Max Int.			130	129	128		
			2567	5177	6461		
			138	137	136		

BMER-2 750		45.46 in ³ /rev (745 cm ³ /rev)				Max Cont.	Max Int.
Pressure (psi →)	254	508	1015	1523	1740	2031	
FLOW	(gpm ↓)	Torque (in·lbf) Speed Specification					
	0.53	1283	2478				
		2 rpm	1 rpm				
	1.06	1416	2841	5788	8496	9868	11611
		4 rpm	4 rpm	4 rpm	3 rpm	3 rpm	2 rpm
	2.11	1434	2965	6089	9080	10257	11921
		9 rpm	9 rpm	9 rpm	8 rpm	8 rpm	7 rpm
	3.96	1381	2921	6142	9266	10478	12178
		19 rpm	19 rpm	18 rpm	18 rpm	17 rpm	16 rpm
	6.60	1257	2832	6089	9257	10434	12151
		32 rpm	31 rpm	30 rpm	30 rpm	29 rpm	27 rpm
	8.98	974	2549	5823	9036	10346	12089
		44 rpm	44 rpm	42 rpm	41 rpm	40 rpm	37 rpm
	11.88	628	2142	5487	8691	10116	11903
		60 rpm	59 rpm	59 rpm	58 rpm	58 rpm	55 rpm
	14.00		1788	5027	8328	9779	11576
		70 rpm	69 rpm	68 rpm	67 rpm	66 rpm	
15.85		1239	4664	7947	9611	11381	
		79 rpm	78 rpm	77 rpm	76 rpm	74 rpm	
17.96		885	4301	7540	9151	11071	
		90 rpm	90 rpm	89 rpm	88 rpm	87 rpm	
19.81 <i>Max Cont.</i>		575	3761	7186	8673	10425	
		99 rpm	99 rpm	98 rpm	97 rpm	96 rpm	
21.91			3496	6593	8018		
			110 rpm	109 rpm	108 rpm		
23.76 <i>Max Int.</i>			2637	5841	7080		
			120 rpm	119 rpm	117 rpm		

BMER-2 Technical Data

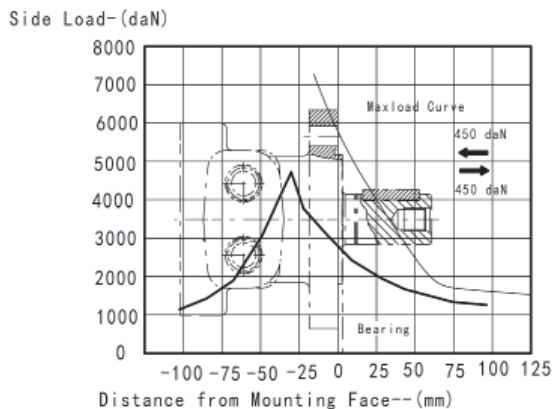
Shaft Rotation Direction: Reverse Timed

- When looking at the shaft end of motor, shaft will rotate:
- Clockwise when port "B" is pressurized.
 - Counter-clockwise when port "A" is pressurized.

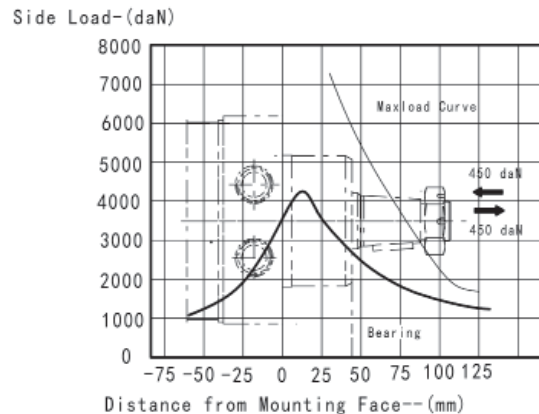


NEW Increased Radial Load Capacity!

Magneto Mount

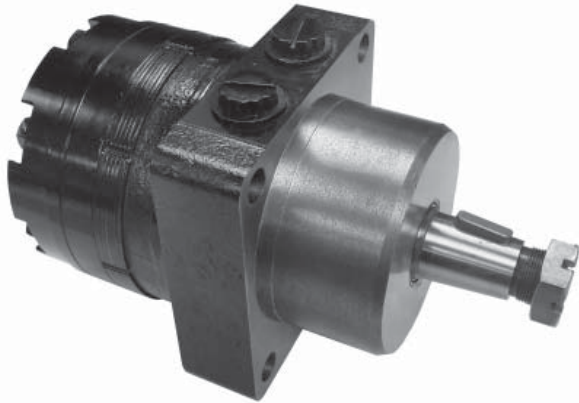


Wheel Mount



NEW!

Hydraulic Motor Model BMER-4 Crossover to White 520/521 Series



NEW Higher Side Load Capacity!

- High Speed Distribution Flow
- Distribution Range:
7.20 in³/rev to 45.45 in³/rev
- Wheel & Magneto Mount Options
- Extended Shafts Standard

The BMER-4 series motors adapt the Geroler gear set design with high speed distribution flow and high pressure. These motors can be supplied with various options for multifunctional operations in accordance with the application requirements. The output shaft tapered roller bearings permit high axial and radial forces offering a smooth operation during low pressure start up and high pressure operation.

These low weight advanced construction design motors are manufactured in accordance with the requirements of the ISO 9000-2000 quality system.

Consult website, www.dynamicfc.com, for full motor specifications and details.

Ordering Example:

Model **BMER-4** - Frame Size **475** - Flange **WS** - Drive Shaft **T4E** - Ports **S** - Rotation

Model	Frame Size	Mounting Flange	Drive Shaft	Port Size	Rotation
BMER-4	125 (7.20) 160 (9.52) 200 (11.96) 230 (13.91) 250 (15.68) 300 (18.08) 350 (21.05) 375 (22.63) 475 (28.18) 540 (32.94) 750 (45.45)	WS = Wheel Mount	RWE = 1" Keyed Ext G2E = 1 1/4" Keyed Ext T4E = 1 1/4" Tapered Ext FD1E = 14-Tooth Spline Ext SWE = 6B Spline Ext G32E = 1 1/2" Keyed Ext T31E = 1 1/2" Tapered Ext	S = 7/8" - 14 SAE	Omit = Clockwise R = Counter-Clockwise <i>Note: Direction of rotation is indicated when "A" port is pressurized</i>

*Special Order

**Additional flange and drive shaft options available please consult factory.

Seal kits for BMER-4 motors are available for purchase. Order seal kits using item description: "BMER-4 Seal Kit".

DYNAMIC

FLUID COMPONENTS, INC.

Hydraulic Motor BMT



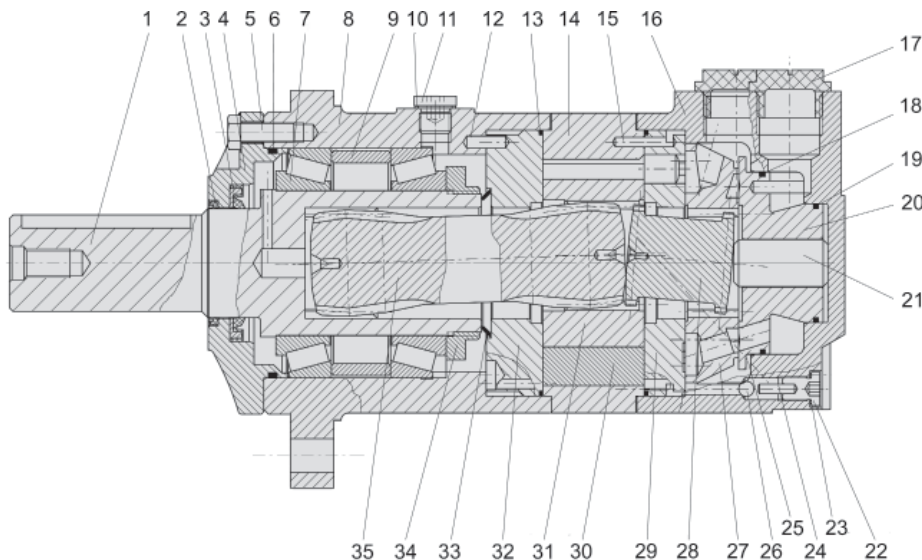
The BMT series motors adapt the advanced **ROLORTORC™** gear set design with **DISC** distribution flow and high pressure. These motors can be supplied with various options for multifunctional operations in accordance with the application requirements. The output shaft tapered roller bearings permit high axial and radial forces offering a smooth operation during low pressure start up and high pressure operation.

These low weight advanced construction design motors are manufactured in accordance with the requirements of the ISO 9000-2000 quality system.

Technical Specifications

MODEL		BMT 160	BMT 200	BMT 250	BMT 315	BMT 400	BMT 500	BMT 630	BMT 800
Displacement	<i>in³/rev</i> <i>cm³/rev</i>	9.83 (161.1)	12.29 (201.4)	15.36 (251.8)	19.91 (326.3)	25.07 (410.9)	31.95 (523.6)	38.39 (629.1)	48.93 (801.8)
Max Speed	Cont	614	615	495	380	302	237	196	154
	Int.	770	743	592	458	364	284	233	185
Max Torque	Cont	4168	5213	6434	8514	9691	11018	11664	12956
	Int.	5071	6354	7859	10213	11231	12470	13257	13452
Max Differential	Cont	2944	2944	2944	2944	2650	2355	2060	1840
	Int.	3533	3533	3533	3533	3091	2650	2355	1914
Max Flow	Cont	26.42	33.02	33.02	33.02	33.02	33.02	33.02	33.02
	Int.	33.02	39.63	39.63	39.63	39.63	39.63	39.63	39.63
Weight		44.09 lbs	46.30 lbs	46.30 lbs	46.30 lbs	50.71 lbs	52.91 lbs	55.11 lbs	57.32 lbs

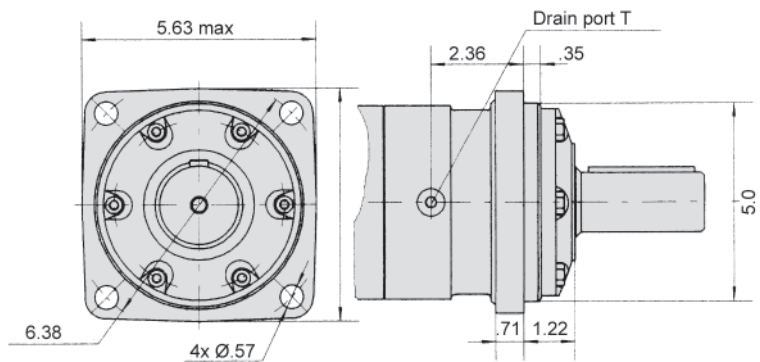
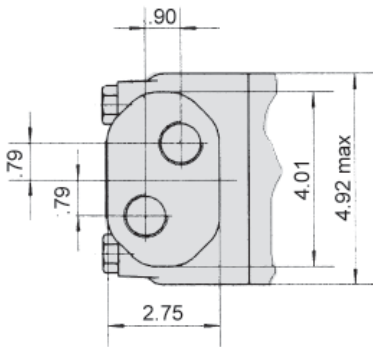
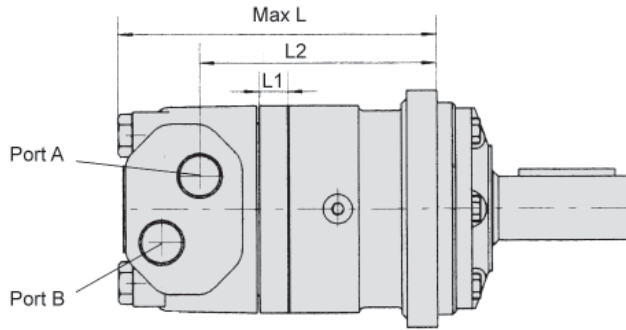
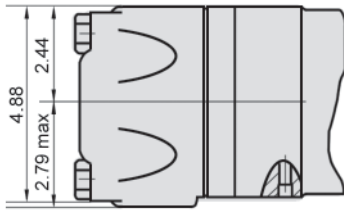
Continuous = maximum of continuous operation. Intermittent = maximum operating range for 6 seconds per minute



BMT Diagram Key

- | | |
|------------------|-----------------------|
| 1 Output Shaft | 19 "O" Ring |
| 2 Dust Seal | 20 Balance Plate |
| 3 Shaft Seal | 21 Spacer |
| 4 Front Cover | 22 Drain Plug |
| 5 Bolt | 23 Washer |
| 6 "O" Ring | 24 Pin |
| 7 Bearing | 25 Butterfly Ring |
| 8 Housing | 26 Ball Check |
| 9 Spacer Bearing | 27 Distributor Plate |
| 10 Washer | 28 Coupling |
| 11 Drain Plug | 29 Channel Plate |
| 12 Pin | 30 Rolortorc™ set |
| 13 "O" Ring | 31 Rotor |
| 14 Stator | 32 Intermediate Plate |
| 15 Rotor | 33 Butterfly Washer |
| 16 End Cover | 34 Lock Nut |
| 17 Drain Plug | 35 Drive Shaft |
| 18 "O" Ring | |

BMT Installation Data

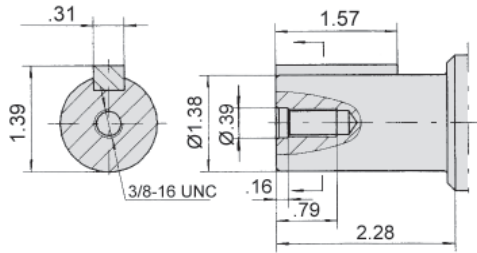


MODEL	L	L1	L2
BMT 160	7.60"	0.67"	5.61"
BMT 200	7.76"	0.83"	5.77"
BMT 250	8.03"	0.55"	6.00"
BMT 315	8.27"	0.79"	6.24"
BMT 400	8.54"	1.06"	6.52"
BMT 500	8.86"	1.38"	6.83"
BMT 630	9.33"	1.85"	7.30"
BMT 800	9.76"	2.28"	7.73"

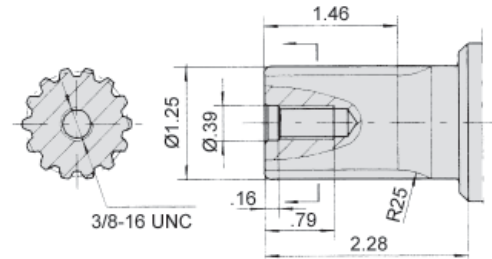
Port	Port Size
P (A, B)	1 1/16-12 SAE
T	7/16-20 SAE

BMT Drive Shaft Data

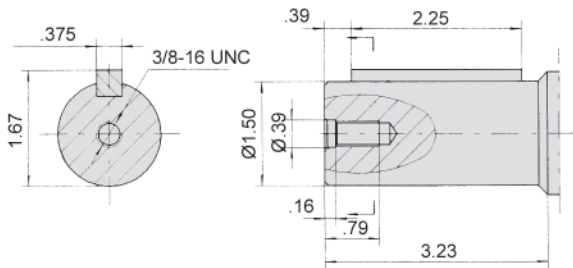
G1 - 1 1/4" Parallel Key



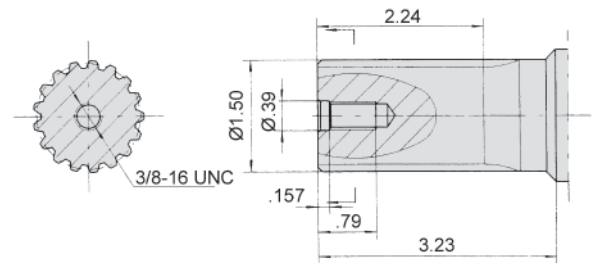
F1 - 1 1/4" - 14-Tooth DP Spline



G - 1 1/2" Parallel Key



F - 1 1/2" - 17-Tooth DP Spline



Ordering Example: Model **BMT** - Frame Size **400** - Flange **K6** - Drive Shaft **G** - Ports **S1** - Options

Model	Frame Size	Mounting Flange**	Drive Shaft**	Port Size	Options
BMT	160 (9.83) 200 (12.29) 250 (15.36) 315 (19.91) 400 (25.07) 500 (31.95) 630 (38.39) 800 (48.93)	K6 = 4-Bolt	G1 = 1 1/4" Parallel Key G = 1 1/2" Parallel Key F1 = 1 1/4" - 14 DP Spline F = 1 1/2" - 17 DP Spline	S1 = 1 1/16" - 12 SAE	1* = Free Running

* Special Order

** Additional flange and drive shaft options available. Please consult factory.

Seal kits for BMT Motors are available for purchase. Order seal kit using item description: "BMT Seal Kit".

BMT Flow Data

BMT 160		9.83 in ³ /rev (161.1 cm ³ /rev)					Max Cont.	Max Int.
Pressure (psi →)		588	1175	1470	1766	2355	2950	3535
F L O W	(gpm ↓)	Torque (in•lbf) Speed Specification						
	2.64	780	1558	2081	2434	3195	3956	4735
		60 rpm	59 rpm	58 rpm	56 rpm	54 rpm	50 rpm	44 rpm
	5.28	788	1602	2071	2451	3292	4062	4929
		121 rpm	120 rpm	117 rpm	114 rpm	109 rpm	103 rpm	95 rpm
	10.57	805	1593	2080	2451	3372	4168	5071
		249 rpm	246 rpm	243 rpm	236 rpm	230 rpm	223 rpm	212 rpm
	15.85	726	1575	2080	2451	3372	4160	5063
		371 rpm	367 rpm	362 rpm	356 rpm	349 rpm	340 rpm	330 rpm
	21.13	690	1531	2027	2443	3356	4124	5018
492 rpm		489 rpm	485 rpm	478 rpm	470 rpm	462 rpm	447 rpm	
26.42 Max Cont.	620	1416	1929	2380	3275	4026	4938	
	614 rpm	611 rpm	606 rpm	598 rpm	590 rpm	582 rpm	570 rpm	
33.02 Max Int.	513	1309	1867	2310	3177	3965	4885	
	770 rpm	764 rpm	758 rpm	750 rpm	741 rpm	731 rpm	715 rpm	

BMT 200		12.29 in ³ /rev (201.4 cm ³ /rev)					Max Cont.	Max Int.
Pressure (psi →)		588	1175	1470	1766	2355	2950	3535
F L O W	(gpm ↓)	Torque (in•lbf) Speed Specification						
	2.64	1097	2062	2558	340	454	560	669
		47 rpm	46 rpm	45 rpm	42 rpm	39 rpm	37 rpm	33 rpm
	5.28	1106	2715	2637	347	468	576	696
		95 rpm	94 rpm	92 rpm	90 rpm	87 rpm	84 rpm	75 rpm
	10.57	1062	2133	2620	352	475	589	716
		195 rpm	193 rpm	191 rpm	187 rpm	183 rpm	178 rpm	167 rpm
	15.85	1027	2097	2611	352	478	589	718
		297 rpm	295 rpm	292 rpm	287 rpm	282 rpm	276 rpm	263 rpm
	21.13	956	2044	2558	350	474	586	716
395 rpm		393 rpm	389 rpm	384 rpm	377 rpm	370 rpm	259 rpm	
26.42	871	2009	2531	344	471	580	712	
	493 rpm	490 rpm	486 rpm	482 rpm	475 rpm	467 rpm	460 rpm	
33.02 Max Cont.	743	1841	2443	333	459	566	697	
	615 rpm	611 rpm	607 rpm	602 rpm	595 rpm	588 rpm	572 rpm	
39.63 Max Int.	620	1717	2301	324	447	554	682	
	743 rpm	740 rpm	735 rpm	727 rpm	717 rpm	706 rpm	682 rpm	

BMT 250		15.36 in ³ /rev (251.8 cm ³ /rev)					Max Cont.	Max Int.
Pressure (psi →)		588	1175	1470	1766	2355	2950	3535
F L O W	(gpm ↓)	Torque (in•lbf) Speed Specification						
	2.64	1221	2531	3142	3708	4947	6098	7292
		38 rpm	38 rpm	37 rpm	36 rpm	34 rpm	32 rpm	31 rpm
	5.28	1266	2620	3221	3823	5133	6266	7550
		76 rpm	75 rpm	74 rpm	72 rpm	70 rpm	67 rpm	62 rpm
	10.57	1230	2664	3297	3894	5248	6400	7823
		156 rpm	154 rpm	152 rpm	149 rpm	146 rpm	142 rpm	134 rpm
	15.85	1168	2602	3292	3903	5239	6434	7860
		237 rpm	236 rpm	233 rpm	229 rpm	224 rpm	219 rpm	207 rpm
	21.13	1133	2505	3221	3832	5195	6381	7850
		317 rpm	316 rpm	314 rpm	308 rpm	303 rpm	299 rpm	284 rpm
	26.42	1115	2496	3142	3779	5151	6337	7779
396 rpm		394 rpm	391 rpm	387 rpm	381 rpm	373 rpm	359 rpm	
33.02 Max Cont.	1027	2301	3010	3665	5027	6222	7646	
	485 rpm	492 rpm	488 rpm	483 rpm	476 rpm	469 rpm	454 rpm	
39.63 Max Int.	779	2142	2832	3513	4885	6071	7496	
	592 rpm	589 rpm	585 rpm	580 rpm	572 rpm	565 rpm	545 rpm	

BMT 315		19.91 in ³ /rev (326.3 cm ³ /rev)					Max Cont.	Max Int.
Pressure (psi →)		588	1175	1470	1766	2355	2950	3535
F L O W	(gpm ↓)	Torque (in•lbf) Speed Specification						
	2.64	1628	3213	4009	4823	6496	7885	9399
		30 rpm	29 rpm	28 rpm	27 rpm	26 rpm	25 rpm	23 rpm
	5.28	1673	3363	4177	4975	6700	8115	9815
		60 rpm	59 rpm	58 rpm	56 rpm	54 rpm	52 rpm	50 rpm
	10.57	1690	3372	4283	5045	6850	8445	10170
		121 rpm	120 rpm	118 rpm	115 rpm	112 rpm	109 rpm	104 rpm
	15.85	1673	3328	4363	5070	6832	8514	10213
		183 rpm	181 rpm	179 rpm	175 rpm	172 rpm	168 rpm	158 rpm
	21.13	1584	3266	4240	5000	6797	8443	10204
		244 rpm	242 rpm	239 rpm	236 rpm	231 rpm	227 rpm	217 rpm
	26.42	1496	3160	4133	4975	6708	8357	10116
305 rpm		304 rpm	301 rpm	298 rpm	294 rpm	289 rpm	276 rpm	
33.02 Max Cont.	1301	2975	3955	4815	6595	8145	9975	
	380 rpm	378 rpm	375 rpm	371 rpm	367 rpm	362 rpm	349 rpm	
39.63 Max Int.	1053	8950	3825	4655	6310	7912	9710	
	458 rpm	456 rpm	453 rpm	449 rpm	444 rpm	431 rpm	425 rpm	

BMT 400		25.07 in ³ /rev (410.9 cm ³ /rev)					Max Cont.	Max Int.
Pressure (psi →)		440	880	1325	1766	2208	2652	3090
F L O W	(gpm ↓)	Torque (in•lbf) Speed Specification						
	2.64	1558	3248	4956	6328	7833	9293	10701
		24 rpm	23 rpm	22 rpm	21 rpm	20 rpm	19 rpm	18 rpm
	5.28	1584	3275	5001	6426	7957	9479	10940
		49 rpm	48 rpm	47 rpm	44 rpm	42 rpm	40 rpm	38 rpm
	10.57	1558	3275	5018	6488	8134	9656	11178
		96 rpm	95 rpm	93 rpm	90 rpm	87 rpm	83 rpm	79 rpm
	15.85	1540	3195	4983	6452	8143	9692	11232
		145 rpm	143 rpm	139 rpm	135 rpm	131 rpm	127 rpm	121 rpm
	21.13	1469	3124	4894	6364	8072	9594	11178
		193 rpm	191 rpm	188 rpm	184 rpm	180 rpm	1761 rpm	170 rpm
	26.42	1328	3000	4762	6266	7930	9444	11081
242 rpm		240 rpm	238 rpm	234 rpm	228 rpm	224 rpm	218 rpm	
33.02 Max Cont.	1195	2735	4638	6089	7727	9249	10807	
	302 rpm	300 rpm	298 rpm	294 rpm	289 rpm	285 rpm	178 rpm	
39.63 Max Int.	1115	2584	4496	5895	7541	9028	10594	
	364 rpm	362 rpm	358 rpm	354 rpm	350 rpm	346 rpm	339 rpm	

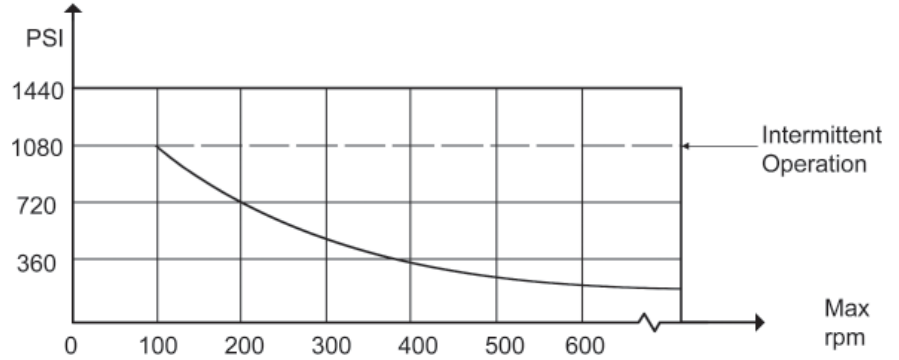
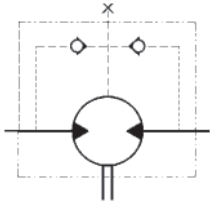
BMT 500		31.95 in³/rev (523.6 cm³/rev)					<i>Max Cont.</i>	<i>Max Int.</i>
Pressure (psi →)		440	880	1325	1766	2060	2355	2652
FLOW	(gpm ↓)	Torque (in·lbf) Speed Specification						
	2.64	1965	3992	6125	7895	9293	10559	11860
		18 rpm	18 rpm	18 rpm	17 rpm	16 rpm	15 rpm	13 rpm
	5.28	2045	4107	6319	8125	9470	10798	12187
		37 rpm	36 rpm	35 rpm	34 rpm	33 rpm	32 rpm	30 rpm
	10.57	2036	4124	6434	8329	9683	11010	12586
		75 rpm	74 rpm	73 rpm	72 rpm	70 rpm	68 rpm	64 rpm
	15.85	1991	4045	6319	8329	9630	11019	12471
		113 rpm	112 rpm	111 rpm	109 rpm	107 rpm	105 rpm	101 rpm
	21.13	1885	3815	6160	8205	9523	11010	12400
151 rpm		150 rpm	149 rpm	147 rpm	145 rpm	143 rpm	138 rpm	
26.42	1717	3717	6019	7978	9408	10833	12241	
	189 rpm	188 rpm	187 rpm	185 rpm	183 rpm	181 rpm	177 rpm	
33.02 <i>Max Cont.</i>	1611	3523	5673	7762	9063	10612	11966	
	237 rpm	236 rpm	235 rpm	233 rpm	231 rpm	229 rpm	225 rpm	
39.63 <i>Max Int.</i>	1301	3266	5470	7550	8886	10239	11727	
	284 rpm	283 rpm	282 rpm	280 rpm	278 rpm	276 rpm	272 rpm	

BMT 630		38.39 in³/rev (629.1 cm³/rev)					<i>Max Cont.</i>	<i>Max Int.</i>
Pressure (psi →)		440	880	1325	1546	1766	2060	2355
FLOW	(gpm ↓)	Torque (in·lbf) Speed Specification						
	2.64	2062	4602	7036	7983	9505	10567	12063
		14 rpm	14 rpm	13 rpm	13 rpm	13 rpm	11 rpm	11 rpm
	5.28	2097	4903	7407	8434	9885	10965	12452
		28 rpm	27 rpm	27 rpm	26 rpm	26 rpm	24 rpm	22 rpm
	10.57	2115	4894	7611	8735	10364	11576	13125
		62 rpm	62 rpm	61 rpm	60 rpm	59 rpm	56 rpm	54 rpm
	15.85	1974	4814	7638	8655	10372	11664	13257
		94 rpm	94 rpm	92 rpm	91 rpm	90 rpm	86 rpm	82 rpm
	21.13	1947	5071	7558	8540	10372	11629	13248
123 rpm		123 rpm	121 rpm	119 rpm	118 rpm	114 rpm	110 rpm	
26.42	1841	4620	7363	8363	10231	10231	13169	
	156 rpm	155 rpm	153 rpm	152 rpm	150 rpm	147 rpm	142 rpm	
33.02 <i>Max Cont.</i>	1779	4416	7169	8239	10062	11435	13028	
	196 rpm	196 rpm	194 rpm	192 rpm	191 rpm	187 rpm	183 rpm	
39.63 <i>Max Int.</i>	1540	4354	6947	8151	9912	11301	12868	
	233 rpm	232 rpm	231 rpm	230 rpm	227 rpm	223 rpm	217 rpm	

BMT 800		48.93 in³/rev (801.8 cm³/rev)					<i>Max Cont.</i>	<i>Max Int.</i>
Pressure (psi →)		440	880	1325	1546	1840	1914	
FLOW	(gpm ↓)	Torque (in·lbf) Speed Specification						
	2.64	3062	5991	8877	10257	12080	12302	
		12 rpm	12 rpm	11 rpm	11 rpm	11 rpm	10 rpm	
	5.28	3151	6124	9151	10470	12425	12903	
		24 rpm	24 rpm	24 rpm	23 rpm	22 rpm	18 rpm	
	10.57	3220	6222	9434	10939	12912	13417	
		50 rpm	50 rpm	49 rpm	48 rpm	46 rpm	40 rpm	
	15.85	3133	6222	9381	10947	12956	13417	
		74 rpm	73 rpm	71 rpm	71 rpm	68 rpm	63 rpm	
	21.13	2938	6071	9293	10850	12956	13399	
99 rpm		98 rpm	98 rpm	96 rpm	93 rpm	86 rpm		
26.42	3699	5788	9071	10682	12788	13328		
	125 rpm	123 rpm	123 rpm	121 rpm	118 rpm	110 rpm		
33.02 <i>Max Cont.</i>	2478	5505	8753	10452	12585	13160		
	154 rpm	153 rpm	153 rpm	150 rpm	149 rpm	140 rpm		
39.63 <i>Max Int.</i>	2186	5222	8454	10231	12443	13663		
	185 rpm	184 rpm	183 rpm	181 rpm	179 rpm	172 rpm		

BMT Technical Data

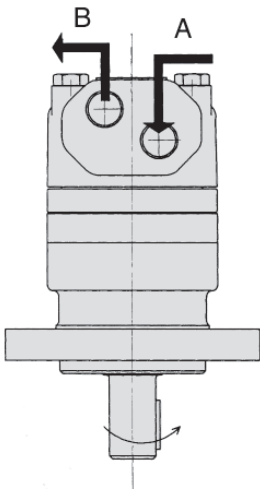
Shaft Seal Rated Pressure



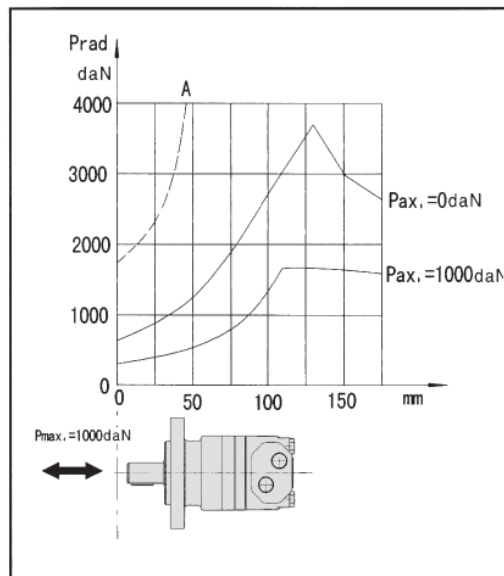
Case Drain

In applications without a motor drain line, the pressure exerted on the shaft seal is marginally in excess of the return line pressure. When the drain line is used, the pressure exerted on the shaft seal is equal to the return line pressure.

Shaft Rotation Direction

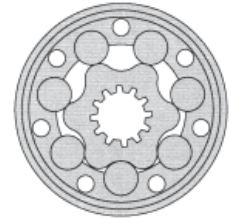
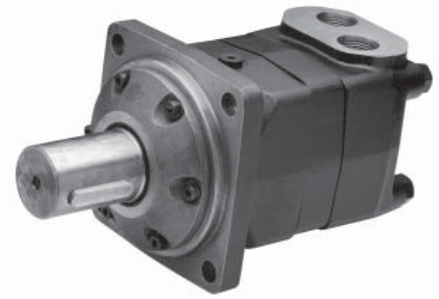


Axial and Radial forces



The output shaft runs tapered bearings that permit high axial and radial forces, Curve "A" shows max radial shaft load, Any shaft loads exceeding the values quoted in the curve will involve risk of breakage. The two other curves apply to a B10 bearing life of 3000 hours at 200 rpm.

Hydraulic Motor Model BMV



The BMV series motor adapts the advanced **ROLORTORC™** gear set design with **DISC** distribution flow and high pressure. These motors can be supplied with various options for multifunctional operations in accordance with the application requirements. The output shaft tapered roller bearings permit high axial and radial forces offering a smooth operation during low pressure start up and high pressure operation.

These low weight advanced construction design motors are manufactured in accordance with the requirements of the ISO 9000-2000 quality system.

Technical Specifications

MODEL		BMV 315	BMV 400	BMV 500	BMV 630	BMV 800	BMV 1000
Displacement	<i>in³/rev (cm³/rev)</i>	20.32 (333)	25.56 (419)	31.61 (518)	40.64 (666)	48.93 (802)	60.41 (990)
Max Speed	Cont	510	500	400	320	250	200
	Int.	630	600	480	380	300	240
Max Torque	Cont	8142	10443	12922	14692	16639	17834
	Int.	9736	12479	15577	17170	18675	20179
Max Differential	Cont	2900	2900	2900	2610	2320	2030
	Int.	3481	3481	3481	3045	2610	2320
Max Flow	Cont	42.3	52.8	52.8	52.8	52.8	52.8
	Int.	52.8	63.2	63.2	63.2	63.2	63.2
Weight		70 lbs	72 lbs	74 lbs	77 lbs	81 lbs	85 lbs

Continuous = maximum of continuous operation. Intermittent = maximum operating range for 6 seconds per minute

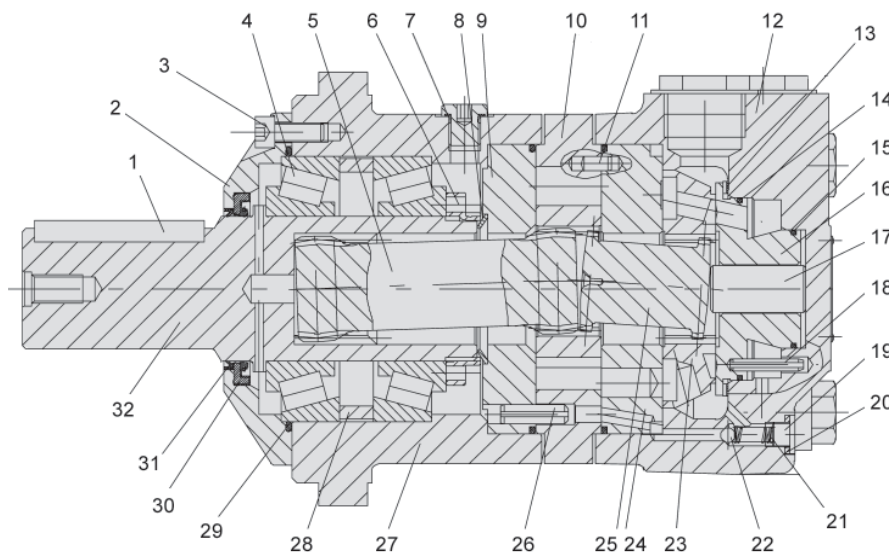
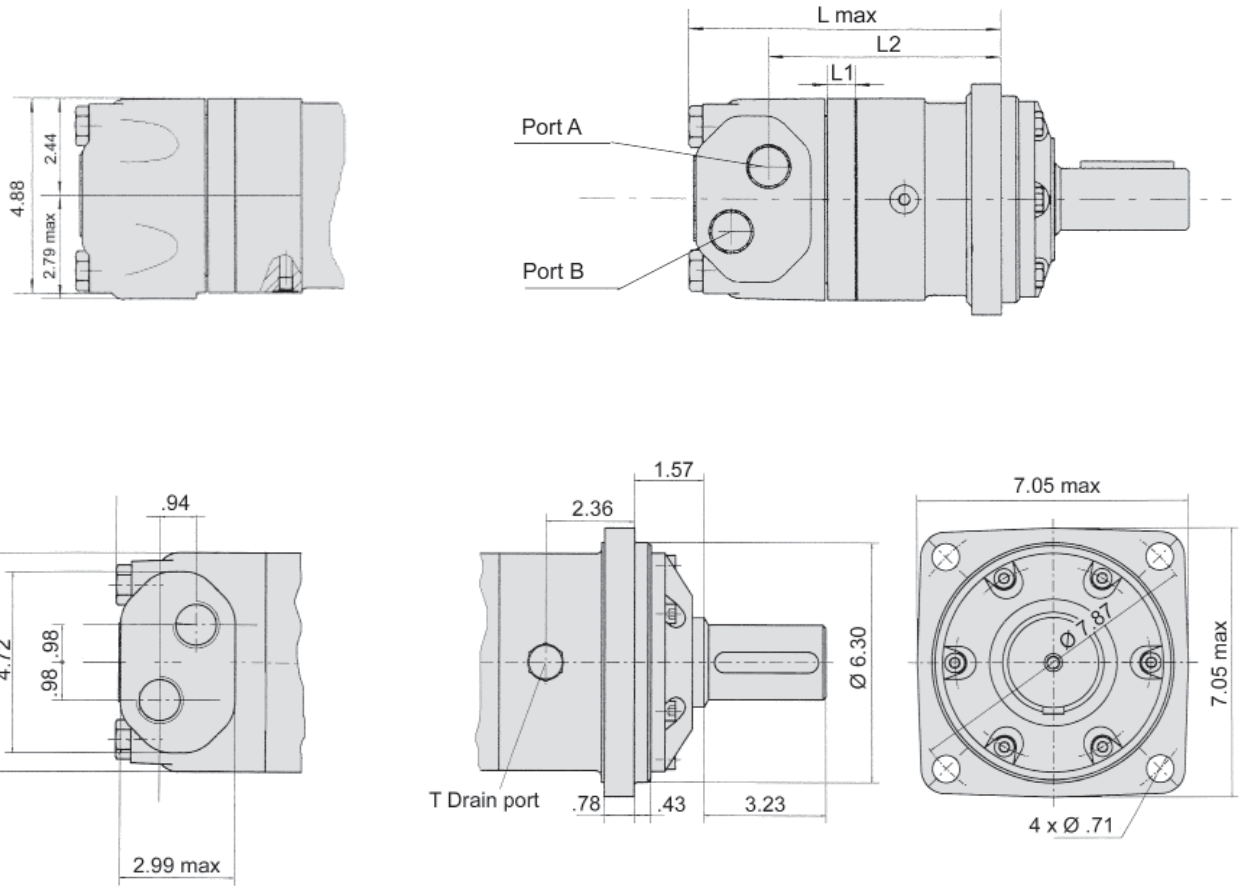


Diagram Key

- | | |
|---------------------------------|-------------------|
| 1 Parallel Key | 16 Balance Plate |
| 2 Flange | 17 Spacer |
| 3 Screw | 18 Pin |
| 4 Radial Tapered Roller Bearing | 19 Screw |
| 5 Drive | 20 Washer |
| 6 Lock Nut | 21 Spring |
| 7 Case Drain | 22 Ball |
| 8 Seal | 23 Valve Plate |
| 9 Intermediate Plate | 24 Channel Plate |
| 10 Rolortorc Set | 25 Valve Drive |
| 11 Pin | 26 Pin |
| 12 End Cover | 27 Housing |
| 13 Spring Washer | 28 Spacer Bushing |
| 14 "O" Ring | 29 "O" Ring |
| 15 "O" Ring | 30 Shaft Seal |
| | 31 Dust Seal |
| | 32 Shaft |

BMV Installation Data

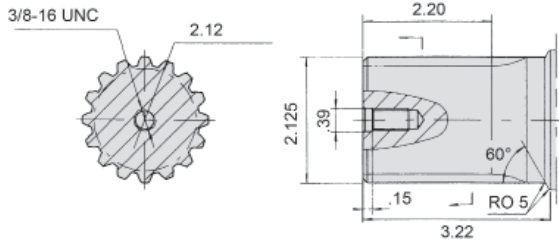


MODEL	L	L1	L2
BMV 315	8.54"	1.06"	6.36"
BMV 400	8.82"	1.33"	6.63"
BMV 500	9.13"	1.65"	6.95"
BMV 630	9.60"	2.12"	7.42"
BMV 800	10.04"	2.56"	7.85"
BMV 1000	10.67"	2.91"	8.48"

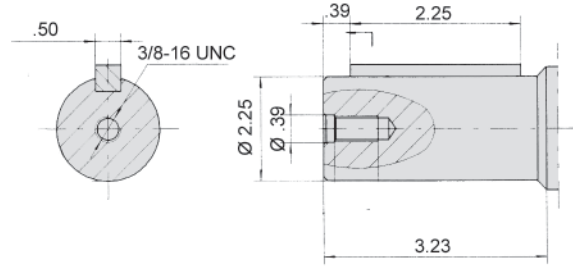
Port	Port Size
P (A, B)	SAE 16
T	SAE 6

BMV Drive Shaft Data

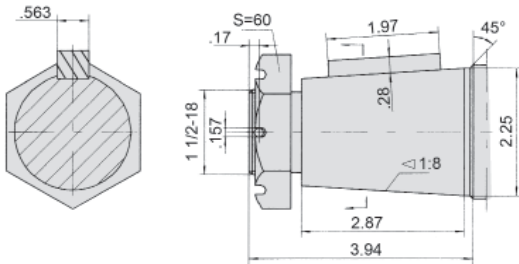
B - 2 1/8" 16 DP Spline



C - 2 1/4" Parallel Key



T1 - 2 1/4" Tapered



Ordering Example:

Model **BMV** - Frame Size **400** - Flange **4** - Drive Shaft **B** - Ports **S1** - Options

Model	Frame Size	Mounting Flange**	Drive Shaft	Port Size	Options
BMV	315 (20.32) 400 (25.56) 500 (31.61) 630 (40.64) 800 (48.93) 1000 (60.41)	4 = 4-Bolt	B = 2 1/8" 16 DP Spline C = 2 1/4" Parallel Key T1 = 2 1/4" Tapered	S1 = 1 5/16" - 12 SAE	F* = Free Running

*Special Order

**Additional flange options available. Please consult factory.

Seal kits for BMV Motors are available for purchase. Order seal kit using item description: "BMV Seal Kit".

BMV Flow Data

BMV 315		20.32 in ³ /rev (333 cm ³ /rev)					Max Cont.	Max Int.
Pressure (psi →)		507	1015	1450	2030	2610	2900	3480
F L O W	(gpm ↓)	Torque (in•lbf) Speed Specification						
	2.64	1239	2602	3894	5398	6467	7478	8850
		26 rpm	24 rpm	23 rpm	22 rpm	20 rpm	17 rpm	14 rpm
	5.28	1354	2779	4124	5629	6965	7921	9470
		55 rpm	54 rpm	53 rpm	52 rpm	51 rpm	48 rpm	44 rpm
	13.21	1318	2761	4115	5788	7213	8275	9842
		145 rpm	144 rpm	142 rpm	140 rpm	137 rpm	133 rpm	127 rpm
	19.81	1265	2690	4058	5682	7222	8319	9903
		220 rpm	218 rpm	215 rpm	211 rpm	207 rpm	202 rpm	195 rpm
	26.42	1203	2628	4000	5629	7169	8284	9806
		294 rpm	292 rpm	290 rpm	287 rpm	283 rpm	278 rpm	270 rpm
	33.02	1088	2531	3912	5540	7071	8151	9673
		368 rpm	366 rpm	364 rpm	361 rpm	357 rpm	352 rpm	345 rpm
	39.63 Max Cont.	1008	2433	3850	5443	6974	8018	9541
445 rpm		443 rpm	441 rpm	437 rpm	430 rpm	422 rpm	410 rpm	
42.27	947	2371	3805	5381	6903	7921	9470	
	475 rpm	473 rpm	470 rpm	466 rpm	460 rpm	452 rpm	439 rpm	
52.83 Max Int.	725	2203	3646	5248	6708	7708	9266	
	596 rpm	594 rpm	590 rpm	584 rpm	576 rpm	565 rpm	544 rpm	

BMV 400		25.56 in ³ /rev (419 cm ³ /rev)					Max Cont.	Max Int.
Pressure (psi →)		507	1015	1450	2030	2610	2900	3480
F L O W	(gpm ↓)	Torque (in•lbf) Speed Specification						
	2.64	1619	3407	5027	6868	8567	9744	11435
		20 rpm	20 rpm	19 rpm	18 rpm	17 rpm	16 rpm	14 rpm
	5.28	1734	3522	5221	7213	8939	10196	11913
		44 rpm	44 rpm	43 rpm	42 rpm	40 rpm	39 rpm	37 rpm
	13.21	1770	3557	5336	7452	9204	10496	12656
		114 rpm	113 rpm	113 rpm	112 rpm	110 rpm	108 rpm	103 rpm
	19.81	1725	3487	5275	7416	9231	10514	12674
		175 rpm	173 rpm	170 rpm	166 rpm	163 rpm	1579 rpm	152 rpm
	26.42	1522	3407	5248	7319	9169	10479	12612
		236 rpm	235 rpm	233 rpm	231 rpm	227 rpm	223 rpm	215 rpm
	33.02	1478	3310	5159	7222	9036	10417	12506
		296 rpm	294 rpm	291 rpm	288 rpm	282 rpm	275 rpm	268 rpm
	39.63	1398	3195	4947	7089	8921	10311	12302
355 rpm		354 rpm	352 rpm	349 rpm	344 rpm	335 rpm	324 rpm	
46.23	1265	3062	4894	6938	8753	10134	12187	
	416 rpm	414 rpm	411 rpm	407 rpm	403 rpm	396 rpm	388 rpm	
52.83 Max Cont.	1044	2929	4743	6815	8576	9983	12001	
	475 rpm	473 rpm	469 rpm	463 rpm	455 rpm	448 rpm	439 rpm	
63.40 Max Int.	725	2664	4478	6549	8346	9771	11789	
	571 rpm	569 rpm	565 rpm	548 rpm	539 rpm	530 rpm	520 rpm	

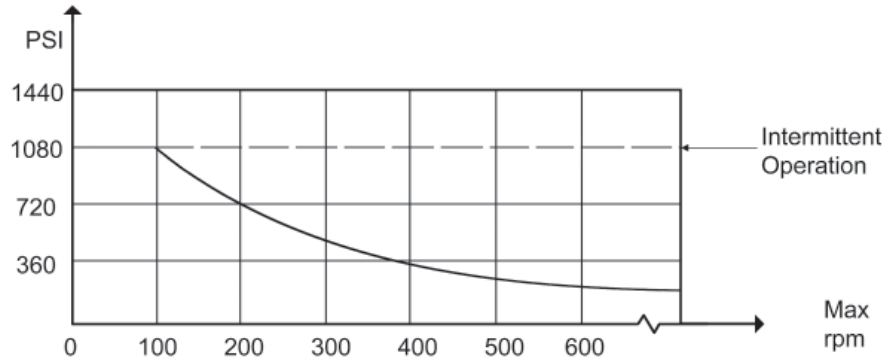
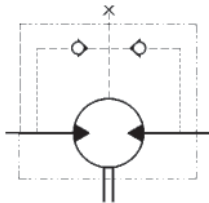
BMV 500		31.61 in ³ /rev (518 cm ³ /rev)					Max Cont.	Max Int.
Pressure (psi →)		507	1015	1450	2030	2610	2900	3480
F L O W	(gpm ↓)	Torque (in•lbf) Speed Specification						
	2.64	2141	4142	6160	8487	10532	11975	14223
		17 rpm	17 rpm	16 rpm	16 rpm	15 rpm	13 rpm	11 rpm
	5.28	2169	4434	6531	8877	10904	12337	14674
		36 rpm	35 rpm	35 rpm	34 rpm	33 rpm	32 rpm	29 rpm
	13.21	2124	4425	6708	9072	11240	12824	15426
		93 rpm	92 rpm	91 rpm	90 rpm	88 rpm	85 rpm	80 rpm
	19.81	2062	4407	6655	9116	11399	13054	15630
		140 rpm	139 rpm	137 rpm	135 rpm	132 rpm	127 rpm	120 rpm
	26.42	2017	4345	6620	9080	11408	13028	15577
		189 rpm	187 rpm	185 rpm	182 rpm	178 rpm	173 rpm	166 rpm
	33.02	1947	4274	6567	8974	11328	12922	15444
		237 rpm	236 rpm	234 rpm	231 rpm	227 rpm	223 rpm	216 rpm
	39.63	1778	4115	6399	8921	11063	12647	15364
287 rpm		286 rpm	284 rpm	281 rpm	276 rpm	270 rpm	260 rpm	
46.23	1610	3947	6292	8824	10957	12444	15179	
	335 rpm	334 rpm	332 rpm	329 rpm	325 rpm	320 rpm	310 rpm	
52.83 Max Cont.	1424	3743	6868	8620	10780	12258	15019	
	384 rpm	383 rpm	381 rpm	378 rpm	374 rpm	366 rpm	354 rpm	
63.40 Max Int.	1062	3345	6390	8151	10373	11859	14603	
	461 rpm	459 rpm	457 rpm	454 rpm	450 rpm	444 rpm	432 rpm	

BMV 630		40.64 in ³ /rev (666 cm ³ /rev)					Max Cont.	Max Int.
Pressure (psi →)		507	870	1305	1740	2175	2610	3045
F L O W	(gpm ↓)	Torque (in•lbf) Speed Specification						
	2.64	2478	4620	7186	9735	11222	13709	15789
		14 rpm	13 rpm	13 rpm	12 rpm	12 rpm	11 rpm	10 rpm
	5.28	2549	4885	7425	9744	11638	14223	16497
		28 rpm	28 rpm	27 rpm	27 rpm	26 rpm	24 rpm	22 rpm
	13.21	2557	4912	7682	10063	12072	14886	17312
		72 rpm	72 rpm	71 rpm	69 rpm	68 rpm	66 rpm	62 rpm
	19.81	2389	4850	7638	9912	11966	14869	17382
		109 rpm	108 rpm	106 rpm	104 rpm	102 rpm	99 rpm	94 rpm
	26.42	2336	4761	7576	9585	11948	14816	17391
		146 rpm	145 rpm	143 rpm	141 rpm	138 rpm	135 rpm	130 rpm
	33.02	2221	4566	7408	9479	11824	14683	17258
		184 rpm	183 rpm	181 rpm	179 rpm	177 rpm	173 rpm	168 rpm
	39.63	2124	4381	7231	9408	11771	14603	17064
221 rpm		220 rpm	219 rpm	217 rpm	215 rpm	212 rpm	205 rpm	
46.23	1858	4292	7045	9310	11505	14479	16887	
	259 rpm	258 rpm	257 rpm	254 rpm	250 rpm	246 rpm	241 rpm	
52.83 Max Cont.	1610	4150	6646	9010	11328	14258	16665	
	297 rpm	297 rpm	295 rpm	293 rpm	290 rpm	284 rpm	273 rpm	
63.40 Max Int.	1150	3681	6301	8656	10948	13833	16241	
	358 rpm	357 rpm	355 rpm	351 rpm	346 rpm	340 rpm	332 rpm	

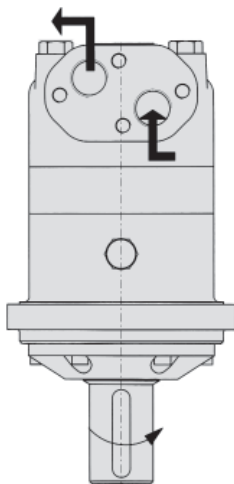
BMV 800		48.93 in ³ /rev (801 cm ³ /rev)					Max Cont.	Max Int.
Pressure (psi →)		262	725	1160	1450	1885	2320	2610
F L O W	(gpm ↓)	Torque (in•lbf) Speed Specification						
	2.64	2460	5000	7346	9691	12435	15152	16949
		11 rpm	10 rpm	10 rpm	9 rpm	8 rpm	8 rpm	7 rpm
	5.28	2495	5053	7478	10178	12886	15780	17648
		23 rpm	22 rpm	22 rpm	21 rpm	20 rpm	18 rpm	16 rpm
	13.21	2549	5151	7576	10284	12948	15842	17710
		60 rpm	59 rpm	57 rpm	56 rpm	54 rpm	52 rpm	48 rpm
	19.81	2380	5133	7567	10331	12966	15807	17639
		91 rpm	90 rpm	89 rpm	87 rpm	84 rpm	81 rpm	77 rpm
	26.42	2221	5009	7434	10089	12815	15639	17568
		122 rpm	121 rpm	120 rpm	118 rpm	115 rpm	111 rpm	105 rpm
	33.02	2141	4735	7293	9895	12630	15391	17489
		153 rpm	152 rpm	150 rpm	147 rpm	143 rpm	139 rpm	133 rpm
	39.63	2088	4655	7151	9753	12399	15170	17338
		185 rpm	183 rpm	181 rpm	178 rpm	174 rpm	169 rpm	163 rpm
	46.23	1902	4460	7018	9549	12187	15028	17135
216 rpm		214 rpm	212 rpm	209 rpm	206 rpm	203 rpm	196 rpm	
52.83 Max Cont.	1743	4142	6770	9408	12054	14878	16931	
	247 rpm	245 rpm	243 rpm	240 rpm	237 rpm	232 rpm	225 rpm	
63.40 Max Int.	1044	3434	6310	9027	11665	14488	16267	
	297 rpm	296 rpm	295 rpm	293 rpm	288 rpm	283 rpm	277 rpm	

BMV 1000		60.41 in ³ /rev (990 cm ³ /rev)					Max Cont.	Max Int.
Pressure (psi →)		262	725	1015	1450	2030	2320	
F L O W	(gpm ↓)	Torque (in•lbf) Speed Specification						
	2.64	2761	5664	8594	12391	17506	19993	
		9 rpm	9 rpm	9 rpm	8 rpm	7 rpm	6 rpm	
	5.28	2832	5735	8656	12479	17524	20091	
		28 rpm	27 rpm	26 rpm	25 rpm	23 rpm	21 rpm	
	13.21	2885	5797	8779	12585	17834	20179	
		47 rpm	46 rpm	45 rpm	43 rpm	41 rpm	38 rpm	
	19.81	2814	5682	8735	12612	17728	20144	
		72 rpm	71 rpm	70 rpm	68 rpm	66 rpm	63 rpm	
	26.42	2734	5611	8700	12550	17648	19852	
		98 rpm	97 rpm	95 rpm	93 rpm	90 rpm	86 rpm	
	33.02	2726	5522	8629	12470	17595	19684	
		123 rpm	122 rpm	120 rpm	117 rpm	114 rpm	110 rpm	
	39.63	2460	5328	8505	12107	17374	19542	
		149 rpm	148 rpm	146 rpm	144 rpm	140 rpm	133 rpm	
	46.23	2336	5133	8372	11842	17037	19108	
174 rpm		172 rpm	170 rpm	166 rpm	162 rpm	155 rpm		
52.83 Max Cont.	2035	4921	8071	11505	16789	18603		
	199 rpm	196 rpm	193 rpm	190 rpm	185 rpm	178 rpm		
63.40 Max Int.	1469	4540	7673	11470	16152	18002		
	240 rpm	237 rpm	233 rpm	229 rpm	225 rpm	218 rpm		

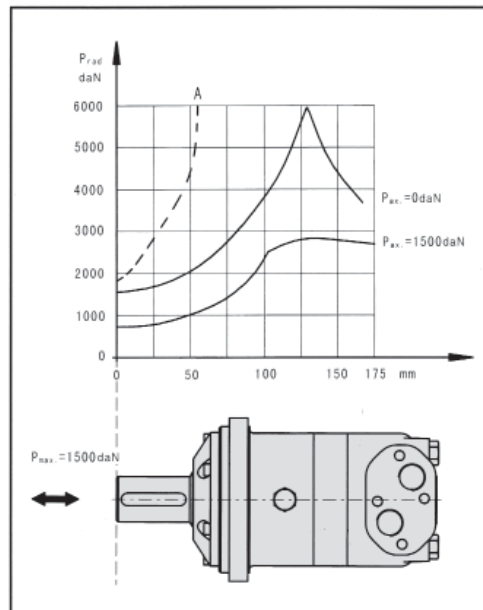
Shaft Seal Rated Pressure



Shaft Rotation Direction



Axial and Radial forces



The output shaft runs tapered bearings that permit high axial and radial forces, Curve "A" shows max radial shaft load, Any shaft loads exceeding the values quoted in the curve will involve risk of breakage. The two other curves apply to a B10 bearing life of 3000 hours at 200 rpm.



FLUID COMPONENTS, INC.

Hydraulic Motor Model BMK6

Crossover to Char-Lynn® 6000 Series



The BMK6 series motor adapts the advanced **ROLORTORC™** gear set design with **DISC** distribution flow and high pressure. These motors can be supplied with various options for multifunctional operations in accordance with the application requirements. The output shaft tapered roller bearings permit high axial and radial forces offering a smooth operation during low pressure start up and high pressure operation.

These low weight advanced construction design motors are manufactured in accordance with the requirements of the ISO 9000-2000 quality system.

Technical Specifications

MODEL		BMK6 200	BMK6 250	BMK6 315	BMK6 400	BMK6 500	BMK6 630	BMK6 800	BMK6 1000
Displacement <i>in³/rev (cm³/rev)</i>		11.93 (195.6)	15.01 (246.1)	19.01 (311.6)	23.87 (391.3)	29.95 (490.8)	38.01 (623)	48.96 (802.4)	59.90 (981.6)
Max Speed <i>rpm</i>	Cont	765	610	480	382	304	240	186	152
	Int.	865	830	690	570	455	360	280	230
Max Torque <i>in•lbf</i>	Cont	5000	6284	8142	10266	12789	13099	13984	14824
	Int.	7434	9558	11727	14382	16639	16726	16639	16462
Max Differential <i>psi</i>	Cont	2900	2900	2900	2900	2900	2538	2031	2031
	Int.	4351	4351	4351	4351	3988	3263	2538	2031
Max Flow <i>gpm</i>	Cont	39.62	39.62	39.62	39.62	39.62	39.62	39.62	39.62
	Int.	44.90	54.15	59.43	59.43	59.43	59.43	59.43	59.43
Weight		56 lbs	57 lbs	59 lbs	60 lbs	63 lbs	66 lbs	70 lbs	74 lbs

Continuous (Cont.) = maximum of continuous operation. Intermittent (Int.) = maximum operating range for 6 seconds per minute

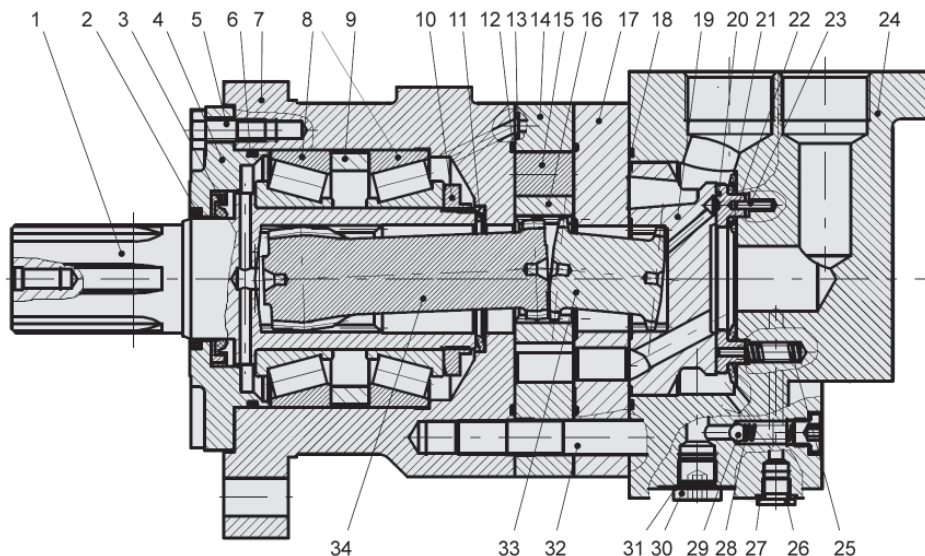


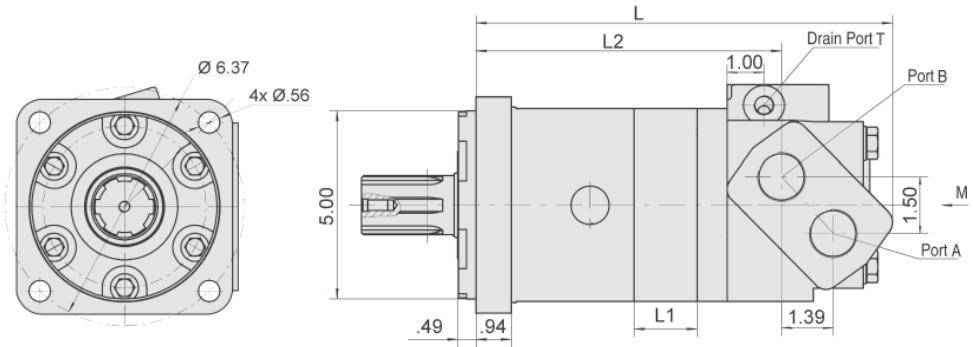
Diagram Key

- | | |
|---------------------|----------------------|
| 1 Output Shaft | 18 "O" Ring |
| 2 Dust Seal | 19 Distributor Plate |
| 3 Shaft Seal | 20 "O" Ring |
| 4 Front Cover | 21 Channel Plate |
| 5 Bolt | 22 Seal |
| 6 "O" Ring | 23 Seal |
| 7 Housing | 24 Pin |
| 8 Needle Bearing | 25 Spring |
| 9 Spacer Bushing | 26 Drain Plug |
| 10 Lock Nut | 27 "O" Ring |
| 11 Butterfly Washer | 28 Spring |
| 12 "O" Ring | 29 Ball |
| 13 Pin | 30 Drain Plug |
| 14 Stator | 31 Seal |
| 15 Roller | 32 Bolt |
| 16 Rotor | 33 Coupling |
| 17 Balance Plate | 34 Drive Link |

BMK6 Installation Data

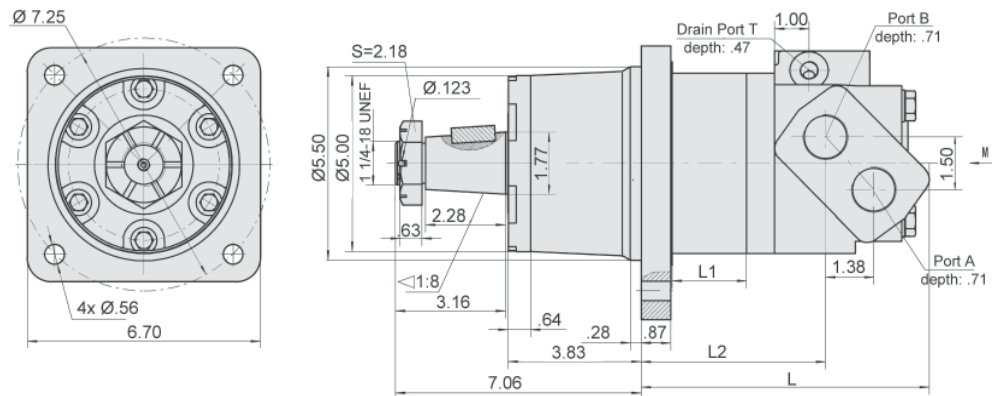
CC - SAE "CC" Mount

Motor Size	L	L1	L2
200	10.43"	.85"	7.38"
250	10.67"	1.07"	7.60"
315	10.94"	1.36"	7.87"
400	11.30"	1.71"	8.23"
500	11.73"	2.14"	8.70"
630	12.32"	2.72"	9.25"
800	13.11"	3.50"	10.03"
1000	13.89"	4.29"	10.81"



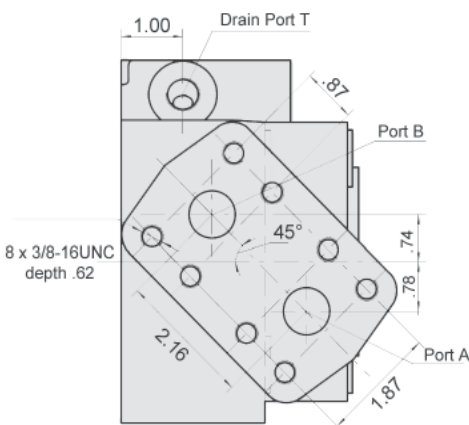
W - Wheel Mount

Motor Size	L	L1	L2
200	7.04"	0.85"	4.03"
250	7.28"	1.07"	4.25"
315	7.56"	1.36"	4.55"
400	7.91"	1.71"	4.90"
500	8.34"	2.14"	5.33"
630	8.92"	2.72"	5.91"
800	9.70"	3.50"	6.69"
1000	10.49"	4.29"	7.48"

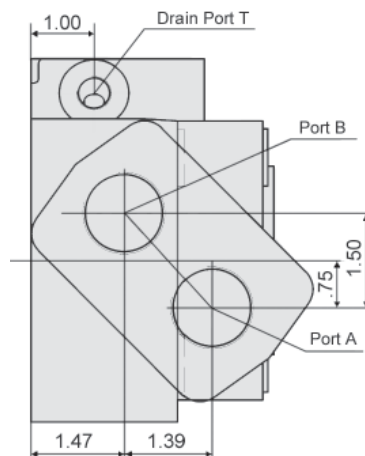


BMK6 Port Data

SF



SF5 & SF7

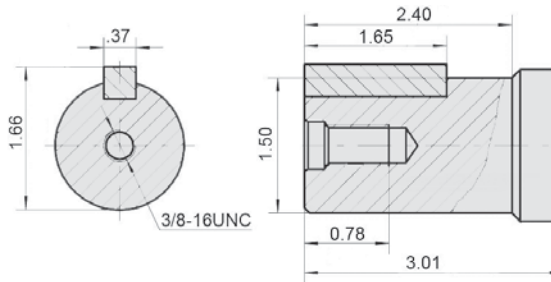


Port Sizes

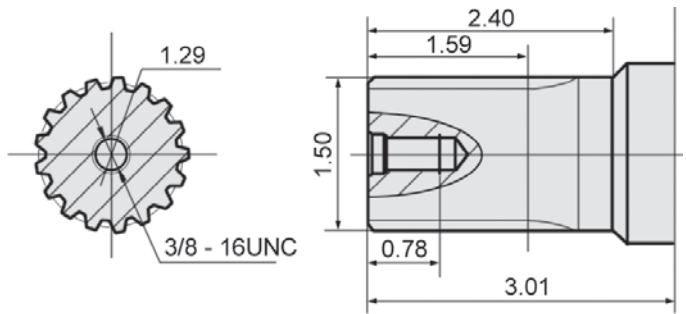
Model	P (A, B)	T
SF	3/4" Split	7/16-20 SAE
SF5	1 5/16-12 SAE	7/16-20 SAE
SF7	G1 (BSP)	G 1/4

BMK6 Drive Shaft Data

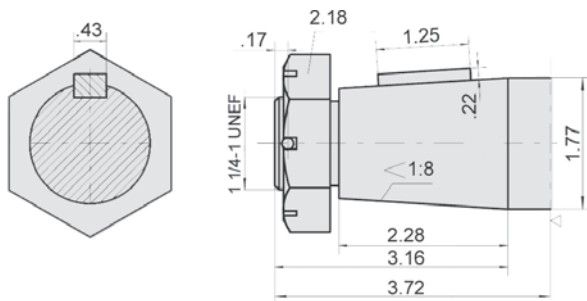
G2 - 1 1/2" Parallel Key



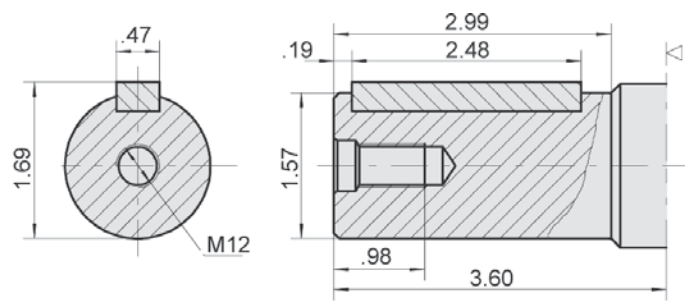
FE - 17-Tooth DP 12/24 Spline



T1 - 1 3/4" Tapered



Y1 - 40 mm Parallel Key



Ordering Example: **BMK6** - **250** - **CC** - **G2** - **SF5** -

Model	Frame Size	Mounting Flange	Drive Shaft**	Port Size	Rotation
BMK6	200 (11.93) 250 (15.01) 315 (19.01) 400 (23.87) 500 (29.95) 630 (38.01) 800 (48.96) 1000 (59.90)	CC = SAE "CC" W* = Wheel	G2 = 1 1/2" Parallel Key FE = 17-Tooth Spline T1* = 1 3/4" Tapered Y1* = 40mm Parallel Key	SF5 = 1 5/16-12 SAE SF* = 3/4" Split Flange SF7* = G1 (BSP) Staggered	Omit = Clockwise R = Counter-Clockwise <i>Note: Direction of rotation is indicated when "A" port is pressurized</i>

*Special Order
**Additional shaft options available. Please consult factory.

Seal kits for BMK6 motors are available for purchase. Order seal kit using item description: "BMK6 Seal Kit".

BMK6 200		11.93 in ³ /rev (195.6 cm ³ /rev)						Max Cont.	Max Int.	Peak	
Pressure (psi →)	254	508	1015	1523	2031	2538	2901	3481	3989	4351	
FLOW	(gpm ↓)	Torque (in•lbf) Speed Specification									
	0.52	265 9 rpm	646 7 rpm	1416 5 rpm							
	2.11	318 39 rpm	672 38 rpm	1486 35 rpm	2318 34 rpm	3053 31 rpm	3876 27 rpm	4115 16 rpm			
	3.96	318 75 rpm	716 75 rpm	1540 74 rpm	2389 71 rpm	3230 65 rpm	4027 60 rpm	4513 45 rpm	5133 32 rpm	5664 16 rpm	
	7.92	327 152 rpm	752 151 rpm	1548 147 rpm	2433 142 rpm	3274 132 rpm	4115 121 rpm	4779 109 rpm	5443 96 rpm	6195 80 rpm	6770 60 rpm
	11.88	327 228 rpm	752 227 rpm	1593 223 rpm	2478 218 rpm	3319 210 rpm	4159 200 rpm	4735 185 rpm	5752 165 rpm	6549 146 rpm	7124 110 rpm
	15.85	336 305 rpm	708 304 rpm	1575 302 rpm	2495 297 rpm	3365 288 rpm	4204 280 rpm	5000 255 rpm	5841 235 rpm	6638 210 rpm	7301 170 rpm
	19.81	283 382 rpm	690 380 rpm	1548 376 rpm	2433 370 rpm	3345 362 rpm	4248 350 rpm	5000 328 rpm	5929 300 rpm	6726 270 rpm	7434 230 rpm
	23.77	230 459 rpm	663 456 rpm	1522 452 rpm	2389 445 rpm	3319 436 rpm	4204 420 rpm	5000 405 rpm	5841 383 rpm	6770 355 rpm	
	27.73	194 536 rpm	619 534 rpm	1504 530 rpm	2389 523 rpm	3274 510 rpm	4159 496 rpm	4956 470 rpm	5841 435 rpm	6726 400 rpm	
	31.70	177 612 rpm	592 610 rpm	1469 605 rpm	2345 598 rpm	3230 585 rpm	4115 570 rpm	4956 536 rpm	5841 502 rpm	6682 485 rpm	
	35.66	123 690 rpm	575 687 rpm	1416 680 rpm	2301 672 rpm	3186 650 rpm	4115 638 rpm	4956 595 rpm	5797 550 rpm	6638 485 rpm	
	39.62 Max Cont.	88 765 rpm	531 765 rpm	1371 755 rpm	2285 740 rpm	3150 725 rpm	3982 700 rpm	4867 640 rpm	5752 580 rpm		
	44.90 Max Int.		531 865 rpm	1371 850 rpm	2256 840 rpm	3097 820 rpm	3982 800 rpm	4825 745 rpm	5664 700 rpm		

BMK6 250		15.01 in ³ /rev (246.1 cm ³ /rev)						Max Cont.	Max Int.	Peak	
Pressure (psi →)	254	508	1015	1523	2031	2538	2901	3481	3989	4351	
FLOW	(gpm ↓)	Torque (in•lbf) Speed Specification									
	0.52	407 7 rpm	814 4 rpm								
	2.11	451 31 rpm	911 30 rpm	1902 27 rpm	2964 24 rpm	3894 21 rpm	4867 15 rpm	4956 10 rpm			
	3.96	460 58 rpm	929 57 rpm	1947 55 rpm	3009 52 rpm	4027 46 rpm	5044 40 rpm	5664 37 rpm	6593 28 rpm	7523 10 rpm	8496 5 rpm
	7.92	486 118 rpm	973 116 rpm	2053 113 rpm	3115 110 rpm	4159 105 rpm	5310 96 rpm	6062 80 rpm	6992 64 rpm	7965 48 rpm	9027 35 rpm
	11.88	513 180 rpm	973 177 rpm	2079 174 rpm	3142 170 rpm	4204 164 rpm	5398 155 rpm	6239 140 rpm	7434 126 rpm	8319 106 rpm	9293 88 rpm
	15.85	469 242 rpm	973 240 rpm	2035 237 rpm	3097 233 rpm	4248 224 rpm	5443 212 rpm	6239 198 rpm	7478 180 rpm	8452 162 rpm	9558 140 rpm
	19.81	398 302 rpm	929 298 rpm	2035 292 rpm	3142 285 rpm	4292 278 rpm	5487 268 rpm	6284 254 rpm	7525 230 rpm	8496 206 rpm	9558 182 rpm
	23.77	398 364 rpm	929 360 rpm	1991 352 rpm	3097 342 rpm	4248 338 rpm	5443 322 rpm	6284 305 rpm	7478 288 rpm	8452 265 rpm	
	27.73	354 424 rpm	885 420 rpm	1947 414 rpm	3009 408 rpm	4204 394 rpm	5398 372 rpm	6239 352 rpm	7434 334 rpm	8408 315 rpm	
	31.70	336 485 rpm	840 479 rpm	1858 471 rpm	3009 463 rpm	4159 454 rpm	5221 442 rpm	6195 420 rpm	7346 385 rpm	8319 365 rpm	
	35.66	309 546 rpm	752 540 rpm	1814 532 rpm	2876 525 rpm	4071 516 rpm	5133 504 rpm	6107 478 rpm	7257 445 rpm		
	39.62 Max Cont.	265 608 rpm	708 605 rpm	1770 600 rpm	2832 592 rpm	3982 580 rpm	5044 566 rpm	6018 532 rpm	7213 496 rpm		
	44.90		575 686 rpm	1681 678 rpm	2787 665 rpm	3894 652 rpm	4956 635 rpm	5974 600 rpm	6638 565 rpm		
	48.87		1631 750 rpm	2743 746 rpm	3805 730 rpm	4823 708 rpm	5929 658 rpm				
	54.15 Max Int.		1548 830 rpm	2655 820 rpm	3699 800 rpm	4743 776 rpm	4974 735 rpm				

BMK6 315											
19.02 in ³ /rev (311.6 cm ³ /rev)											
Max Cont. Max Int. Peak											
Pressure (psi →)	254	508	1015	1523	2031	2538	2901	3481	3989	4351	
FLOW	(gpm ↓)	Torque (in·lbf) Speed Specification									
	0.52	575 5 rpm	1115 4 rpm								
	2.11	601 24 rpm	1144 23 rpm	2478 22 rpm	3628 20 rpm	4774 16 rpm	5752 13 rpm	6638 9 rpm	7788 3 rpm		
	3.96	619 46 rpm	1194 45 rpm	2522 44 rpm	3850 41 rpm	5000 36 rpm	6107 30 rpm	7169 22 rpm	8319 16 rpm	9160 9 rpm	9160 3 rpm
	7.92	619 93 rpm	1194 92 rpm	2610 90 rpm	3894 86 rpm	5310 80 rpm	6549 71 rpm	7788 62 rpm	8762 52 rpm	9735 43 rpm	10443 31 rpm
	11.88	619 142 rpm	1239 140 rpm	2655 138 rpm	4071 132 rpm	5398 127 rpm	6638 120 rpm	7965 118 rpm	9160 96 rpm	11031 85 rpm	11505 72 rpm
	15.85	619 190 rpm	1239 189 rpm	2653 186 rpm	4071 182 rpm	5443 176 rpm	6859 167 rpm	8142 154 rpm	9337 138 rpm	10620 124 rpm	11727 105 rpm
	19.81	575 238 rpm	1194 237 rpm	2610 235 rpm	4027 231 rpm	5443 225 rpm	6903 214 rpm	8742 200 rpm	9426 180 rpm	10735 160 rpm	
	23.77	531 285 rpm	1150 284 rpm	2566 280 rpm	3982 276 rpm	5443 270 rpm	6903 260 rpm	8142 245 rpm	9470 226 rpm	10797 210 rpm	
	27.73	442 335 rpm	1106 333 rpm	2478 330 rpm	3938 324 rpm	5354 316 rpm	6815 302 rpm	8098 290 rpm	9470 271 rpm	10665 248 rpm	
	31.70	398 384 rpm	1062 382 rpm	2478 380 rpm	3894 372 rpm	5310 364 rpm	6770 350 rpm	8054 338 rpm	9331 312 rpm		
	35.66	354 432 rpm	1017 428 rpm	2433 420 rpm	3850 412 rpm	5177 408 rpm	6726 391 rpm	7965 380 rpm	9293 350 rpm		
	39.62 Max Cont.	309 480 rpm	973 475 rpm	2384 462 rpm	3717 458 rpm	5044 450 rpm	6682 435 rpm	7788 420 rpm	9116 395 rpm		
	50.19		885 595 rpm	2168 580 rpm	3319 574 rpm	4602 560 rpm	6062 548 rpm	7257 530 rpm			
	59.43 Max Int.			1947 690 rpm	3097 683 rpm	4225 674 rpm	5669 652 rpm	6815 634 rpm			

BMK6 400											
23.87 in ³ /rev (391.3 cm ³ /rev)											
Max Cont. Max Int. Peak											
Pressure (psi →)	254	508	1015	1523	2031	2538	2901	3481	3989	4351	
FLOW	(gpm ↓)	Torque (in·lbf) Speed Specification									
	1.05	796 4 rpm	1522 2 rpm	3186 1 rpm							
	2.11	840 19 rpm	1593 18 rpm	3274 17 rpm	4912 16 rpm	6461 14 rpm	7832 12 rpm	9072 9 rpm	10576 4 rpm		
	3.96	840 37 rpm	1637 37 rpm	3319 36 rpm	4950 35 rpm	6549 33 rpm	8231 28 rpm	9470 22 rpm	11196 14 rpm	12214 5 rpm	14382 1 rpm
	7.92	867 75 rpm	1637 74 rpm	3363 73 rpm	5089 71 rpm	6726 68 rpm	8496 65 rpm	10045 55 rpm	11683 45 rpm	12877 31 rpm	14382 20 rpm
	11.88	840 114 rpm	1637 113 rpm	3407 111 rpm	5133 108 rpm	6770 105 rpm	8585 100 rpm	10134 90 rpm	11815 80 rpm	13541 72 rpm	
	15.85	796 152 rpm	1593 152 rpm	3363 150 rpm	5133 147 rpm	6815 142 rpm	8629 134 rpm	10222 126 rpm	11904 112 rpm		
	19.81	752 191 rpm	1593 191 rpm	3363 188 rpm	5133 186 rpm	6859 181 rpm	8673 172 rpm	10266 160 rpm	11992 148 rpm		
	23.77	708 230 rpm	1548 229 rpm	3319 227 rpm	5044 224 rpm	6770 220 rpm	8629 212 rpm	10222 200 rpm			
	27.73	619 268 rpm	1460 267 rpm	3186 265 rpm	4956 260 rpm	6726 254 rpm	8540 246 rpm	10178 232 rpm			
	31.70	575 306 rpm	1416 305 rpm	3142 303 rpm	4867 298 rpm	6593 290 rpm	8408 278 rpm	10089 262 rpm			
	35.66	486 345 rpm	1371 343 rpm	3009 337 rpm	4823 330 rpm	6505 322 rpm	8319 310 rpm	9912 295 rpm			
	39.62 Max Cont.	398 382 rpm	1283 380 rpm	2832 376 rpm	4690 370 rpm	6461 362 rpm	8186 352 rpm				
	50.19		1150 483 rpm	2655 476 rpm	4558 470 rpm	6461 458 rpm	8098 445 rpm				
	59.43 Max Int.			2522 570 rpm	4425 560 rpm	6284 550 rpm	7921 535 rpm				

BMK6 500		29.95 in³/rev (490.8 cm³/rev)					<i>Max Cont.</i>	<i>Max Int.</i>	<i>Peak</i>	
Pressure (psi →)	254	508	1015	1523	2031	2538	2901	3480	3988	
FLOW	(gpm ↓)	Torque (in·lbf) Speed Specification								
	1.05	1062	2035	4159	6062					
		7 rpm	6 rpm	5 rpm	3 rpm					
	2.11	1106	2124	4204	6239	8319	10311	12169		
		15 rpm	14 rpm	13 rpm	12 rpm	11 rpm	8 rpm	3 rpm		
	3.96	1106	2079	4248	6372	8496	10532	12391	14382	16639
		30 rpm	29 rpm	29 rpm	28 rpm	27 rpm	25 rpm	21 rpm	17 rpm	12 rpm
	7.92	1106	2079	4292	6505	8629	10753	12789	14913	
		60 rpm	59 rpm	58 rpm	57 rpm	54 rpm	50 rpm	45 rpm	35 rpm	
	11.88	1106	2079	4292	6505	8629	10753	12835		
		91 rpm	90 rpm	89 rpm	87 rpm	84 rpm	78 rpm	70 rpm		
	15.85	1062	2079	4248	6461	8629	10797	12922		
		121 rpm	121 rpm	120 rpm	118 rpm	114 rpm	108 rpm	98 rpm		
	19.81	973	1991	4159	6416	8585	10797			
		152 rpm	151 rpm	149 rpm	146 rpm	142 rpm	135 rpm			
	23.77	885	1947	4115	6372	8540	10753			
		182 rpm	182 rpm	180 rpm	178 rpm	175 rpm	168 rpm			
	27.73	840	1814	4071	6284	8496	10709			
213 rpm		212 rpm	210 rpm	206 rpm	201 rpm	195 rpm				
31.70	796	1725	3982	6195	8408	10665				
	244 rpm	243 rpm	240 rpm	235 rpm	228 rpm	221 rpm				
35.66	752	1548	3850	6018	8275	10355				
	274 rpm	273 rpm	270 rpm	265 rpm	258 rpm	250 rpm				
39.62 <i>Max Cont.</i>	619	1371	3717	5885	8142	10178				
	304 rpm	303 rpm	301 rpm	292 rpm	287 rpm	280 rpm				
50.19		1150	3186	5133	7655					
		385 rpm	382 rpm	373 rpm	365 rpm					
59.43 <i>Max Int.</i>			2832	4912	7080					
			455 rpm	440 rpm	432 rpm					

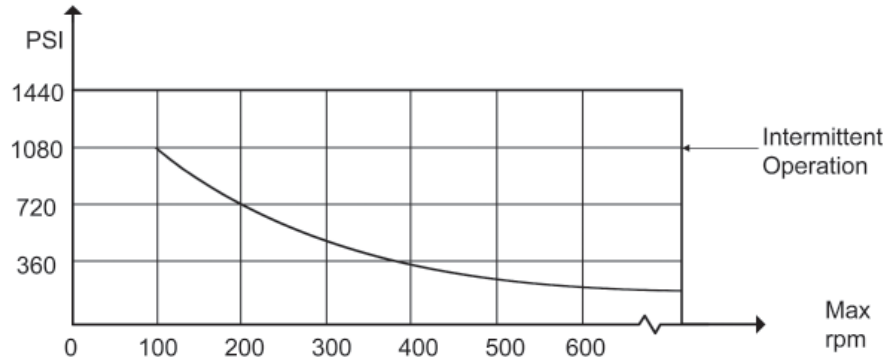
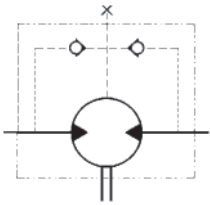
BMK6 630		38.01 in³/rev (623.0 cm³/rev)					<i>Max Cont.</i>	<i>Peak</i>	
Pressure (psi →)	254	508	1015	1523	2031	2538	2901	3263	
FLOW	(gpm ↓)	Torque (in·lbf) Speed Specification							
	1.05	1150	2168	4425	6638				
		6 rpm	5 rpm	4 rpm	2 rpm				
	2.11	1194	2345	4779	7124	9243			
		12 rpm	12 rpm	11 rpm	10 rpm	8 rpm			
	3.96	1239	2478	5177	7655	9603	12612		
		24 rpm	23 rpm	22 rpm	21 rpm	16 rpm	13 rpm		
	7.92	1283	2610	5354	8186	11240	13099	15754	16727
		48 rpm	47 rpm	45 rpm	42 rpm	38 rpm	34 rpm	30 rpm	27 rpm
	11.88	1283	2610	5398	8142	11771	12966	15665	
		72 rpm	71 rpm	70 rpm	68 rpm	65 rpm	58 rpm	50 rpm	
	15.85	1194	2522	5354	8098	11771	12966		
		95 rpm	94 rpm	91 rpm	87 rpm	83 rpm	78 rpm		
	19.81	1150	2453	5266	8098	11722			
		120 rpm	119 rpm	116 rpm	112 rpm	106 rpm			
	23.77	1017	2301	5177	8009	11594			
		145 rpm	144 rpm	141 rpm	137 rpm	130 rpm			
	27.73	885	2256	5089	7921	11550			
168 rpm		167 rpm	164 rpm	160 rpm	152 rpm				
31.70	752	2079	4956	7788	11328				
	192 rpm	191 rpm	186 rpm	182 rpm	175 rpm				
35.66	663	1947	4779	7567					
	216 rpm	215 rpm	212 rpm	207 rpm					
39.62 <i>Max Cont.</i>	442	1770	4646	7434					
	240 rpm	239 rpm	236 rpm	233 rpm					
50.19			4115	7036					
			300 rpm	293 rpm					
59.43 <i>Max Int.</i>			3805	6549					
			360 rpm	348 rpm					

BMK6 800		48.96 in³/rev (802.4 cm³/rev)						<i>Max Cont.</i>	<i>Max Int.</i>	<i>Peak</i>	
Pressure (psi →)	254	508	725	1015	1233	1523	1740	2031	2248	2538	
FLOW	(gpm ↓)	Torque (in·lbf) Speed Specification									
	1.05	1522	3053	4690	6107	7611					
		4 rpm	4 rpm	2 rpm	2 rpm	1 rpm					
	2.11	1593	3142	4779	6416	8452	9558	11284	12037		
		9 rpm	9 rpm	8 rpm	8 rpm	7 rpm	6 rpm	5 rpm	4 rpm		
	3.96	1637	3274	5000	6708	8673	10001	11196	12568	14647	16639
		18 rpm	18 rpm	17 rpm	17 rpm	16 rpm	15 rpm	14 rpm	12 rpm	10 rpm	9 rpm
	7.92	1681	3407	5221	7036	8894	10620	11771	13904	15400	
		36 rpm	35 rpm	34 rpm	33 rpm	32 rpm	31 rpm	29 rpm	28 rpm	26 rpm	
	11.88	1681	3407	5221	7880	8983	10620	12214	13718		
		55 rpm	55 rpm	54 rpm	53 rpm	52 rpm	52 rpm	50 rpm	48 rpm		
	15.85	1637	3363	5133	6992	8983	10620	11904			
		74 rpm	73 rpm	72 rpm	70 rpm	69 rpm	67 rpm	65 rpm			
	19.81	1557	3274	5089	6921	8850	10488	12081			
		92 rpm	92 rpm	91 rpm	88 rpm	87 rpm	85 rpm	82 rpm			
	23.77	1460	3186	4956	6770	8762	10355				
		112 rpm	111 rpm	110 rpm	108 rpm	106 rpm	102 rpm				
	27.73	1327	3009	4912	6638	8662	10222				
		130 rpm	129 rpm	128 rpm	127 rpm	125 rpm	120 rpm				
	31.70	1168	2816	4823	6505	8363	10001				
	149 rpm	148 rpm	146 rpm	143 rpm	140 rpm	135 rpm					
35.66	929	2672	4646	6254	8063						
	168 rpm	167 rpm	165 rpm	162 rpm	158 rpm						
39.62 <i>Max Cont.</i>	788	2389	4425	6018	7788						
	186 rpm	185 rpm	183 rpm	180 rpm	176 rpm						
50.19		2655	4204	5841	7567						
		235 rpm	233 rpm	230 rpm	226 rpm						
59.43 <i>Max Int.</i>			3743	5416	7346						
			280 rpm	276 rpm	272 rpm						

BMK6 1000		59.90 in³/rev (981.6 cm³/rev)						<i>Max Cont.</i>	
Pressure (psi →)	254	508	725	1015	1233	1523	1740	2031	
FLOW	(gpm ↓)	Torque (in·lbf) Speed Specification							
	1.05	1991	4071	5664	7744	9603			
		3 rpm	3 rpm	2 rpm	2 rpm	1 rpm			
	2.11	2035	4159	6151	8363	10355	12523	13807	14824
		7 rpm	7 rpm	6 rpm	6 rpm	5 rpm	4 rpm	3 rpm	2 rpm
	3.96	2124	4292	6328	8540	10620	12789	13984	15754
		15 rpm	15 rpm	15 rpm	14 rpm	14 rpm	13 rpm	13 rpm	12 rpm
	7.92	2124	4381	6372	8806	10930	13099	14515	16462
		30 rpm	30 rpm	30 rpm	29 rpm	28 rpm	27 rpm	25 rpm	23 rpm
	11.88	2124	4381	6372	8850	11063	13187	15046	
		45 rpm	45 rpm	44 rpm	44 rpm	43 rpm	42 rpm	40 rpm	
	15.85	2079	4336	6328	8762	11019	13276		
		60 rpm	60 rpm	60 rpm	59 rpm	57 rpm	55 rpm		
	19.81	1991	4204	6284	8673	10886	13143		
		76 rpm	76 rpm	76 rpm	75 rpm	73 rpm	70 rpm		
	23.77	1902	4071	6234	8496	10753	12966		
		91 rpm	91 rpm	91 rpm	90 rpm	88 rpm	85 rpm		
	27.73	1770	3938	6107	8319	10576	12745		
		106 rpm	106 rpm	105 rpm	105 rpm	103 rpm	100 rpm		
	31.70	1637	3717	5885	8142	10222			
	122 rpm	122 rpm	121 rpm	119 rpm	116 rpm				
35.66	1327	3451	5620	7877	9912				
	137 rpm	137 rpm	136 rpm	136 rpm	134 rpm				
39.62 <i>Max Cont.</i>	973	3186	5354	7611	9558				
	152 rpm	151 rpm	150 rpm	148 rpm	145 rpm				
50.19		2832	5089	7257	9249				
		192 rpm	190 rpm	188 rpm	185 rpm				
59.43 <i>Max Int.</i>			4558	7080	9027				
			230 rpm	228 rpm	224 rpm				

BMK6 Technical Data

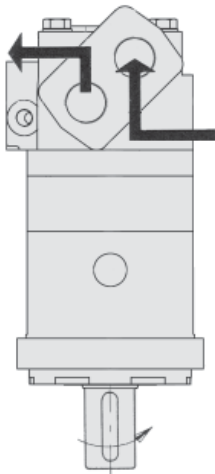
Shaft Seal Rated Pressure



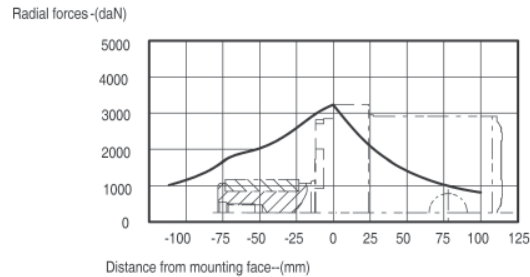
Case Drain

In applications without a motor drain line, the pressure exerted on the shaft seal is marginally in excess of the return line pressure. When the drain line is used the pressure exerted on the shaft seal is equal to the return line pressure.

Shaft Rotation Direction



BMK6 for CC Mounting Radial forces



The bearing curve represents allowable bearing loads for an B10 bearing life (2000 hours or 12x10⁶ revolutions at 100rpm) at rated output torque. Other speed load multiply a load values.

The maximum load curve is defined by bearing static load capacity.

This curve should not be exceeded at any time including shock loads.

DYNAMIC

FLUID COMPONENTS, INC.

Hydraulic Gear Motor Model GM-F10



The Model GM-F10 Gear Motor is constructed of an aluminum gear body and end plates and is available in 8 displacement sizes from 0.08 - 0.48 in³/rev. (1.3 - 8.0 cm³/rev). The standard mounting flange is a SAE AA - 2-bolt; standard ports are SAE-6 inlet and SAE-6 outlet; and the drive shaft is a 1/2" diameter straight shaft with 1/8" key.

Recommended working conditions:

FILTRATION: 25 micron or better
OIL TEMP: -25° - 80° C (-12° - 175° F)

OIL VISCOSITY: 6 - 200 cSt
AMBIENT -22° - 55° C (-8° - 130° F)

INLET PRESSURE: 12 - 32 psi absolute

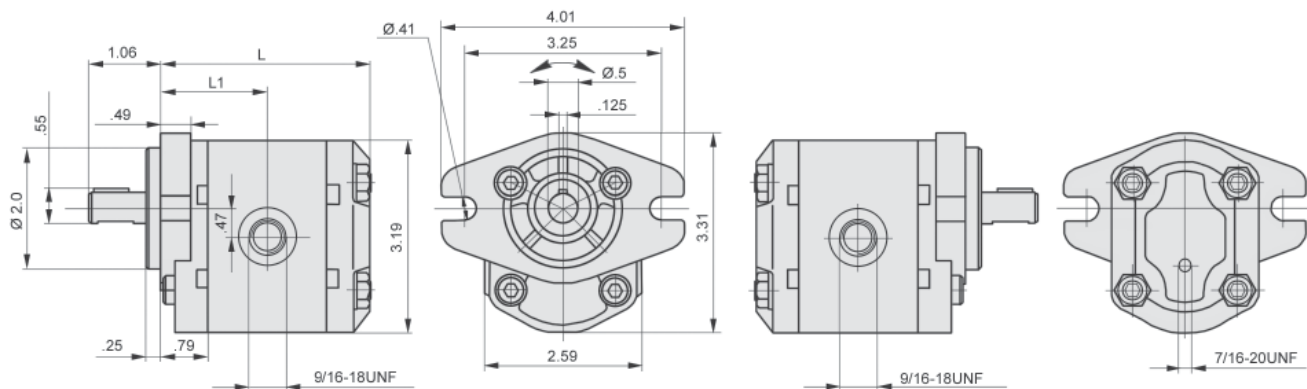
Technical Specifications

Model	Displacement in ³ (cm ³) / rev	Pressure psi	Speed - rpm		Weight lbs
			Rated	Max	
GM-F10-13	0.08 (1.3)	3625	2000	5000	6.02
GM-F10-20	0.12 (2.0)	3625	2000	5000	6.31
GM-F10-27	0.16 (2.7)	3625	2000	5000	6.68
GM-F10-34	0.20 (3.4)	3625	2000	5000	6.99
GM-F10-41	0.25 (4.1)	3625	2000	4000	7.34
GM-F10-51	0.31 (5.1)	3625	2000	4000	7.78
GM-F10-61	0.37 (6.1)	3625	2000	4000	8.18
GM-F10-80	0.48 (8.0)	3480	2000	4000	9.01

Installation Data

Model	L	L1	Ports	
			In	Out
GM-F10-13	3.23"	1.65"	SAE-6	SAE-6
GM-F10-20	3.30"	1.69"	SAE-6	SAE-6
GM-F10-27	3.39"	1.73"	SAE-6	SAE-6
GM-F10-34	3.46"	1.77"	SAE-6	SAE-6
GM-F10-41	3.54"	1.81"	SAE-6	SAE-6
GM-F10-51	3.66"	1.87"	SAE-6	SAE-6
GM-F10-61	3.78"	1.93"	SAE-6	SAE-6
GM-F10-80	3.97"	2.01"	SAE-6	SAE-6

Flow Rate (gpm) = Displacement (in³/rev) X Speed (rpm) / 231
Volumetric efficiency % ≥93



Ordering Example: **GM** - **F10** - **20** - **P** - **C**

Category

GM =
Gear Motor

Series

F10 =
F10 Series

Frame Size

13/20/27/34
41/51/61/80

Drive Shaft

P = 1/2" dia. Straight

Rotation

C = Clockwise
A = Counter-Clockwise
B = Bidirectional*
(viewed from shaft end)

*Special Order

Hydraulic Gear Motor Model GM-F20



The GM-F20 Gear Motor is constructed of an aluminum gear body and end plates and is available in 11 displacement sizes from 0.24 - 1.52 in³/rev (4 - 25 cm³/rev). The standard mounting flange is SAE "A" 2-bolt. The standard drive shaft is a 5/8" diameter straight shaft with a 5/32" key - other shaft options available as outlined in Ordering Example.

Recommended working conditions:

FILTRATION: 25 micron or better
OIL TEMP: -25° - 80° C (-12° - 175° F)

OIL VISCOSITY: 6 - 200 cSt
AMBIENT -22° - 55° C (-8° - 130° F)

INLET PRESSURE: 12 - 32 psi absolute

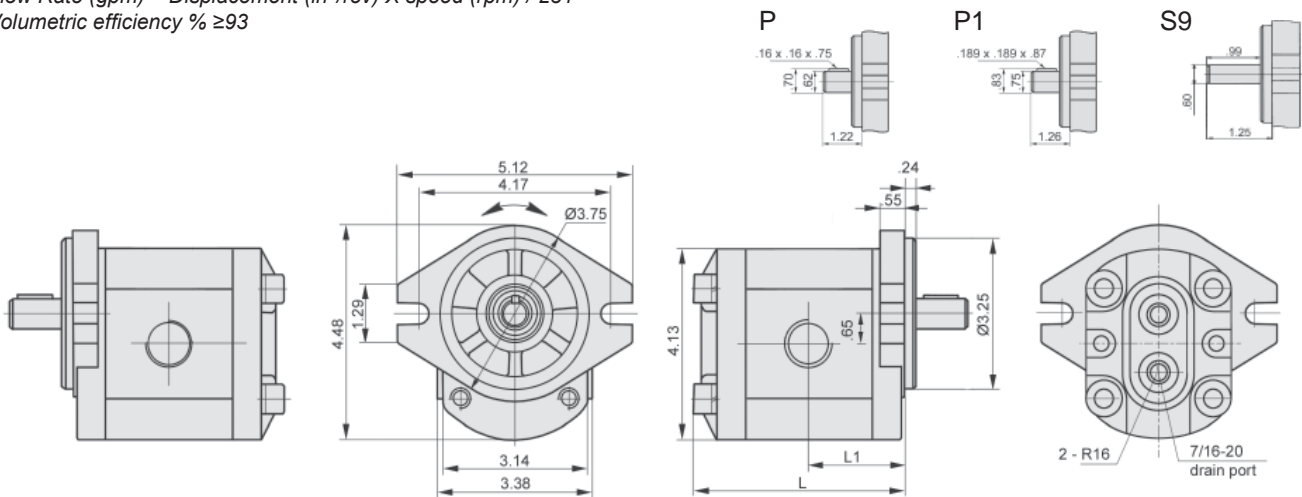
Technical Specifications

Model	Displacement in ³ (cm ³) / rev	Pressure - psi		Speed - rpm		
		Rated	Max	Rated	Max	Min
GM-F20-04	0.24 (4)	2900	3625	2000	4000	500
GM-F20-06	0.36 (6)	2900	3625	2000	4000	500
GM-F20-08	0.48 (8)	2900	3625	2000	3500	500
GM-F20-10	0.61 (10)	2900	3625	2000	3500	500
GM-F20-12	0.73 (12)	2900	3625	2000	3500	500
GM-F20-14	0.85 (14)	2900	3625	2000	3500	500
GM-F20-16	0.97 (16)	2900	3625	2000	3000	500
GM-F20-18	1.09 (18)	2900	3625	2000	3000	500
GM-F20-20	1.22 (20)	2900	3625	2000	3000	500
GM-F20-23	1.40 (23)	2900	3625	2000	3000	500
GM-F20-25	1.52 (25)	2900	3625	2000	3000	500

Installation Data

Model	L	L1	Ports	
			In	Out
GM-F20-04	3.70"	1.69"	SAE-12	SAE-12
GM-F20-06	3.87"	1.77"	SAE-12	SAE-12
GM-F20-08	3.95"	1.85"	SAE-12	SAE-12
GM-F20-10	4.12"	1.89"	SAE-12	SAE-12
GM-F20-12	4.25"	1.97"	SAE-12	SAE-12
GM-F20-14	4.35"	2.00"	SAE-12	SAE-12
GM-F20-16	4.50"	2.07"	SAE-12	SAE-12
GM-F20-18	4.60"	2.16"	SAE-12	SAE-12
GM-F20-20	4.72"	2.20"	SAE-12	SAE-12
GM-F20-23	4.84"	2.28"	SAE-12	SAE-12
GM-F20-25	5.05"	2.36"	SAE-16	SAE-16

Flow Rate (gpm) = Displacement (in³/rev) X speed (rpm) / 231
Volumetric efficiency % ≥93



Ordering Example: **GM** - **F20** - **16** - **P** - **A**

Category	Series	Frame Size	Drive Shaft	Rotation
GM = Gear Motor	F20 = F20 Series	04/06/08/10/12 14/16/18/20/23/25	P = 5/8" dia. Straight P1 = 3/4" dia. Straight S9 = SAE 9-tooth Spline	C = Clockwise A = Counter-Clockwise B = Bidirectional* (viewed from shaft end)

*Special Order

Appendix

TABLE OF CONTENTS

Reference Topic	Page #
Standard Gauges Increments and Faces	123-124
Ball Valve Parts Diagrams	125
Seal Information and Seal Kits	126
Special Order Motor Information	127
Crossover Reference Charts	
Prince (PTO Pumps)	127
Concentric / Haldex Barnes (2-stage Pumps)	127
Char-Lynn® (Motors)	128-130
White Drive Products (Motors)	131-134
Sauer Danfoss (Motors)	135-136
Motor Parts Assembly Diagrams	
BMM	137
BMPH	138-139
BMRS	140-141
BMSY	142-143
BMH	144-145
BMER	146-147
BMT	148-149
BMV	150-151
BMK6	152-153
Pump Parts Assembly Diagrams	
F10	154
F20	155
F25	156
CBN (080-160)	157
CBN (220-280)	158
PTO	159
Metric Conversions Tables	160
Dynamic Terms and Conditions	161

Standard Pressure Gauge Increments

Series: CDS, CF, CFC, PDLC

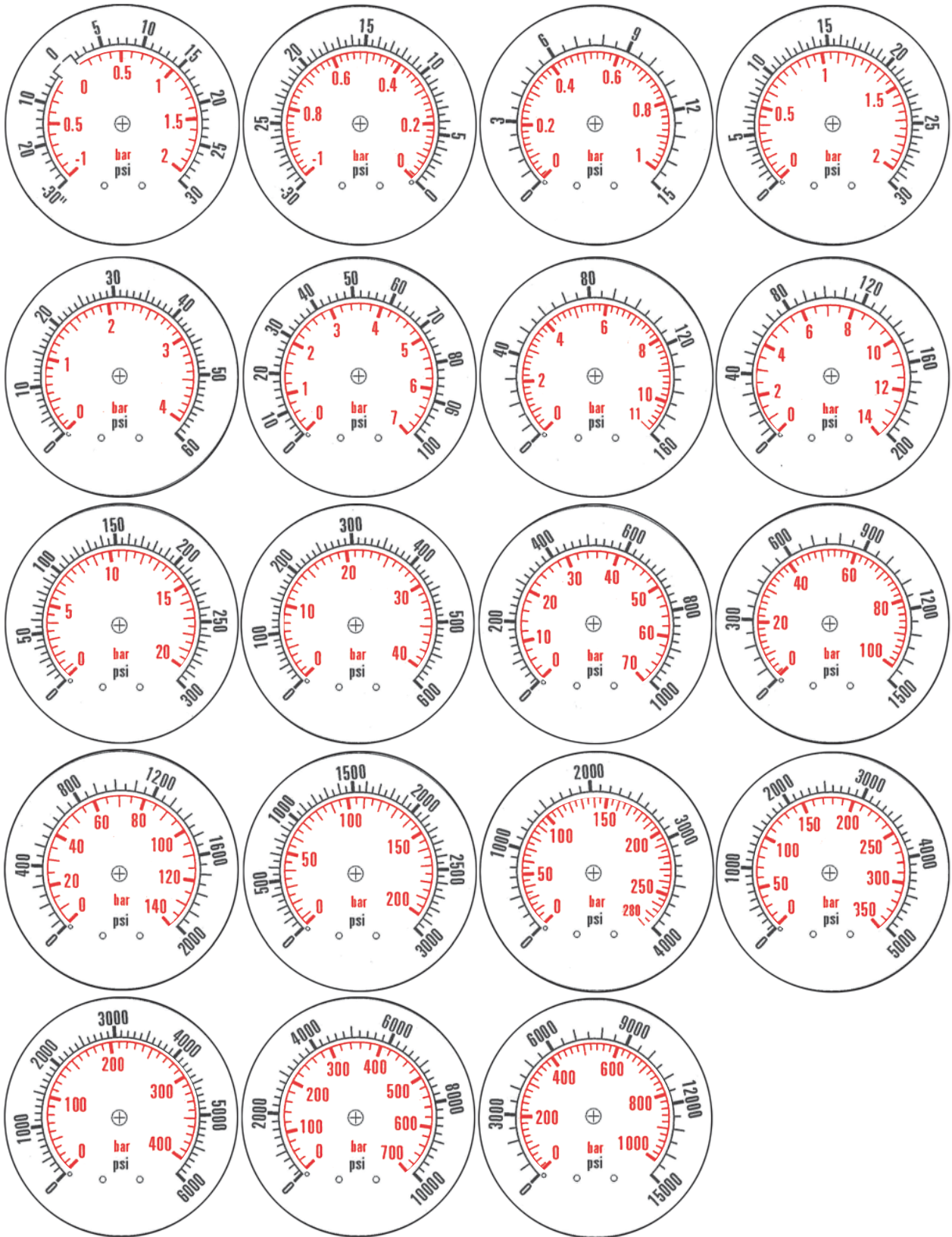
The chart below and images on the next page represent the standard gauge increments for 1 1/2", 2", 2 1/2" and 4" gauges for the CDS, CF, CFC and PDLC Series.

Order Code	Range	Figures	Increments
000 (Vacuum)	30" Hg - 0 psi	-5"	-.5"
002 (Compound)	30" Hg - 30 psi	-10" / 5 psi	-2" / 1 psi
001	0-15 psi	3 psi	.5 psi
002	0-30 psi	5 psi	.5 psi
004	0-60 psi	10 psi	1 psi
007	0-100 psi	10 psi	2 psi
010	0-160 psi	40 psi	5 psi
015	0-200 psi	40 psi	5 psi
020	0-300 psi	50 psi	5 psi
040	0-600 psi	100 psi	10 psi
070	0-1000 psi	200 psi	20 psi
100	0-1500 psi	300 psi	50 psi
140	0-2000 psi	400 psi	50 psi
210	0-3000 psi	500 psi	50 psi
280	0-4000 psi	1000 psi	100 psi
350	0-5000 psi	1000 psi	100 psi
420	0-6000 psi	1000 psi	100 psi
700	0-10000 psi	2000 psi	200 psi
800	0-15000 psi	3000 psi	500 psi

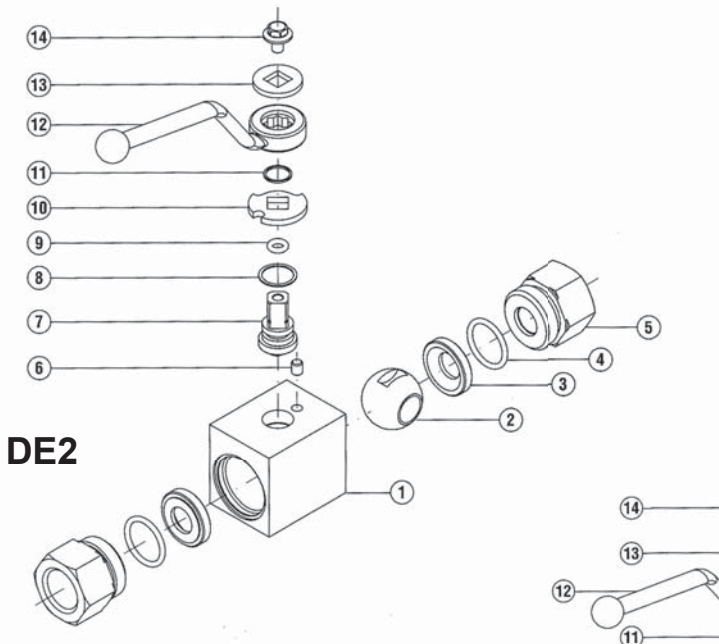
Custom Faces, Logos and Increments

Custom gauges are available with a minimum order (100 pieces for liquid-filled gauges; 250 pieces for dry gauges). Custom orders require a 14-16 week turnaround after artwork is approved. There is no additional cost for this service. For more information about custom and logo gauges, contact Dynamic at 800-988-1276.

Standard Pressure Gauge Faces (Series: CDS, CF, CFC, PDLC)



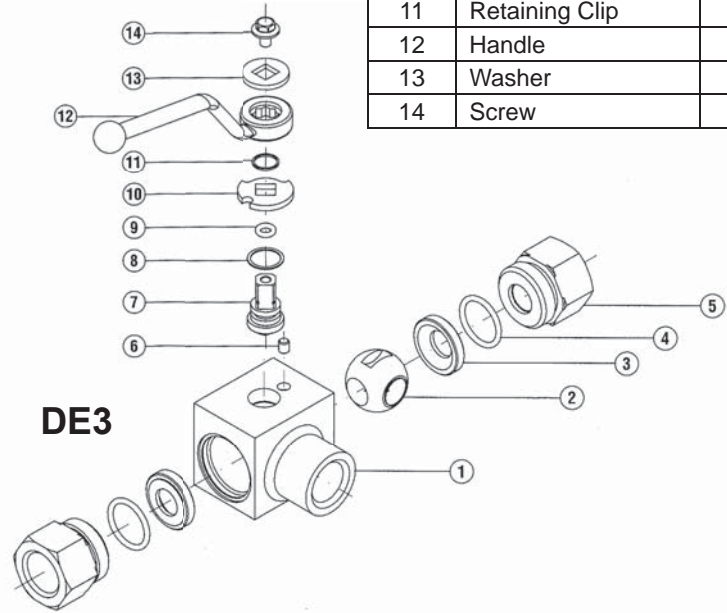
Ball Valves - Parts Assembly Diagrams



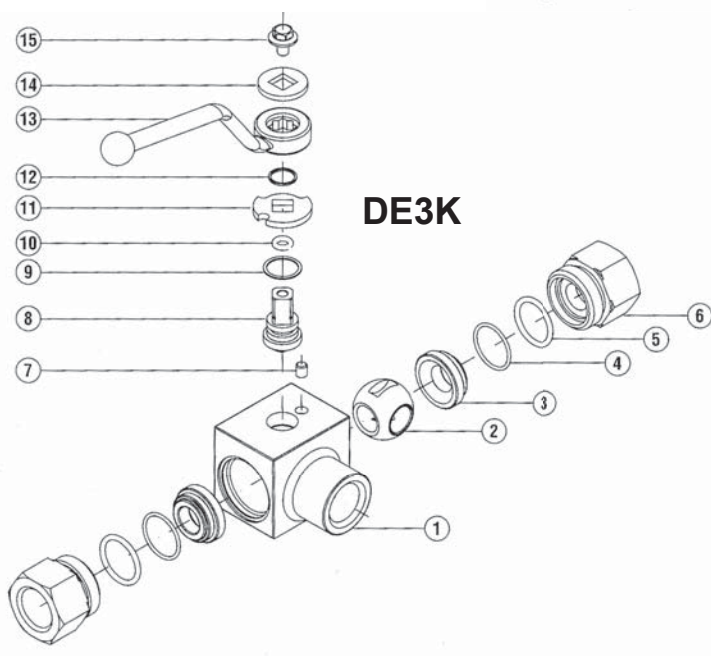
DE2

DE2/DE3 - Parts Listing

#	Part Description	Qty per Valve
1	Valve Body	1
2	Ball	1
3	POM* Ball Seat	2
4	O Ring - Buna-N*	2
5	Ports	2
6	Spine	1
7	Stem	1
8	Stem Seal	1
9	O Ring - Buna-N*	1
10	Washer	1
11	Retaining Clip	1
12	Handle	1
13	Washer	1
14	Screw	1



DE3



DE3K

DE3K - Parts Listing

#	Part Description	Qty per Valve
1	Valve Body	1
2	Ball	1
3	POM* Ball Seat	2
4	O Ring - Buna-N*	2
5	O Ring Adapter	2
6	Ports	2
7	Spine	1
8	Stem	1
9	Stem Seal	1
10	O Ring - Buna-N*	1
11	Washer	1
12	Retaining Clip	1
13	Handle	1
14	Washer	1
15	Screw	1

* Additional ball seat and o-ring options may be available by special order.

Seal Information

Working Temperatures for Seals

Seal Type	Minimum	Maximum
POM	-22°F	212°F
Buna-N	-22°F	212°F
Peek	-58°F	482°F
Viton	-13°F	392°F
EPDM	-58°F	302°F

Gear Pump Seal Kits

Pump Series	Shaft	Seal Type	Color	Item # / Description	Shaft Seal Dimensions (inner diameter / outer diameter / thickness)
GP-F10	P (1/2" Straight)	Buna-N	Black	GP-F10-P-SK-BN	14mm / 24mm / 7mm
		Viton	Green	GP-F10-P-SK-Viton	14mm / 24mm / 7mm
GP-F20	P (5/8" Straight) S9 (9-tooth Spline)	Buna-N	Black	GP-F20-P-SK-BN-SS-12T	18mm / 30mm / 10mm
		Viton	Green	GP-F20-P-SK-Viton-SS-12T	18mm / 30mm / 10mm
	P1 (3/4" Straight) S11 (11-tooth Spline)	Buna-N	Black	GP-F20-P1-SK-BN-SS-12T	19mm / 30mm / 7mm
		Viton	Green	GP-F20-P1-SK-Viton-SS-12T	19mm / 30mm / 7mm
GP-F25	P (7/8" Straight) S13 (13-tooth Spline)	EPDM	Black	GP-F20-P1-SK-EPDM-SS-12T	19mm / 30mm / 7mm
		Buna-N	Black	GP-F25-P-SK-BN	25mm / 38mm / 8mm
GP-CBN (080-160)	P (1/2" Straight)	Viton	Green	GP-F25-P-SK-Viton	25mm / 38mm / 8mm
		Buna-N	Black	GP-CBN-Buna Seal Kit for -080	12.7mm / 28mm / 6.7mm
GP-CBN (220-280)	P (5/8" Straight)	Viton	Green	GP-CBN-Viton Seal Kit for -080	12.7mm / 28mm / 6.7mm
		Buna-N	Black	GP-CBN-Buna Seal Kit for -220	16mm / 35mm / 7mm
GP-PTO (side ports)	-	Viton	Green	GP-CBN-Viton Seal Kit for -220	16mm / 35mm / 7mm
		Buna-N	Black	GP-PTO Seal Kit - SS	47.6mm / 67mm / 8mm
GP-PTO (rear ports)	-	Buna-N	Black	GP-PTO Seal Kit 9-21-R	47.6mm / 67mm / 8mm

*Additional seal options may be available. Consult factory for details.

Motor Seal Kits

Motor Series	Item # / Description
BMM	61300 / BMM Seal Kit
BMPH	64404 / BMPH Seal Kit - HP (3000 PSI)
BMRS	64410 / BMRS Seal Kit - HP (3000 PSI)
BMSY	61591 / BMSY Seal Kit - HP (3000 PSI)
BMH	61399 / BMH Seal Kit
BMER-1	64408 / BMER-1 Seal Kit
BMER-2	64414 / BMER-2 Seal Kit
BMT	61231 / BMT Seal Kit
BMV	61575 / BMV Seal Kit
BMK6	61800 / BMK6 Seal Kit

*Higher pressure seal kits may be available on some models. Consult factory.

Special Order Motor Options

Free Running Option

A free running option is available by special order for all of Dynamic's Rotortorc™ and Rolortorc™ hydraulic motors. This feature increases the clearance between the star and outer ring, allowing the motor to turn more freely with less mechanical drag. The increased clearance also improves lubrication across the wear surfaces of the gerotor star and outer ring and provides a greater pressure-relieving flow path reducing pressure spikes. With this feature, the volumetric efficiency of the motor is reduced. Available by special order only. Longer lead times may apply. Consult factory for information.

Private Label/Tag

Customized private labels/tags may be applied to motors. Minimum quantity is required. Longer lead times may apply. Consult factory for information.

Unpainted Motors

Standard Dynamic motors are painted black. Unpainted motors are available by special order. Longer lead times may apply. Consult factory for information.

Nickle Plated Drive Shafts

Nickle-plated drive shafts are available by special order. Longer lead times may apply. Consult factory for information.

Pump Crossover Reference

PTO Gear Pumps

PRINCE Model #	Prince Disp.	DYNAMIC Model #	Dynamic Disp.	Porting	Inlet	Outlet	Drive Shaft Required
HC-PTO-7A	3.6 in ³ /rev	GP-PTO-A-3-6-S	3.41 in ³ /rev	Side	SAE-16	SAE-12	1 3/8" dia. 6-Tooth Spline
HC-PTO-8A	3.6 in ³ /rev	GP-PTO-A-3-21-S*	3.41 in ³ /rev	Side	SAE-16	SAE-12	1 3/8" dia. 21-Tooth Spline
HC-PTO-2A	5.7 in ³ /rev	GP-PTO-A-5-6-S	5.50 in ³ /rev	Side	SAE-16	SAE-12	1 3/8" dia. 6-Tooth Spline
HC-PTO-3A	5.7 in ³ /rev	GP-PTO-A-5-21-S*	5.50 in ³ /rev	Side	SAE-16	SAE-12	1 3/8" dia. 21-Tooth Spline
HC-PTO-9A	7.8 in ³ /rev	GP-PTO-A-7-6-S	7.62 in ³ /rev	Side	SAE-16	SAE-12	1 3/8" dia. 6-Tooth Spline
HC-PTO-1A	9.9 in ³ /rev	GP-PTO-A-9-6-S	9.76 in ³ /rev	Side	SAE-16	SAE-12	1 3/8" dia. 6-Tooth Spline
HC-P-K11	9.9 in ³ /rev	GP-PTO-A-9-21-R	9.76 in ³ /rev	Rear	SAE-20	SAE-16	1 3/8" dia. 21-Tooth Spline

**Available by special order*

HI LO Dual Stage Gear Pumps

CONCENTRIC (Haldex Barnes) Model #s	DYNAMIC Model #	Flow at 3600 rpm	Mount	Inlet	Outlet	Shaft
1300159 1002508	GP-CBN-110-P-C	11.0 gpm	4-Bolt	1" Inlet Tube	1/2" NPTF	1/2" dia. Woodruff Key
1300486 1003754	GP-CBN-130-P-C	13.0 gpm	4-Bolt	1" Inlet Tube	1/2" NPTF	1/2" dia. Woodruff Key
1300487 1002509	GP-CBN-160-P-C	16.0 gpm	4-Bolt	1" Inlet Tube	1/2" NPTF	1/2" dia. Woodruff Key
1300488 1080085	GP-CBN-220-P-C	22.0 gpm	SAE A 2-Bolt	1" NPTF	3/4" NPTF	5/8" dia. Keyed Shaft
1300489 1080086	GP-CBN-280-P-C	28.0 gpm	SAE A 2-Bolt	1" NPTF	3/4" NPTF	5/8" dia. Keyed Shaft

Crossover Reference - Char-Lynn® Motors

129-XXXX (J Series)

Char-Lynn® Model #	Dynamic Model #
129-0291	BMM-8-U-B-1U
129-0292	BMM-12.5-U-B-1U
129-0293	BMM-20-U-B-1U
129-0294	BMM-32-U-B-1U
129-0458	BMM-50-U-B-1U
129-0339	BMM-8-U-B-U
129-0340	BMM-12.5-U-B-U
129-0341	BMM-20-U-B-U
129-0342	BMM-32-U-B-U
129-0470	BMM-50-U-B-U

130-XXXX (A Series)

Char-Lynn® Model #	Dynamic Model #
130-1001	BMPH-50 H4-K-P
130-1003	BMPH-100 H4-K-P
130-1005	BMPH-50 H4-K-S
130-1006	BMPH-80 H4-K-S
130-1008	BMPH-160 H4-K-S
130-1010	BMPH-80 H2-K-P
130-1011	BMPH-100 H2-K-P
130-1013	BMPH-50 H2-K-S
130-1017	BMPH-400 H2-K-F
130-1018	BMPH-80 H4-S-P
130-1019	BMPH-100 H4-S-P
130-1020	BMPH-160 H4-S-P
130-1021	BMPH-50 H4-S-S
130-1022	BMPH-80 H4-S-S
130-1023	BMPH-100 H4-S-S
130-1024	BMPH-160 H4-S-S
130-1025	BMPH-50 H2-S-P
130-1026	BMPH-80 H2-S-P
130-1027	BMPH-100 H2-S-P
130-1028	BMPH-160 H2-S-P
130-1029	BMPH-50 H2-S-S
130-1030	BMPH-80 H2-S-S
130-1031	BMPH-100 H2-S-S
130-1032	BMPH-160 H2-S-S
130-1077	BMPH-50 H4-H-P
130-1078	BMPH-50 H2-H-F
130-1079	BMPH-50 H4-H-F
130-1080	BMPH-80 H4-H-F
130-1085	BMPH-80 H4-K-F
130-1087	BMPH-160 H2-K-F
130-1090	BMPH-80 H4-H-P
130-1091	BMPH-400 H4-S-P
130-1092	BMPH-50 H2-K-F
130-1119	BMPH-400 H4-K-S
130-1122	BMPH-400 H4-S-S
130-1145	BMPH-50 H2-K-S
130-1146	BMPH-125 H2-K-S

Char-Lynn® Model #	Dynamic Model #
130-1147	BMPH-160 H2-K-S
130-1148	BMPH-250 H2-K-S
130-1149	BMPH-315 H2-K-S
130-1151	BMPH-50 H2-K-P
130-1152	BMPH-125 H2-K-P
130-1153	BMPH-160 H2-K-P
130-1154	BMPH-250 H2-K-P
130-1155	BMPH-315 H2-K-P
130-1164	BMPH-50 H2-S-S
130-1165	BMPH-125 H2-S-S
130-1166	BMPH-160 H2-S-S
130-1167	BMPH-200 H2-S-S
130-1169	BMPH-315 H2-S-S
130-1171	BMPH-50 H2-S-P
130-1172	BMPH-125 H2-S-P
130-1173	BMPH-160 H2-S-P
130-1174	BMPH-200 H2-S-P
130-1175	BMPH-250 H2-S-P
130-1176	BMPH-315 H2-S-P
130-1206	BMPH-50 H4-K-S
130-1207	BMPH-125 H4-K-S
130-1208	BMPH-160 H4-K-S
130-1209	BMPH-200 H4-K-S
130-1210	BMPH-250 H4-K-S
130-1213	BMPH-50 H5-K-P
130-1214	BMPH-125 H4-K-P
130-1215	BMPH-160 H4-K-P
130-1217	BMPH-250 H4-K-P
130-1218	BMPH-315 H4-K-P
130-1227	BMPH-50 H4-S-S
130-1228	BMPH-125 H4-S-S
130-1229	BMPH-160 H4-S-S
130-1230	BMPH-200 H4-S-S
130-1231	BMPH-250 H4-S-S
130-1232	BMPH-315 H4-S-S
130-1234	BMPH-50 H4-S-F
130-1235	BMPH-125 H4-S-P
130-1236	BMPH-160 H4-S-P
130-1237	BMPH-200 H4-S-P
130-1238	BMPH-250 H4-S-P
130-1239	BMPH-315 H4-S-P
130-1250	BMPH-200 H4-K-F
130-1251	BMPH-250 H4-K-F
130-1258	BMPH-80 H2-S-F
130-1259	BMPH-100 H2-S-F
130-1283	BMPH-100 H4-H-P
130-1287	BMPH-315 H2-K-F
130-1296	BMPH-50 H4-H-S
130-1317	BMPH-315 H4-S-F
130-1323	BMPH-80 H2-S-S
130-1324	BMPH-100 H2-S-S
130-1327	BMPH-100 H4-K-F

Char-Lynn® Model #	Dynamic Model #
130-1365	BMPH-400 H2-K-S
130-1381	BMPH-160 H2-H-S
130-1398	BMPH-80 H2-K-F
130-1399	BMPH-100 H2-K-F
130-1400	BMPH-125 H2-K-F
130-1401	BMPH-125 H4-K-F
130-1405	BMPH-50 H4-K-F
130-1406	BMPH-50 H2-S-F
130-1412	BMPH-100 H4-H-F

101-XXXX (H Series)

Char-Lynn® Model #	Dynamic Model #
101-1001	BMPH-50 H4-K-P
101-1002	BMPH-80 H4-K-P
101-1003	BMPH-100 H4-K-P
101-1004	BMPH-160 H4-K-P
101-1005	BMPH-200 H4-K-P
101-1006	BMPH-250 H4-K-P
101-1007	BMPH-315 H4-K-P
101-1008	BMPH-400 H4-K-P
101-1009	BMPH-50 H4-K-S
101-1010	BMPH-80 H4-K-S
101-1011	BMPH-100 H4-K-S
101-1012	BMPH-160 H4-K-S
101-1013	BMPH-200 H4-K-S
101-1014	BMPH-250 H4-K-S
101-1015	BMPH-315 H4-K-S
101-1016	BMPH-400 H4-K-S
101-1017	BMPH-50 H4-K-F
101-1018	BMPH-80 H4-K-F
101-1019	BMPH-100 H4-K-F
101-1020	BMPH-160 H4-K-F
101-1021	BMPH-200 H4-K-F
101-1022	BMPH-250 H4-K-F
101-1023	BMPH-315 H4-K-F
101-1024	BMPH-400 H4-K-F
101-1025	BMPH-50 H2-K-P
101-1026	BMPH-80 H2-K-P
101-1027	BMPH-100 H2-K-P
101-1028	BMPH-160 H2-K-P
101-1029	BMPH-200 H2-K-P
101-1030	BMPH-250 H2-K-P
101-1031	BMPH-315 H2-K-P
101-1032	BMPH-400 H2-K-P
101-1033	BMPH-50 H2-K-S
101-1034	BMPH-80 H2-K-S
101-1035	BMPH-100 H2-K-S
101-1036	BMPH-160 H2-K-S
101-1037	BMPH-200 H2-K-S
101-1038	BMPH-250 H2-K-S
101-1039	BMPH-315 H2-K-S

Char-Lynn® Model #	Dynamic Model #
101-1040	BMPH-400 H2-K-S
101-1041	BMPH-50 H2-K-F
101-1042	BMPH-80 H2-K-F
101-1043	BMPH-100 H2-K-F
101-1044	BMPH-160 H2-K-F
101-1045	BMPH-200 H2-K-F
101-1046	BMPH-250 H2-K-F
101-1047	BMPH-315 H2-K-F
101-1048	BMPH-400 H2-K-F
101-1049	BMPH-50 H4-S-P
101-1050	BMPH-80 H4-S-P
101-1051	BMPH-100 H4-S-P
101-1052	BMPH-160 H4-S-P
101-1053	BMPH-200 H4-S-P
101-1054	BMPH-250 H4-S-P
101-1055	BMPH-315 H4-S-P
101-1056	BMPH-400 H4-S-P
101-1057	BMPH-50 H4-S-S
101-1058	BMPH-80 H4-S-S
101-1059	BMPH-100 H4-S-S
101-1060	BMPH-160 H4-S-S
101-1061	BMPH-200 H4-S-S
101-1062	BMPH-250 H4-S-S
101-1063	BMPH-315 H4-S-S
101-1064	BMPH-400 H4-S-S
101-1065	BMPH-50 H4-S-F
101-1066	BMPH-80 H4-S-F
101-1067	BMPH-100 H4-S-F
101-1068	BMPH-160 H4-S-F
101-1069	BMPH-200 H4-S-F
101-1070	BMPH-250 H4-S-F
101-1071	BMPH-315 H4-S-F
101-1072	BMPH-400 H4-S-F
101-1073	BMPH-50 H2-S-P
101-1074	BMPH-80 H2-S-P
101-1075	BMPH-100 H2-S-P
101-1076	BMPH-160 H2-S-P
101-1077	BMPH-200 H2-S-P
101-1078	BMPH-250 H2-S-P
101-1079	BMPH-315 H2-S-P
101-1080	BMPH-400 H2-S-P
101-1081	BMPH-50 H2-S-S
101-1082	BMPH-80 H2-S-S
101-1083	BMPH-100 H2-S-S
101-1084	BMPH-160 H2-S-S
101-1085	BMPH-200 H2-S-S
101-1086	BMPH-250 H2-S-S
101-1087	BMPH-315 H2-S-S
101-1088	BMPH-400 H2-S-S
101-1089	BMPH-50 H2-S-F
101-1090	BMPH-80 H2-S-F
101-1091	BMPH-100 H2-S-F

Crossover Reference - Char-Lynn® Motors

101-XXXX (H Series)

Char-Lynn Model #	Dynamic Model #
101-1092	BMPH-160 H2-S-F
101-1093	BMPH-200 H2-S-F
101-1094	BMPH-250 H2-S-F
101-1095	BMPH-315 H2-S-F
101-1096	BMPH-400 H2-S-F
101-1305	BMPH-50 H4-H-F
101-1306	BMPH-80 H4-H-F
101-1307	BMPH-100 H4-H-F
101-1311	BMPH-50 H4-H-S
101-1312	BMPH-80 H4-H-P
101-1313	BMPH-50 H4-H-P
101-1314	BMPH-100 H4-H-P
101-1315	BMPH-160 H4-H-P
101-1319	BMPH-50 H2-H-P
101-1320	BMPH-80 H2-H-P
101-1323	BMPH-50 H2-H-S
101-1324	BMPH-80 H2-H-S
101-1325	BMPH-100 H2-H-S
101-1326	BMPH-160 H2-H-S
101-1463	BMPH-50 H2-H-F
101-1701	BMPH-50 H2-K-S
101-1702	BMPH-125 H2-K-S
101-1703	BMPH-160 H2-K-S
101-1705	BMPH-50 H2-K-P
101-1706	BMPH-125 H2-K-P
101-1707	BMPH-160 H2-K-P
101-1709	BMPH-50 H2-K-F
101-1710	BMPH-125 H2-K-F
101-1711	BMPH-160 H2-K-F
101-1722	BMPH-50 H2-S-S
101-1723	BMPH-125 H2-S-S
101-1724	BMPH-160 H2-S-S
101-1726	BMPH-50 H2-S-P
101-1727	BMPH-125 H2-S-P
101-1728	BMPH-160 H2-S-P
101-1730	BMPH-50 H2-S-F
101-1731	BMPH-125 H2-S-F
101-1732	BMPH-160 H2-S-F
101-1750	BMPH-50 H4-K-S
101-1751	BMPH-125 H4-K-S
101-1752	BMPH-160 H4-K-S
101-1754	BMPH-50 H5-K-P
101-1755	BMPH-125 H4-K-P
101-1756	BMPH-160 H4-K-P
101-1758	BMPH-50 H4-K-F
101-1759	BMPH-125 H4-K-F
101-1760	BMPH-160 H4-K-F
101-1762	BMPH-50 H4-S-S
101-1763	BMPH-160 H4-S-S
101-1765	BMPH-50 H4-S-F
101-1766	BMPH-125 H4-S-P

Char-Lynn Model #	Dynamic Model #
101-1767	BMPH-160 H4-S-P
101-1769	BMPH-50 H4-S-F
101-1770	BMPH-125 H4-S-F
101-1771	BMPH-160 H4-S-F
101-1872	BMPH-125 H4-S-S
101-1820	BMPH-50 H2-H-S
101-1821	BMPH-125 H2-H-S
101-1822	BMPH-160 H2-H-S
101-1824	BMPH-50 H2-H-P
101-1825	BMPH-100 H2-H-P
101-1826	BMPH-125 H2-H-P
101-1827	BMPH-160 H2-H-P
101-1828	BMPH-160 H2-H-P
101-1830	BMPH-50 H2-H-F
101-1831	BMPH-80 H2-H-F
101-1832	BMPH-100 H2-H-F
101-1833	BMPH-125 H2-H-F
101-1834	BMPH-160 H2-H-F
101-1855	BMPH-50 H4-H-S
101-1856	BMPH-80 H4-H-S
101-1857	BMPH-100 H4-H-S
101-1858	BMPH-125 H4-H-S
101-1859	BMPH-160 H4-H-S
101-1860	BMPH-160 H4-H-S
101-1862	BMPH-50 H4-H-P
101-1863	BMPH-125 H4-H-P
101-1864	BMPH-160 H4-H-P
101-1866	BMPH-50 H4-H-F
101-1867	BMPH-125 H4-H-F
101-1868	BMPH-160 H4-H-F
101-1869	BMPH-160 H4-H-F
101-1871	BMPH-160 H2-H-F

103-XXXX (S Series)

Char-Lynn Model #	Dynamic Model #
103-1002	BMRS-80 H4-K-P
103-1003	BMRS-100 H4-K-P
103-1004	BMRS-160 H4-K-P
103-1005	BMRS-200 H4-K-P
103-1006	BMRS-250 H4-K-P
103-1007	BMRS-315 H4-K-P
103-1008	BMRS-375 H4-K-P
103-1010	BMRS-80 H4-K-S
103-1011	BMRS-100 H4-K-S
103-1012	BMRS-160 H4-K-S
103-1013	BMRS-200 H4-K-S
103-1014	BMRS-250 H4-K-S
103-1015	BMRS-315 H4-K-S
103-1016	BMRS-375 H4-K-S
103-1018	BMRS-80 H4-K-F
103-1019	BMRS-100 H4-K-F

Char-Lynn Model #	Dynamic Model #
103-1020	BMRS-160 H4-K-F
103-1021	BMRS-200 H4-K-F
103-1022	BMRS-250 H4-K-F
103-1023	BMRS-315 H4-K-F
103-1024	BMRS-375 H4-K-F
103-1026	BMRS-80 H2-K-P
103-1027	BMRS-100 H2-K-P
103-1028	BMRS-160 H2-K-P
103-1029	BMRS-200 H2-K-P
103-1030	BMRS-250 H2-K-P
103-1031	BMRS-315 H2-K-P
103-1032	BMRS-375 H2-K-P
103-1034	BMRS-80 H2-K-S
103-1035	BMRS-100 H2-K-S
103-1036	BMRS-160 H2-K-S
103-1037	BMRS-200 H2-K-S
103-1038	BMRS-250 H2-K-S
103-1039	BMRS-315 H2-K-S
103-1040	BMRS-375 H2-K-S
103-1043	BMRS-100 H2-K-F
103-1044	BMRS-160 H2-K-F
103-1045	BMRS-200 H2-K-F
103-1046	BMRS-250 H2-K-F
103-1047	BMRS-315 H2-K-F
103-1048	BMRS-375 H2-K-F
103-1050	BMRS-80 H4-S-P
103-1051	BMRS-100 H4-S-P
103-1052	BMRS-160 H4-S-P
103-1053	BMRS-200 H4-S-P
103-1054	BMRS-250 H4-S-P
103-1055	BMRS-315 H4-S-P
103-1056	BMRS-375 H4-S-P
103-1058	BMRS-80 H4-S-S
103-1059	BMRS-100 H4-S-S
103-1060	BMRS-160 H4-S-S
103-1061	BMRS-200 H4-S-S
103-1062	BMRS-250 H4-S-S
103-1063	BMRS-315 H4-S-S
103-1064	BMRS-375 H4-S-S
103-1066	BMRS-80 H4-S-F
103-1067	BMRS-100 H4-S-F
103-1068	BMRS-160 H4-S-F
103-1069	BMRS-200 H4-S-F
103-1070	BMRS-250 H4-S-F
103-1071	BMRS-315 H4-S-F
103-1072	BMRS-375 H4-S-F
103-1074	BMRS-80 H2-S-P
103-1075	BMRS-100 H2-S-P
103-1076	BMRS-160 H2-S-P
103-1077	BMRS-200 H2-S-P
103-1078	BMRS-250 H2-S-P
103-1079	BMRS-315 H2-S-P

Char-Lynn Model #	Dynamic Model #
103-1080	BMRS-375 H2-S-P
103-1082	BMRS-80 H2-S-S
103-1083	BMRS-100 H2-S-S
103-1084	BMRS-160 H2-S-S
103-1085	BMRS-200 H2-S-S
103-1086	BMRS-250 H2-S-S
103-1087	BMRS-315 H2-S-S
103-1088	BMRS-375 H2-S-S
103-1090	BMRS-80 H2-S-F
103-1091	BMRS-100 H2-S-F
103-1092	BMRS-160 H2-S-F
103-1093	BMRS-200 H2-S-F
103-1094	BMRS-250 H2-S-F
103-1095	BMRS-315 H2-S-F
103-1096	BMRS-375 H2-S-F
103-1537	BMRS-50 H2-K-S
103-1538	BMRS-125 H2-K-S
103-1539	BMRS-160 H2-K-S
103-1540	BMRS-50 H2-K-P
103-1541	BMRS-125 H2-K-P
103-1542	BMRS-160 H2-K-P
103-1543	BMRS-50 H2-K-F
103-1544	BMRS-125 H2-K-F
103-1545	BMRS-160 H2-K-F
103-1552	BMRS-50 H2-S-S
103-1553	BMRS-125 H2-S-S
103-1554	BMRS-160 H2-S-S
103-1555	BMRS-50 H2-S-P
103-1556	BMRS-125 H2-S-P
103-1557	BMRS-160 H2-S-P
103-1558	BMRS-50 H2-S-F
103-1559	BMRS-125 H2-S-F
103-1560	BMRS-160 H2-S-F
103-1570	BMRS-50 H4-K-S

104-XXXX (2000 Series)

Char-Lynn Model #	Dynamic Model #
104-1001	BMSY-80-E2-K-S
104-1002	BMSY-100-E2-K-S
104-1003	BMSY-125-E2-K-S
104-1004	BMSY-160-E2-K-S
104-1005	BMSY-200-E2-K-S
104-1006	BMSY-250-E2-K-S
104-1007	BMSY-315-E2-K-S
104-1008	BMSY-80-E2-T3-S
104-1009	BMSY-100-E2-T3-S
104-1010	BMSY-125-E2-T3-S
104-1011	BMSY-160-E2-T3-S
104-1012	BMSY-200-E2-T3-S
104-1013	BMSY-250-E2-T3-S
104-1014	BMSY-315-E2-T3-S

Crossover Reference - Char-Lynn® Motors

104-XXXX (2000 Series)

Char-Lynn® Model #	Dynamic Model #
104-1015	BMSY-80-E2-S1-S
104-1016	BMSY-100-E2-S1-S
104-1017	BMSY-125-E2-S1-S
104-1018	BMSY-160-E2-S1-S
104-1019	BMSY-200-E2-S1-S
104-1020	BMSY-250-E2-S1-S
104-1021	BMSY-315-E2-S1-S
104-1022	BMSY-80-E2-G-S
104-1023	BMSY-100-E2-G-S
104-1024	BMSY-125-E2-G-S
104-1025	BMSY-160-E2-G-S
104-1026	BMSY-200-E2-G-S
104-1027	BMSY-250-E2-G-S
104-1028	BMSY-315-E2-G-S
104-1029	BMSY-80-E2-F-S
104-1030	BMSY-100-E2-F-S
104-1031	BMSY-125-E2-F-S
104-1032	BMSY-160-E2-F-S
104-1033	BMSY-200-E2-F-S
104-1034	BMSY-250-E2-F-S
104-1035	BMSY-315-E2-F-S
104-1036	BMSY-80-E2-T3-F
104-1037	BMSY-80-E2-K-ED
104-1038	BMSY-100-E2-K-ED
104-1039	BMSY-125-E2-K-ED
104-1040	BMSY-160-E2-K-ED
104-1041	BMSY-200-E2-K-ED
104-1042	BMSY-250-E2-K-ED
104-1043	BMSY-315-E2-K-ED
104-1044	BMSY-400-E2-K-ED
104-1053	BMSY-80-E2-S1-ED
104-1054	BMSY-100-E2-S1-ED
104-1055	BMSY-125-E2-S1-ED
104-1056	BMSY-160-E2-S1-ED
104-1057	BMSY-200-E2-S1-ED
104-1058	BMSY-250-E2-S1-ED
104-1059	BMSY-315-E2-S1-ED
104-1060	BMSY-400-E2-S1-ED
104-1061	BMSY-80-E2-G-ED
104-1062	BMSY-100-E2-G-ED
104-1063	BMSY-125-E2-G-ED
104-1064	BMSY-160-E2-G-ED
104-1065	BMSY-200-E2-G-ED
104-1066	BMSY-250-E2-G-ED
104-1067	BMSY-315-E2-G-ED
104-1068	BMSY-400-E2-G-ED
104-1069	BMSY-250-E2-S1-F
104-1070	BMSY-125-E2-K-F
104-1079	BMSY-80-E2-F-F
104-1080	BMSY-100-E2-F-F
104-1081	BMSY-125-E2-F-F
104-1082	BMSY-160-E2-F-F
104-1083	BMSY-200-E2-F-F

105-XXXX (2000 Series)

Char-Lynn® Model #	Dynamic Model #
105-1001	BMSY-80 WE-T4-S
105-1002	BMSY-100 WE-T4-S
105-1003	BMSY-125 WE-T4-S
105-1004	BMSY-160 WE-T4-S
105-1005	BMSY-200 WE-T4-S
105-1006	BMSY-250 WE-T4-S
105-1007	BMSY-315 WE-T4-S
105-1008	BMSY-80 WE-D-S
105-1009	BMSY-100 WE-D-S
105-1010	BMSY-125 WE-D-S
105-1011	BMSY-160 WE-D-S
105-1012	BMSY-200 WE-D-S
105-1013	BMSY-250 WE-D-S
105-1014	BMSY-315 WE-D-S
105-1022	BMSY-80 WE-G-S
105-1023	BMSY-100 WE-G-S
105-1024	BMSY-125 WE-G-S
105-1025	BMSY-160 WE-G-S
105-1026	BMSY-200 WE-G-S
105-1027	BMSY-250 WE-G-S
105-1028	BMSY-315 WE-G-S
105-1029	BMSY-80 WE-F-S
105-1030	BMSY-100 WE-F-S
105-1031	BMSY-125 WE-F-S
105-1032	BMSY-160 WE-F-S
105-1033	BMSY-200 WE-F-S
105-1034	BMSY-250 WE-F-S
105-1035	BMSY-315 WE-F-S
105-1036	BMSY-80 WE-D-ED
105-1037	BMSY-100 WE-D-ED
105-1039	BMSY-160 WE-D-ED
105-1040	BMSY-200 WE-D-ED
105-1042	BMSY-315 WE-D-ED
105-1052	BMSY-80 WE-G-ED
105-1053	BMSY-100 WE-G-ED
105-1054	BMSY-125 WE-G-ED
105-1055	BMSY-160 WE-G-ED
105-1056	BMSY-200 WE-G-ED
105-1057	BMSY-250 WE-G-ED
105-1058	BMSY-315 WE-G-ED
105-1059	BMSY-400 WE-G-ED
105-1060	BMSY-400 WE-T4-S
105-1061	BMSY-400 WE-D-S
105-1063	BMSY-400 WE-G-S
105-1071	BMSY-80 WE-T4-ED
105-1072	BMSY-100 WE-T4-ED
105-1073	BMSY-125 WE-T4-ED
105-1074	BMSY-160 WE-T4-ED
105-1075	BMSY-200 WE-T4-ED
105-1076	BMSY-250 WE-T4-ED
105-1077	BMSY-315 WE-T4-ED
105-1078	BMSY-400 WE-T4-ED
105-1079	BMSY-80 WE-F-ED

Char-Lynn® Model #	Dynamic Model #
105-1080	BMSY-100 WE-F-ED
105-1081	BMSY-125 WE-F-ED
105-1082	BMSY-160 WE-F-ED
105-1083	BMSY-200 WE-F-ED
105-1084	BMSY-250 WE-F-ED
105-1085	BMSY-315 WE-F-ED
105-1086	BMSY-400 WE-F-ED

112/113-XXXX (6000 Series)

Char-Lynn® Model #	Dynamic Model #
112-1058	BMK6-200-CC-FE-SF5
112-1059	BMK6-250-CC-FE-SF5
112-1060	BMK6-315-CC-FE-SF5
112-1061	BMK6-400-CC-FE-SF5
112-1062	BMK6-500-CC-FE-SF5
112-1109	BMK6-630-CC-FE-SF5
112-1063	BMK6-1000-CC-FE-SF5
112-1064	BMK6-200-CC-G2-SF5
112-1065	BMK6-250-CC-G2-SF5
112-1066	BMK6-315-CC-G2-SF5
112-1067	BMK6-400-CC-G2-SF5
112-1068	BMK6-500-CC-G2-SF5
112-1107	BMK6-630-CC-G2-SF5
112-1069	BMK6-1000-CC-G2-SF5
112-1088	BMK6-200-CC-FE-SF7
112-1089	BMK6-250-CC-FE-SF7
112-1090	BMK6-315-CC-FE-SF7
112-1091	BMK6-400-CC-FE-SF7
112-1092	BMK6-500-CC-FE-SF7
112-1093	BMK6-1000-CC-FE-SF7
112-1094	BMK6-200-CC-Y1-SF7
112-1095	BMK6-250-CC-Y1-SF7
112-1096	BMK6-315-CC-Y1-SF7
112-1097	BMK6-400-CC-Y1-SF7
112-1098	BMK6-500-CC-Y1-SF7
112-1099	BMK6-1000-CC-Y1-SF7
113-1070	BMK6-200-W-T1-SF5
113-1071	BMK6-250-W-T1-SF5
113-1072	BMK6-315-W-T1-SF5
113-1073	BMK6-400-W-T1-SF5
113-1074	BMK6-500-W-T1-SF5
113-1093	BMK6-630-W-T1-SF5
113-1075	BMK6-1000-W-T1-SF5
113-1082	BMK6-200-W-Y1-SF7
113-1083	BMK6-250-W-Y1-SF7
113-1084	BMK6-315-W-Y1-SF7
113-1085	BMK6-400-W-Y1-SF7
113-1086	BMK6-500-W-Y1-SF7
113-1100	BMK6-630-W-Y1-SF7
113-1087	BMK6-1000-W-Y1-SF7

Crossover Reference - White Motors

500 Series & 530 Series

White Model #	Dynamic Model #	White Model #	Dynamic Model #	White Model #	Dynamic Model #
5*0-120-A31-02	BMER-2-125-FS-SW-S-R	5*0-230-W31-02	BMER-2-230-WS-SW-S-R	5*0-375-A51-02	BMER-2-375-FS-SW-S-R
5*0-120-A31-10	BMER-2-125-FS-RW-S-R	5*0-230-W31-10	BMER-2-230-WS-RW-S-R	5*0-375-A51-10	BMER-2-375-FS-RW-S-R
5*0-120-A31-20	BMER-2-125-FS-G2-S-R	5*0-230-W31-20	BMER-2-230-WS-G2-S-R	5*0-375-A51-20	BMER-2-375-FS-G2-S-R
5*0-120-A31-22	BMER-2-125-FS-T4-S-R	5*0-230-W31-22	BMER-2-230-WS-T4-S-R	5*0-375-A51-22	BMER-2-375-FS-T4-S-R
5*0-120-A31-23	BMER-2-125-FS-FD1-S-R	5*0-230-W31-23	BMER-2-230-WS-FD1-S-R	5*0-375-A51-23	BMER-2-375-FS-FD1-S-R
5*0-120-A51-02	BMER-2-125-FS-SW-S-R	5*0-260-A31-02	BMER-2-250-FS-SW-S-R	5*0-375-W31-02	BMER-2-375-WS-SW-S-R
5*0-120-A51-10	BMER-2-125-FS-RW-S-R	5*0-260-A31-10	BMER-2-250-FS-RW-S-R	5*0-375-W31-10	BMER-2-375-WS-RW-S-R
5*0-120-A51-20	BMER-2-125-FS-G2-S-R	5*0-260-A31-20	BMER-2-250-FS-G2-S-R	5*0-375-W31-20	BMER-2-375-WS-G2-S-R
5*0-120-A51-22	BMER-2-125-FS-T4-S-R	5*0-260-A31-22	BMER-2-250-FS-T4-S-R	5*0-375-W31-22	BMER-2-375-WS-T4-S-R
5*0-120-A51-23	BMER-2-125-FS-FD1-S-R	5*0-260-A31-23	BMER-2-250-FS-FD1-S-R	5*0-375-W31-23	BMER-2-375-WS-FD1-S-R
5*0-120-W31-02	BMER-2-125-WS-SW-S-R	5*0-260-A51-02	BMER-2-250-FS-SW-S-R	5*0-470-A31-02	BMER-2-475-FS-SW-S-R
5*0-120-W31-10	BMER-2-125-WS-RW-S-R	5*0-260-A51-10	BMER-2-250-FS-RW-S-R	5*0-470-A31-10	BMER-2-475-FS-RW-S-R
5*0-120-W31-20	BMER-2-125-WS-G2-S-R	5*0-260-A51-20	BMER-2-250-FS-G2-S-R	5*0-470-A31-20	BMER-2-475-FS-G2-S-R
5*0-120-W31-22	BMER-2-125-WS-T4-S-R	5*0-260-A51-22	BMER-2-250-FS-T4-S-R	5*0-470-A31-22	BMER-2-475-FS-T4-S-R
5*0-120-W31-23	BMER-2-125-WS-FD1-S-R	5*0-260-A51-23	BMER-2-250-FS-FD1-S-R	5*0-470-A31-23	BMER-2-475-FS-FD1-S-R
5*0-160-A31-02	BMER-2-160-FS-SW-S-R	5*0-260-W31-02	BMER-2-250-WS-SW-S-R	5*0-470-A51-02	BMER-2-475-FS-SW-S-R
5*0-160-A31-10	BMER-2-160-FS-RW-S-R	5*0-260-W31-10	BMER-2-250-WS-RW-S-R	5*0-470-A51-10	BMER-2-475-FS-RW-S-R
5*0-160-A31-20	BMER-2-160-FS-G2-S-R	5*0-260-W31-20	BMER-2-250-WS-G2-S-R	5*0-470-A51-20	BMER-2-475-FS-G2-S-R
5*0-160-A31-22	BMER-2-160-FS-T4-S-R	5*0-260-W31-22	BMER-2-250-WS-T4-S-R	5*0-470-A51-22	BMER-2-475-FS-T4-S-R
5*0-160-A31-23	BMER-2-160-FS-FD1-S-R	5*0-260-W31-23	BMER-2-250-WS-FD1-S-R	5*0-470-A51-23	BMER-2-475-FS-FD1-S-R
5*0-160-A51-02	BMER-2-160-FS-SW-S-R	5*0-300-A31-02	BMER-2-300-FS-SW-S-R	5*0-470-W31-02	BMER-2-475-WS-SW-S-R
5*0-160-A51-10	BMER-2-160-FS-RW-S-R	5*0-300-A31-10	BMER-2-300-FS-RW-S-R	5*0-470-W31-10	BMER-2-475-WS-RW-S-R
5*0-160-A51-20	BMER-2-160-FS-G2-S-R	5*0-300-A31-20	BMER-2-300-FS-G2-S-R	5*0-470-W31-20	BMER-2-475-WS-G2-S-R
5*0-160-A51-22	BMER-2-160-FS-T4-S-R	5*0-300-A31-22	BMER-2-300-FS-T4-S-R	5*0-470-W31-22	BMER-2-475-WS-T4-S-R
5*0-160-A51-23	BMER-2-160-FS-FD1-S-R	5*0-300-A31-23	BMER-2-300-FS-FD1-S-R	5*0-470-W31-23	BMER-2-475-WS-FD1-S-R
5*0-160-W31-02	BMER-2-160-WS-SW-S-R	5*0-300-A51-02	BMER-2-300-FS-SW-S-R	5*0-540-A31-02	BMER-2-540-FS-SW-S-R
5*0-160-W31-10	BMER-2-160-WS-RW-S-R	5*0-300-A51-10	BMER-2-300-FS-RW-S-R	5*0-540-A31-10	BMER-2-540-FS-RW-S-R
5*0-160-W31-20	BMER-2-160-WS-G2-S-R	5*0-300-A51-20	BMER-2-300-FS-G2-S-R	5*0-540-A31-20	BMER-2-540-FS-G2-S-R
5*0-160-W31-22	BMER-2-160-WS-T4-S-R	5*0-300-A51-22	BMER-2-300-FS-T4-S-R	5*0-540-A31-22	BMER-2-540-FS-T4-S-R
5*0-160-W31-23	BMER-2-160-WS-FD1-S-R	5*0-300-A51-23	BMER-2-300-FS-FD1-S-R	5*0-540-A31-23	BMER-2-540-FS-FD1-S-R
5*0-200-A31-02	BMER-2-200-FS-SW-S-R	5*0-300-W31-02	BMER-2-300-WS-SW-S-R	5*0-540-A51-02	BMER-2-540-FS-SW-S-R
5*0-200-A31-10	BMER-2-200-FS-RW-S-R	5*0-300-W31-10	BMER-2-300-WS-RW-S-R	5*0-540-A51-10	BMER-2-540-FS-RW-S-R
5*0-200-A31-20	BMER-2-200-FS-G2-S-R	5*0-300-W31-20	BMER-2-300-WS-G2-S-R	5*0-540-A51-20	BMER-2-540-FS-G2-S-R
5*0-200-A31-22	BMER-2-200-FS-T4-S-R	5*0-300-W31-22	BMER-2-300-WS-T4-S-R	5*0-540-A51-22	BMER-2-540-FS-T4-S-R
5*0-200-A31-23	BMER-2-200-FS-FD1-S-R	5*0-300-W31-23	BMER-2-300-WS-FD1-S-R	5*0-540-A51-23	BMER-2-540-FS-FD1-S-R
5*0-200-A51-02	BMER-2-200-FS-SW-S-R	5*0-350-A31-02	BMER-2-350-FS-SW-S-R	5*0-540-W31-02	BMER-2-540-WS-SW-S-R
5*0-200-A51-10	BMER-2-200-FS-RW-S-R	5*0-350-A31-10	BMER-2-350-FS-RW-S-R	5*0-540-W31-10	BMER-2-540-WS-RW-S-R
5*0-200-A51-20	BMER-2-200-FS-G2-S-R	5*0-350-A31-20	BMER-2-350-FS-G2-S-R	5*0-540-W31-20	BMER-2-540-WS-G2-S-R
5*0-200-A51-22	BMER-2-200-FS-T4-S-R	5*0-350-A31-22	BMER-2-350-FS-T4-S-R	5*0-540-W31-22	BMER-2-540-WS-T4-S-R
5*0-200-A51-23	BMER-2-200-FS-FD1-S-R	5*0-350-A31-23	BMER-2-350-FS-FD1-S-R	5*0-540-W31-23	BMER-2-540-WS-FD1-S-R
5*0-200-W31-02	BMER-2-200-WS-SW-S-R	5*0-350-A51-02	BMER-2-350-FS-SW-S-R	5*0-750-A31-02	BMER-2-750-FS-SW-S-R
5*0-200-W31-10	BMER-2-200-WS-RW-S-R	5*0-350-A51-10	BMER-2-350-FS-RW-S-R	5*0-750-A31-10	BMER-2-750-FS-RW-S-R
5*0-200-W31-20	BMER-2-200-WS-G2-S-R	5*0-350-A51-20	BMER-2-350-FS-G2-S-R	5*0-750-A31-20	BMER-2-750-FS-G2-S-R
5*0-200-W31-22	BMER-2-200-WS-T4-S-R	5*0-350-A51-22	BMER-2-350-FS-T4-S-R	5*0-750-A31-22	BMER-2-750-FS-T4-S-R
5*0-200-W31-23	BMER-2-200-WS-FD1-S-R	5*0-350-A51-23	BMER-2-350-FS-FD1-S-R	5*0-750-A31-23	BMER-2-750-FS-FD1-S-R
5*0-230-A31-02	BMER-2-230-FS-SW-S-R	5*0-350-W31-02	BMER-2-350-WS-SW-S-R	5*0-750-A51-02	BMER-2-750-FS-SW-S-R
5*0-230-A31-10	BMER-2-230-FS-RW-S-R	5*0-350-W31-10	BMER-2-350-WS-RW-S-R	5*0-750-A51-10	BMER-2-750-FS-RW-S-R
5*0-230-A31-20	BMER-2-230-FS-G2-S-R	5*0-350-W31-20	BMER-2-350-WS-G2-S-R	5*0-750-A51-20	BMER-2-750-FS-G2-S-R
5*0-230-A31-22	BMER-2-230-FS-T4-S-R	5*0-350-W31-22	BMER-2-350-WS-T4-S-R	5*0-750-A51-22	BMER-2-750-FS-T4-S-R
5*0-230-A31-23	BMER-2-230-FS-FD1-S-R	5*0-350-W31-23	BMER-2-350-WS-FD1-S-R	5*0-750-A51-23	BMER-2-750-FS-FD1-S-R
5*0-230-A51-02	BMER-2-230-FS-SW-S-R	5*0-375-A31-02	BMER-2-375-FS-SW-S-R	5*0-750-W31-02	BMER-2-750-WS-SW-S-R
5*0-230-A51-10	BMER-2-230-FS-RW-S-R	5*0-375-A31-10	BMER-2-375-FS-RW-S-R	5*0-750-W31-10	BMER-2-750-WS-RW-S-R
5*0-230-A51-20	BMER-2-230-FS-G2-S-R	5*0-375-A31-20	BMER-2-375-FS-G2-S-R	5*0-750-W31-20	BMER-2-750-WS-G2-S-R
5*0-230-A51-22	BMER-2-230-FS-T4-S-R	5*0-375-A31-22	BMER-2-375-FS-T4-S-R	5*0-750-W31-22	BMER-2-750-WS-T4-S-R
5*0-230-A51-23	BMER-2-230-FS-FD1-S-R	5*0-375-A31-23	BMER-2-375-FS-FD1-S-R	5*0-750-W31-23	BMER-2-750-WS-FD1-S-R

Crossover Reference - White Motors

520 Series

White Model #	Dynamic Model #
520-120-A51-03	BMER-4-125-FS-SWE-S-R
520-120-A51-15	BMER-4-125-FS-RWE-S-R
520-120-A51-07	BMER-4-125-FS-G2E-S-R
520-120-A51-25	BMER-4-125-FS-T4E-S-R
520-120-A51-09	BMER-4-125-FS-FD1E-S-R
520-120-W31-03	BMER-4-125-WS-SWE-S-R
520-120-W31-15	BMER-4-125-WS-RWE-S-R
520-120-W31-07	BMER-4-125-WS-G2E-S-R
520-120-W31-25	BMER-4-125-WS-T4E-S-R
520-120-W31-09	BMER-4-125-WS-FD1E-S-R
520-160-A51-03	BMER-4-160-FS-SWE-S-R
520-160-A51-15	BMER-4-160-FS-RWE-S-R
520-160-A51-07	BMER-4-160-FS-G2E-S-R
520-160-A51-25	BMER-4-160-FS-T4E-S-R
520-160-A51-09	BMER-4-160-FS-FD1E-S-R
520-160-W31-03	BMER-4-160-WS-SWE-S-R
520-160-W31-15	BMER-4-160-WS-RWE-S-R
520-160-W31-07	BMER-4-160-WS-G2E-S-R
520-160-W31-25	BMER-4-160-WS-T4E-S-R
520-160-W31-09	BMER-4-160-WS-FD1E-S-R
520-200-A51-03	BMER-4-200-FS-SWE-S-R
520-200-A51-15	BMER-4-200-FS-RWE-S-R
520-200-A51-07	BMER-4-200-FS-G2E-S-R
520-200-A51-25	BMER-4-200-FS-T4E-S-R
520-200-A51-09	BMER-4-200-FS-FD1E-S-R
520-200-W31-03	BMER-4-200-WS-SWE-S-R
520-200-W31-15	BMER-4-200-WS-RWE-S-R
520-200-W31-07	BMER-4-200-WS-G2E-S-R
520-200-W31-25	BMER-4-200-WS-T4E-S-R
520-200-W31-09	BMER-4-200-WS-FD1E-S-R
520-230-A51-03	BMER-4-230-FS-SWE-S-R
520-230-A51-15	BMER-4-230-FS-RWE-S-R
520-230-A51-07	BMER-4-230-FS-G2E-S-R
520-230-A51-25	BMER-4-230-FS-T4E-S-R
520-230-A51-09	BMER-4-230-FS-FD1E-S-R
520-230-W31-03	BMER-4-230-WS-SWE-S-R
520-230-W31-15	BMER-4-230-WS-RWE-S-R
520-230-W31-07	BMER-4-230-WS-G2E-S-R
520-230-W31-25	BMER-4-230-WS-T4E-S-R
520-230-W31-09	BMER-4-230-WS-FD1E-S-R
520-260-A51-03	BMER-4-250-FS-SWE-S-R
520-260-A51-15	BMER-4-250-FS-RWE-S-R
520-260-A51-07	BMER-4-250-FS-G2E-S-R
520-260-A51-25	BMER-4-250-FS-T4E-S-R
520-260-A51-09	BMER-4-250-FS-FD1E-S-R
520-260-W31-03	BMER-4-250-WS-SWE-S-R
520-260-W31-15	BMER-4-250-WS-RWE-S-R
520-260-W31-07	BMER-4-250-WS-G2E-S-R
520-260-W31-25	BMER-4-250-WS-T4E-S-R
520-260-W31-09	BMER-4-250-WS-FD1E-S-R
520-300-A51-03	BMER-4-300-FS-SWE-S-R
520-300-A51-15	BMER-4-300-FS-RWE-S-R
520-300-A51-07	BMER-4-300-FS-G2E-S-R
520-300-A51-25	BMER-4-300-FS-T4E-S-R
520-300-A51-09	BMER-4-300-FS-FD1E-S-R

White Model #	Dynamic Model #
520-300-W31-03	BMER-4-300-WS-SWE-S-R
520-300-W31-15	BMER-4-300-WS-RWE-S-R
520-300-W31-07	BMER-4-300-WS-G2E-S-R
520-300-W31-25	BMER-4-300-WS-T4E-S-R
520-300-W31-09	BMER-4-300-WS-FD1E-S-R
520-350-A51-03	BMER-4-350-FS-SWE-S-R
520-350-A51-15	BMER-4-350-FS-RWE-S-R
520-350-A51-07	BMER-4-350-FS-G2E-S-R
520-350-A51-25	BMER-4-350-FS-T4E-S-R
520-350-A51-09	BMER-4-350-FS-FD1E-S-R
520-350-W31-03	BMER-4-350-WS-SWE-S-R
520-350-W31-15	BMER-4-350-WS-RWE-S-R
520-350-W31-07	BMER-4-350-WS-G2E-S-R
520-350-W31-25	BMER-4-350-WS-T4E-S-R
520-350-W31-09	BMER-4-350-WS-FD1E-S-R
520-375-A51-03	BMER-4-375-FS-SWE-S-R
520-375-A51-15	BMER-4-375-FS-RWE-S-R
520-375-A51-07	BMER-4-375-FS-G2E-S-R
520-375-A51-25	BMER-4-375-FS-T4E-S-R
520-375-A51-09	BMER-4-375-FS-FD1E-S-R
520-375-W31-03	BMER-4-375-WS-SWE-S-R
520-375-W31-15	BMER-4-375-WS-RWE-S-R
520-375-W31-07	BMER-4-375-WS-G2E-S-R
520-375-W31-25	BMER-4-375-WS-T4E-S-R
520-375-W31-09	BMER-4-375-WS-FD1E-S-R
520-470-A51-03	BMER-4-475-FS-SWE-S-R
520-470-A51-15	BMER-4-475-FS-RWE-S-R
520-470-A51-07	BMER-4-475-FS-G2E-S-R
520-470-A51-25	BMER-4-475-FS-T4E-S-R
520-470-A51-09	BMER-4-475-FS-FD1E-S-R
520-470-W31-03	BMER-4-475-WS-SWE-S-R
520-470-W31-15	BMER-4-475-WS-RWE-S-R
520-470-W31-07	BMER-4-475-WS-G2E-S-R
520-470-W31-25	BMER-4-475-WS-T4E-S-R
520-470-W31-09	BMER-4-475-WS-FD1E-S-R
520-540-A51-03	BMER-4-540-FS-SWE-S-R
520-540-A51-15	BMER-4-540-FS-RWE-S-R
520-540-A51-07	BMER-4-540-FS-G2E-S-R
520-540-A51-25	BMER-4-540-FS-T4E-S-R
520-540-A51-09	BMER-4-540-FS-FD1E-S-R
520-540-W31-03	BMER-4-540-WS-SWE-S-R
520-540-W31-15	BMER-4-540-WS-RWE-S-R
520-540-W31-07	BMER-4-540-WS-G2E-S-R
520-540-W31-25	BMER-4-540-WS-T4E-S-R
520-540-W31-09	BMER-4-540-WS-FD1E-S-R
520-750-A51-03	BMER-4-750-FS-SWE-S-R
520-750-A51-15	BMER-4-750-FS-RWE-S-R
520-750-A51-07	BMER-4-750-FS-G2E-S-R
520-750-A51-25	BMER-4-750-FS-T4E-S-R
520-750-A51-09	BMER-4-750-FS-FD1E-S-R
520-750-W31-03	BMER-4-750-WS-SWE-S-R
520-750-W31-15	BMER-4-750-WS-RWE-S-R
520-750-W31-07	BMER-4-750-WS-G2E-S-R
520-750-W31-25	BMER-4-750-WS-T4E-S-R
520-750-W31-09	BMER-4-750-WS-FD1E-S-R

Crossover Reference - White Motors

521 Series

White Model #	Dynamic Model #
521-120-A51-03	BMER-4-125-FS-SWE-S
521-120-A51-15	BMER-4-125-FS-RWE-S
521-120-A51-07	BMER-4-125-FS-G2E-S
521-120-A51-25	BMER-4-125-FS-T4E-S
521-120-A51-09	BMER-4-125-FS-FD1E-S
521-120-W31-03	BMER-4-125-WS-SWE-S
521-120-W31-15	BMER-4-125-WS-RWE-S
521-120-W31-07	BMER-4-125-WS-G2E-S
521-120-W31-25	BMER-4-125-WS-T4E-S
521-120-W31-09	BMER-4-125-WS-FD1E-S
521-160-A51-03	BMER-4-160-FS-SWE-S
521-160-A51-15	BMER-4-160-FS-RWE-S
521-160-A51-07	BMER-4-160-FS-G2E-S
521-160-A51-25	BMER-4-160-FS-T4E-S
521-160-A51-09	BMER-4-160-FS-FD1E-S
521-160-W31-03	BMER-4-160-WS-SWE-S
521-160-W31-15	BMER-4-160-WS-RWE-S
521-160-W31-07	BMER-4-160-WS-G2E-S
521-160-W31-25	BMER-4-160-WS-T4E-S
521-160-W31-09	BMER-4-160-WS-FD1E-S
521-200-A51-03	BMER-4-200-FS-SWE-S
521-200-A51-15	BMER-4-200-FS-RWE-S
521-200-A51-07	BMER-4-200-FS-G2E-S
521-200-A51-25	BMER-4-200-FS-T4E-S
521-200-A51-09	BMER-4-200-FS-FD1E-S
521-200-W31-03	BMER-4-200-WS-SWE-S
521-200-W31-15	BMER-4-200-WS-RWE-S
521-200-W31-07	BMER-4-200-WS-G2E-S
521-200-W31-25	BMER-4-200-WS-T4E-S
521-200-W31-09	BMER-4-200-WS-FD1E-S
521-230-A51-03	BMER-4-230-FS-SWE-S
521-230-A51-15	BMER-4-230-FS-RWE-S
521-230-A51-07	BMER-4-230-FS-G2E-S
521-230-A51-25	BMER-4-230-FS-T4E-S
521-230-A51-09	BMER-4-230-FS-FD1E-S
521-230-W31-03	BMER-4-230-WS-SWE-S
521-230-W31-15	BMER-4-230-WS-RWE-S
521-230-W31-07	BMER-4-230-WS-G2E-S
521-230-W31-25	BMER-4-230-WS-T4E-S
521-230-W31-09	BMER-4-230-WS-FD1E-S
521-260-A51-03	BMER-4-250-FS-SWE-S
521-260-A51-15	BMER-4-250-FS-RWE-S
521-260-A51-07	BMER-4-250-FS-G2E-S
521-260-A51-25	BMER-4-250-FS-T4E-S
521-260-A51-09	BMER-4-250-FS-FD1E-S
521-260-W31-03	BMER-4-250-WS-SWE-S
521-260-W31-15	BMER-4-250-WS-RWE-S
521-260-W31-07	BMER-4-250-WS-G2E-S
521-260-W31-25	BMER-4-250-WS-T4E-S
521-260-W31-09	BMER-4-250-WS-FD1E-S
521-300-A51-03	BMER-4-300-FS-SWE-S
521-300-A51-15	BMER-4-300-FS-RWE-S
521-300-A51-07	BMER-4-300-FS-G2E-S
521-300-A51-25	BMER-4-300-FS-T4E-S
521-300-A51-09	BMER-4-300-FS-FD1E-S

White Model #	Dynamic Model #
521-300-W31-03	BMER-4-300-WS-SWE-S
521-300-W31-15	BMER-4-300-WS-RWE-S
521-300-W31-07	BMER-4-300-WS-G2E-S
521-300-W31-25	BMER-4-300-WS-T4E-S
521-300-W31-09	BMER-4-300-WS-FD1E-S
521-350-A51-03	BMER-4-350-FS-SWE-S
521-350-A51-15	BMER-4-350-FS-RWE-S
521-350-A51-07	BMER-4-350-FS-G2E-S
521-350-A51-25	BMER-4-350-FS-T4E-S
521-350-A51-09	BMER-4-350-FS-FD1E-S
521-350-W31-03	BMER-4-350-WS-SWE-S
521-350-W31-15	BMER-4-350-WS-RWE-S
521-350-W31-07	BMER-4-350-WS-G2E-S
521-350-W31-25	BMER-4-350-WS-T4E-S
521-350-W31-09	BMER-4-350-WS-FD1E-S
521-375-A51-03	BMER-4-375-FS-SWE-S
521-375-A51-15	BMER-4-375-FS-RWE-S
521-375-A51-07	BMER-4-375-FS-G2E-S
521-375-A51-25	BMER-4-375-FS-T4E-S
521-375-A51-09	BMER-4-375-FS-FD1E-S
521-375-W31-03	BMER-4-375-WS-SWE-S
521-375-W31-15	BMER-4-375-WS-RWE-S
521-375-W31-07	BMER-4-375-WS-G2E-S
521-375-W31-25	BMER-4-375-WS-T4E-S
521-375-W31-09	BMER-4-375-WS-FD1E-S
521-470-A51-03	BMER-4-475-FS-SWE-S
521-470-A51-15	BMER-4-475-FS-RWE-S
521-470-A51-07	BMER-4-475-FS-G2E-S
521-470-A51-25	BMER-4-475-FS-T4E-S
521-470-A51-09	BMER-4-475-FS-FD1E-S
521-470-W31-03	BMER-4-475-WS-SWE-S
521-470-W31-15	BMER-4-475-WS-RWE-S
521-470-W31-07	BMER-4-475-WS-G2E-S
521-470-W31-25	BMER-4-475-WS-T4E-S
521-470-W31-09	BMER-4-475-WS-FD1E-S
521-540-A51-03	BMER-4-540-FS-SWE-S
521-540-A51-15	BMER-4-540-FS-RWE-S
521-540-A51-07	BMER-4-540-FS-G2E-S
521-540-A51-25	BMER-4-540-FS-T4E-S
521-540-A51-09	BMER-4-540-FS-FD1E-S
521-540-W31-03	BMER-4-540-WS-SWE-S
521-540-W31-15	BMER-4-540-WS-RWE-S
521-540-W31-07	BMER-4-540-WS-G2E-S
521-540-W31-25	BMER-4-540-WS-T4E-S
521-540-W31-09	BMER-4-540-WS-FD1E-S
521-750-A51-03	BMER-4-750-FS-SWE-S
521-750-A51-15	BMER-4-750-FS-RWE-S
521-750-A51-07	BMER-4-750-FS-G2E-S
521-750-A51-25	BMER-4-750-FS-T4E-S
521-750-A51-09	BMER-4-750-FS-FD1E-S
521-750-W31-03	BMER-4-750-WS-SWE-S
521-750-W31-15	BMER-4-750-WS-RWE-S
521-750-W31-07	BMER-4-750-WS-G2E-S
521-750-W31-25	BMER-4-750-WS-T4E-S
521-750-W31-09	BMER-4-750-WS-FD1E-S

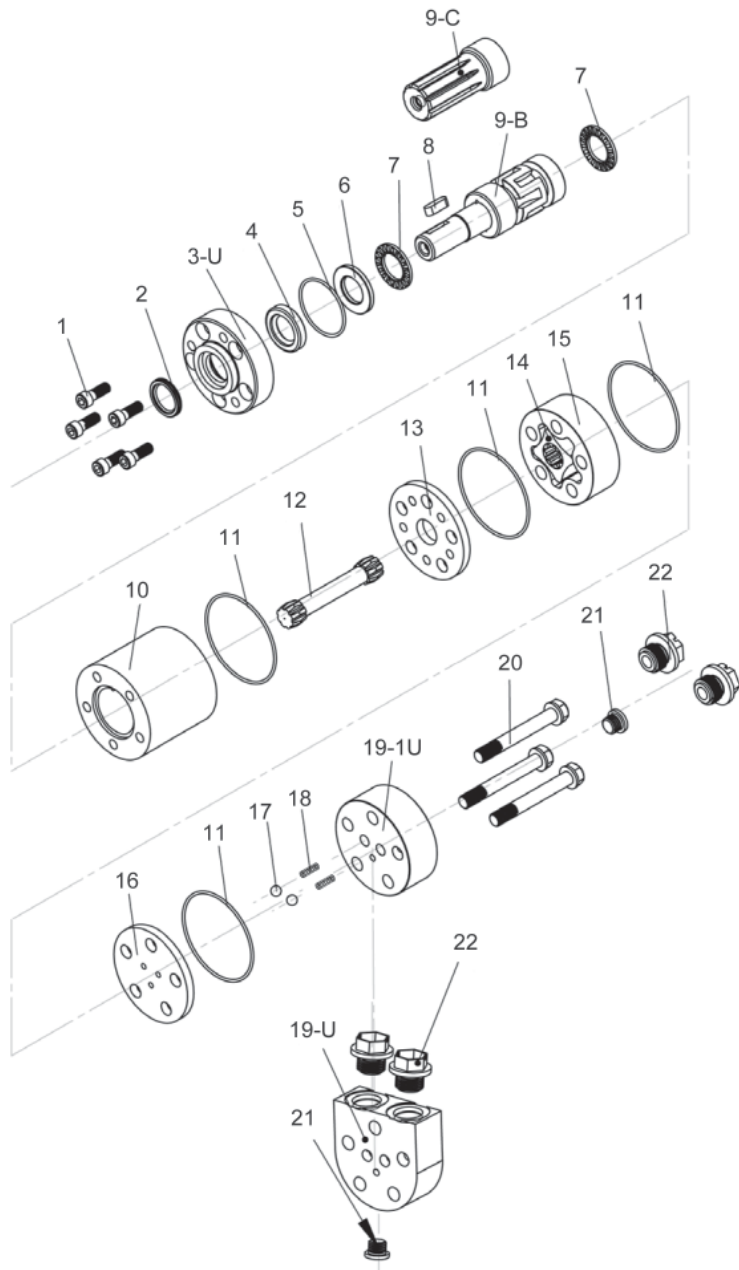
Crossover Reference - Danfoss Motors

Danfoss Model #	Dynamic Model #	Danfoss Model #	Dynamic Model #	Danfoss Model #	Dynamic Model #	Danfoss Model #	Dynamic Model #
151-2000	BMPH-36 H2-K-S	151-2017	BMPH-250 H2-S-S	151-3444	BMPH-125 H4-K-S	151-2131	BMPH-50 H4-S-P
151-2001	BMPH-50 H2-K-S	151-2018	BMPH-315 H2-S-S	151-3445	BMPH-160 H4-K-S	151-2132	BMPH-80 H4-S-P
151-2002	BMPH-80 H2-K-S	151-2019	BMPH-400 H2-S-S	151-3446	BMPH-200 H4-K-S	151-2133	BMPH-100 H4-S-P
151-2003	BMPH-100 H2-K-S	151-3410	BMPH-36 H2-S-S	151-3447	BMPH-250 H4-K-S	151-2134	BMPH-125 H4-S-P
151-2004	BMPH-125 H2-K-S	151-3411	BMPH-50 H2-S-S	151-3448	BMPH-315 H4-K-S	151-2135	BMPH-160 H4-S-P
151-2005	BMPH-160 H2-K-S	151-3412	BMPH-80 H2-S-S	151-3449	BMPH-400 H4-K-S	151-2136	BMPH-200 H4-S-P
151-2006	BMPH-200 H2-K-S	151-3413	BMPH-100 H2-S-S	151-2120	BMPH-36 H4-K-P	151-2137	BMPH-250 H4-S-P
151-2007	BMPH-250 H2-K-S	151-3414	BMPH-125 H2-S-S	151-2121	BMPH-50 H4-K-P	151-2138	BMPH-315 H4-S-P
151-2008	BMPH-315 H2-K-S	151-3415	BMPH-160 H2-S-S	151-2122	BMPH-80 H4-K-P	151-2139	BMPH-400 H4-S-P
151-2009	BMPH-400 H2-K-S	151-3416	BMPH-200 H2-S-S	151-2123	BMPH-100 H4-K-P	151-2210	BMPH-36 H4-S-F
151-3400	BMPH-36 H2-K-S	151-3417	BMPH-250 H2-S-S	151-2124	BMPH-125 H4-K-P	151-2211	BMPH-50 H4-S-F
151-3401	BMPH-50 H2-K-S	151-3418	BMPH-315 H2-S-S	151-2125	BMPH-160 H4-K-P	151-2212	BMPH-80 H4-S-F
151-3402	BMPH-80 H2-K-S	151-3419	BMPH-400 H2-S-S	151-2126	BMPH-200 H4-K-P	151-2213	BMPH-100 H4-S-F
151-3403	BMPH-100 H2-K-S	151-2090	BMPH-36 H2-S-P	151-2127	BMPH-250 H4-K-P	151-2214	BMPH-125 H4-S-F
151-3404	BMPH-125 H2-K-S	151-2091	BMPH-50 H2-S-P	151-2128	BMPH-315 H4-K-P	151-2215	BMPH-160 H4-S-F
151-3405	BMPH-160 H2-K-S	151-2092	BMPH-80 H2-S-P	151-2129	BMPH-400 H4-K-P	151-2216	BMPH-200 H4-S-F
151-3406	BMPH-200 H2-K-S	151-2093	BMPH-100 H2-S-P	151-3520	BMPH-36 H4-K-P	151-2217	BMPH-250 H4-S-F
151-3407	BMPH-250 H2-K-S	151-2094	BMPH-125 H2-S-P	151-3521	BMPH-50 H4-K-P	151-2218	BMPH-315 H4-S-F
151-3408	BMPH-315 H2-K-S	151-2095	BMPH-160 H2-S-P	151-3522	BMPH-80 H4-K-P	151-2219	BMPH-400 H4-S-F
151-3409	BMPH-400 H2-K-S	151-2096	BMPH-200 H2-S-P	151-3523	BMPH-100 H4-K-P	151-2301	BMRS-50 H2-K-S
151-2080	BMPH-36 H2-K-P	151-2097	BMPH-250 H2-S-P	151-3524	BMPH-125 H4-K-P	151-2302	BMRS-80 H2-K-S
151-2081	BMPH-50 H2-K-P	151-2098	BMPH-315 H2-S-P	151-3525	BMPH-160 H4-K-P	151-2303	BMRS-100 H2-K-S
151-2082	BMPH-80 H2-K-P	151-2099	BMPH-400 H2-S-P	151-3526	BMPH-200 H4-K-P	151-2304	BMRS-125 H2-K-S
151-2083	BMPH-100 H2-K-P	151-2170	BMPH-36 H2-S-F	151-3527	BMPH-250 H4-K-P	151-2305	BMRS-160 H2-K-S
151-2084	BMPH-125 H2-K-P	151-2171	BMPH-50 H2-S-F	151-3528	BMPH-315 H4-K-P	151-2306	BMRS-200 H2-K-S
151-2085	BMPH-160 H2-K-P	151-2172	BMPH-80 H2-S-F	151-3529	BMPH-400 H4-K-P	151-2307	BMRS-250 H2-K-S
151-2086	BMPH-200 H2-K-P	151-2173	BMPH-100 H2-S-F	151-2200	BMPH-36 H4-K-F	151-2308	BMRS-315 H2-K-S
151-2087	BMPH-250 H2-K-P	151-2174	BMPH-125 H2-S-F	151-2201	BMPH-50 H4-K-F	151-2309	BMRS-375 H2-K-S
151-2088	BMPH-315 H2-K-P	151-2175	BMPH-160 H2-S-F	151-2202	BMPH-80 H4-K-F	151-3701	BMRS-50 H2-K-S
151-2089	BMPH-400 H2-K-P	151-2176	BMPH-200 H2-S-F	151-2203	BMPH-100 H4-K-F	151-3702	BMRS-80 H2-K-S
151-3480	BMPH-36 H2-K-P	151-2177	BMPH-250 H2-S-F	151-2204	BMPH-125 H4-K-F	151-3703	BMRS-100 H2-K-S
151-3481	BMPH-50 H2-K-P	151-2178	BMPH-315 H2-S-F	151-2205	BMPH-160 H4-K-F	151-3704	BMRS-125 H2-K-S
151-3482	BMPH-80 H2-K-P	151-2179	BMPH-400 H2-S-F	151-2206	BMPH-200 H4-K-F	151-3705	BMRS-160 H2-K-S
151-3483	BMPH-100 H2-K-P	151-3570	BMPH-36 H2-S-F	151-2207	BMPH-250 H4-K-F	151-3706	BMRS-200 H2-K-S
151-3484	BMPH-125 H2-K-P	151-3571	BMPH-50 H2-S-F	151-2208	BMPH-315 H4-K-F	151-3707	BMRS-250 H2-K-S
151-3485	BMPH-160 H2-K-P	151-3572	BMPH-80 H2-S-F	151-2209	BMPH-400 H4-K-F	151-3708	BMRS-315 H2-K-S
151-3486	BMPH-200 H2-K-P	151-3573	BMPH-100 H2-S-F	151-2050	BMPH-36 H4-S-S	151-3709	BMRS-375 H2-K-S
151-3487	BMPH-250 H2-K-P	151-3574	BMPH-125 H2-S-F	151-2051	BMPH-50 H4-S-S	151-2381	BMRS-50 H2-K-P
151-3488	BMPH-315 H2-K-P	151-3575	BMPH-160 H2-S-F	151-2052	BMPH-80 H4-S-S	151-2382	BMRS-80 H2-K-P
151-3489	BMPH-400 H2-K-P	151-3576	BMPH-200 H2-S-F	151-2053	BMPH-100 H4-S-S	151-2383	BMRS-100 H2-K-P
151-2160	BMPH-36 H2-K-F	151-3577	BMPH-250 H2-S-F	151-2054	BMPH-125 H4-S-S	151-2384	BMRS-125 H2-K-P
151-2161	BMPH-50 H2-K-F	151-3578	BMPH-315 H2-S-F	151-2055	BMPH-160 H4-S-S	151-2385	BMRS-160 H2-K-P
151-2162	BMPH-80 H2-K-F	151-3579	BMPH-400 H2-S-F	151-2056	BMPH-200 H4-S-S	151-2386	BMRS-200 H2-K-P
151-2163	BMPH-100 H2-K-F	151-2040	BMPH-36 H4-K-S	151-2057	BMPH-250 H4-S-S	151-2387	BMRS-250 H2-K-P
151-2164	BMPH-125 H2-K-F	151-2041	BMPH-50 H4-K-S	151-2058	BMPH-315 H4-S-S	151-2388	BMRS-315 H2-K-P
151-2165	BMPH-160 H2-K-F	151-2042	BMPH-80 H4-K-S	151-2059	BMPH-400 H4-S-S	151-2389	BMRS-375 H2-K-P
151-2166	BMPH-200 H2-K-F	151-2043	BMPH-100 H4-K-S	151-3450	BMPH-36 H4-S-S	151-3781	BMRS-50 H2-K-P
151-2167	BMPH-250 H2-K-F	151-2044	BMPH-125 H4-K-S	151-3451	BMPH-50 H4-S-S	151-3782	BMRS-80 H2-K-P
151-2168	BMPH-315 H2-K-F	151-2045	BMPH-160 H4-K-S	151-3452	BMPH-80 H4-S-S	151-3783	BMRS-100 H2-K-P
151-2169	BMPH-400 H2-K-F	151-2046	BMPH-200 H4-K-S	151-3453	BMPH-100 H4-S-S	151-3784	BMRS-125 H2-K-P
151-2010	BMPH-36 H2-S-S	151-2047	BMPH-250 H4-K-S	151-3454	BMPH-125 H4-S-S	151-3785	BMRS-160 H2-K-P
151-2011	BMPH-50 H2-S-S	151-2048	BMPH-315 H4-K-S	151-3455	BMPH-160 H4-S-S	151-3786	BMRS-200 H2-K-P
151-2012	BMPH-80 H2-S-S	151-2049	BMPH-400 H4-K-S	151-3456	BMPH-200 H4-S-S	151-3787	BMRS-250 H2-K-P
151-2013	BMPH-100 H2-S-S	151-3440	BMPH-36 H4-K-S	151-3457	BMPH-250 H4-S-S	151-3788	BMRS-315 H2-K-P
151-2014	BMPH-125 H2-S-S	151-3441	BMPH-50 H4-K-S	151-3458	BMPH-315 H4-S-S	151-3789	BMRS-375 H2-K-P
151-2015	BMPH-160 H2-S-S	151-3442	BMPH-80 H4-K-S	151-3459	BMPH-400 H4-S-S	151-2461	BMRS-50 H2-K-F
151-2016	BMPH-200 H2-S-S	151-3443	BMPH-100 H4-K-S	151-2130	BMPH-36 H4-S-P	151-2462	BMRS-80 H2-K-F

Crossover Reference - Danfoss Motors

Danfoss Model #	Dynamic Model #	Danfoss Model #	Dynamic Model #	Danfoss Model #	Dynamic Model #	Danfoss Model #	Dynamic Model #
151-2463	BMRS-100 H2-K-F	151-3747	BMRS-250 H4-K-S	151F2202	BMSY-125 E4-G-S	151F2330	BMSY-315 E2-F-S
151-2464	BMRS-125 H2-K-F	151-3748	BMRS-315 H4-K-S	151F2203	BMSY-160 E4-G-S	151F2331	BMSY-400 E2-F-S
151-2465	BMRS-160 H2-K-F	151-3749	BMRS-375 H4-K-S	151F2204	BMSY-200 E4-G-S	151F2348	BMSY-475 E2-T4-S
151-2466	BMRS-200 H2-K-F	151-2421	BMRS-50 H4-K-P	151F2205	BMSY-250 E4-G-S	151F2332	BMSY-80 E2-T4-S
151-2467	BMRS-250 H2-K-F	151-2422	BMRS-80 H4-K-P	151F2206	BMSY-315 E4-G-S	151F2333	BMSY-100 E2-T4-S
151-2468	BMRS-315 H2-K-F	151-2423	BMRS-100 H4-K-P	151F2261	BMSY-400 E4-G-S	151F2334	BMSY-125 E2-T4-S
151-2469	BMRS-375 H2-K-F	151-2424	BMRS-125 H4-K-P	151F2268	BMSY-475 E4-G-S	151F2335	BMSY-160 E2-T4-S
151-2311	BMRS-50 H2-S-S	151-2425	BMRS-160 H4-K-P	151F2207	BMSY-80 E4-F-S	151F2336	BMSY-200 E2-T4-S
151-2312	BMRS-80 H2-S-S	151-2426	BMRS-200 H4-K-P	151F2208	BMSY-100 E4-F-S	151F2337	BMSY-250 E2-T4-S
151-2313	BMRS-100 H2-S-S	151-2427	BMRS-250 H4-K-P	151F2209	BMSY-125 E4-F-S	151F2338	BMSY-315 E2-T4-S
151-2314	BMRS-125 H2-S-S	151-2428	BMRS-315 H4-K-P	151F2210	BMSY-160 E4-F-S	151F2339	BMSY-400 E2-T4-S
151-2315	BMRS-160 H2-S-S	151-2429	BMRS-375 H4-K-P	151F2211	BMSY-200 E4-F-S	151F2349	BMSY-475 E2-T4-S
151-2316	BMRS-200 H2-S-S	151-3821	BMRS-50 H4-K-P	151F2212	BMSY-250 E4-F-S	151F2377	BMSY-80 F6-K-S
151-2317	BMRS-250 H2-S-S	151-3822	BMRS-80 H4-K-P	151F2213	BMSY-315 E4-F-S	151F2378	BMSY-100 F6-K-S
151-2318	BMRS-315 H2-S-S	151-3823	BMRS-100 H4-K-P	151F2262	BMSY-400 E4-F-S	151F2379	BMSY-125 F6-K-S
151-2319	BMRS-375 H2-S-S	151-3824	BMRS-125 H4-K-P	151F2269	BMSY-475 E4-F-S	151F2380	BMSY-160 F6-K-S
151-3711	BMRS-50 H2-S-S	151-3825	BMRS-160 H4-K-P	151F2214	BMSY-80 E4-T4-S	151F2381	BMSY-200 F6-K-S
151-3712	BMRS-80 H2-S-S	151-3826	BMRS-200 H4-K-P	151F2215	BMSY-100 E4-T4-S	151F2382	BMSY-250 F6-K-S
151-3713	BMRS-100 H2-S-S	151-3827	BMRS-250 H4-K-P	151F2216	BMSY-125 E4-T4-S	151F2383	BMSY-315 F6-K-S
151-3714	BMRS-125 H2-S-S	151-3828	BMRS-315 H4-K-P	151F2217	BMSY-160 E4-T4-S	151F2384	BMSY-400 F6-K-S
151-3715	BMRS-160 H2-S-S	151-3829	BMRS-375 H4-K-P	151F2218	BMSY-200 E4-T4-S	151F2385	BMSY-475 F6-K-S
151-3716	BMRS-200 H2-S-S	151-2501	BMRS-50 H4-K-F	151F2219	BMSY-250 E4-T4-S	151F2368	BMSY-80 F6-G-S
151-3717	BMRS-250 H2-S-S	151-2502	BMRS-80 H4-K-F	151F2220	BMSY-315 E4-T4-S	151F2369	BMSY-100 F6-G-S
151-3718	BMRS-315 H2-S-S	151-2503	BMRS-100 H4-K-F	151F2264	BMSY-400 E4-T4-S	151F2370	BMSY-125 F6-G-S
151-3719	BMRS-375 H2-S-S	151-2504	BMRS-125 H4-K-F	151F2270	BMSY-475 E4-T4-S	151F2371	BMSY-160 F6-G-S
151-2391	BMRS-50 H2-S-P	151-2505	BMRS-160 H4-K-F	151F2300	BMSY-80 E2-K-S	151F2372	BMSY-200 F6-G-S
151-2392	BMRS-80 H2-S-P	151-2506	BMRS-200 H4-K-F	151F2301	BMSY-100 E2-K-S	151F2373	BMSY-250 F6-G-S
151-2393	BMRS-100 H2-S-P	151-2507	BMRS-250 H4-K-F	151F2302	BMSY-125 E2-K-S	151F2374	BMSY-315 F6-G-S
151-2394	BMRS-125 H2-S-P	151-2508	BMRS-315 H4-K-F	151F2303	BMSY-160 E2-K-S	151F2375	BMSY-400 F6-G-S
151-2395	BMRS-160 H2-S-P	151-2509	BMRS-375 H4-K-F	151F2304	BMSY-200 E2-K-S	151F2376	BMSY-475 F6-G-S
151-2396	BMRS-200 H2-S-P	151-2351	BMRS-50 H4-S-S	151F2305	BMSY-250 E2-K-S	151F2359	BMSY-80 F6-S1-S
151-2397	BMRS-250 H2-S-P	151-2352	BMRS-80 H4-S-S	151F2306	BMSY-315 E2-K-S	151F2360	BMSY-100 F6-S1-S
151-2398	BMRS-315 H2-S-P	151-2353	BMRS-100 H4-S-S	151F2307	BMSY-400 E2-K-S	151F2361	BMSY-125 F6-S1-S
151-2399	BMRS-375 H2-S-P	151-2354	BMRS-125 H4-S-S	151F2345	BMSY-475 E2-K-S	151F2362	BMSY-160 F6-S1-S
151-2471	BMRS-50 H2-S-F	151-2355	BMRS-160 H4-S-S	151F2316	BMSY-80 E2-G-S	151F2363	BMSY-200 F6-S1-S
151-2472	BMRS-80 H2-S-F	151-2356	BMRS-200 H4-S-S	151F2317	BMSY-100 E2-G-S	151F2364	BMSY-250 F6-S1-S
151-2473	BMRS-100 H2-S-F	151-2357	BMRS-250 H4-S-S	151F2318	BMSY-125 E2-G-S	151F2365	BMSY-315 F6-S1-S
151-2474	BMRS-125 H2-S-F	151-2358	BMRS-315 H4-S-S	151F2319	BMSY-160 E2-G-S	151F2366	BMSY-400 F6-S1-S
151-2475	BMRS-160 H2-S-F	151-2359	BMRS-375 H4-S-S	151F2320	BMSY-200 E2-G-S	151F2367	BMSY-475 F6-S1-S
151-2476	BMRS-200 H2-S-F	151-2431	BMRS-50 H4-S-P	151F2321	BMSY-250 E2-G-S	151F2350	BMSY-80 F6-F-S
151-2477	BMRS-250 H2-S-F	151-2432	BMRS-80 H4-S-P	151F2322	BMSY-315 E2-G-S	151F2351	BMSY-100 F6-F-S
151-2478	BMRS-315 H2-S-F	151-2433	BMRS-100 H4-S-P	151F2323	BMSY-400 E2-G-S	151F2352	BMSY-125 F6-F-S
151-2479	BMRS-375 H2-S-F	151-2434	BMRS-125 H4-S-P	151F2347	BMSY-475 E2-G-S	151F2353	BMSY-160 F6-F-S
151-2341	BMRS-50 H4-K-S	151-2435	BMRS-160 H4-S-P	151F2308	BMSY-80 E2-S1-S	151F2354	BMSY-200 F6-F-S
151-2342	BMRS-80 H4-K-S	151-2436	BMRS-200 H4-S-P	151F2309	BMSY-100 E2-S1-S	151F2355	BMSY-250 F6-F-S
151-2343	BMRS-100 H4-K-S	151-2437	BMRS-250 H4-S-P	151F2310	BMSY-125 E2-S1-S	151F2356	BMSY-315 F6-F-S
151-2344	BMRS-125 H4-K-S	151-2438	BMRS-315 H4-S-P	151F2311	BMSY-160 E2-S1-S	151F2357	BMSY-400 F6-F-S
151-2345	BMRS-160 H4-K-S	151-2439	BMRS-375 H4-S-P	151F2312	BMSY-200 E2-S1-S	151F2358	BMSY-475 F6-F-S
151-2346	BMRS-200 H4-K-S	151-2511	BMRS-50 H4-S-F	151F2313	BMSY-250 E2-S1-S	151G0048	BMM-8 U-B-1U
151-2347	BMRS-250 H4-K-S	151-2512	BMRS-80 H4-S-F	151F2314	BMSY-315 E2-S1-S	151G0031	BMM-12.5 U-B-1U
151-2348	BMRS-315 H4-K-S	151-2513	BMRS-100 H4-S-F	151F2315	BMSY-400 E2-S1-S	151G0032	BMM-20 U-B-1U
151-2349	BMRS-375 H4-K-S	151-2514	BMRS-125 H4-S-F	151F2346	BMSY-475 E2-S1-S	151G0033	BMM-32 U-B-1U
151-3741	BMRS-50 H4-K-S	151-2515	BMRS-160 H4-S-F	151F2324	BMSY-80 E2-F-S	151G0049	BMM-8 U-B-U
151-3742	BMRS-80 H4-K-S	151-2516	BMRS-200 H4-S-F	151F2325	BMSY-100 E2-F-S	151G0034	BMM-12.5 U-B-U
151-3743	BMRS-100 H4-K-S	151-2517	BMRS-250 H4-S-F	151F2326	BMSY-125 E2-F-S	151G0035	BMM-20 U-B-U
151-3744	BMRS-125 H4-K-S	151-2518	BMRS-315 H4-S-F	151F2327	BMSY-160 E2-F-S	151G0036	BMM-32 U-B-U
151-3745	BMRS-160 H4-K-S	151F2200	BMSY-80 E4-G-S	151F2328	BMSY-200 E2-F-S	151G0036	BMM-32 U-B-U
151-3746	BMRS-200 H4-K-S	151F2201	BMSY-100 E4-G-S	151F2329	BMSY-250 E2-F-S	151G0094	BMM-50 U-B-U

BMM Motor - Parts Assembly Diagram



BMM Motor - Parts Listing

#	Part Description	Qty per Motor
1	Screw	5
2	Dust Seal	1
3	Front Cover U: Circle Flange F: 2-Bolt	1
4	Shaft Seal	1
5	"O" Ring	1
6	Thrust Washer	1
7	Axial Needle Bearing	2
8	Key	1
9	Shaft B: 5/8" Straight Key C: 9-Tooth Spline	1
10	Housing	1
11	"O" Ring	4
12	Drive Link	1
13	Front Distributor	1
14	Stator	1
15	Rotor	1
16	End Distributor	1
17	Ball	2
18	Spring	2
19	End Cover U: Back Ports 1U: Side Ports	1
20	Screw	3
21	Drain Plug	1
22	Plug	1

Seal Kit Contents

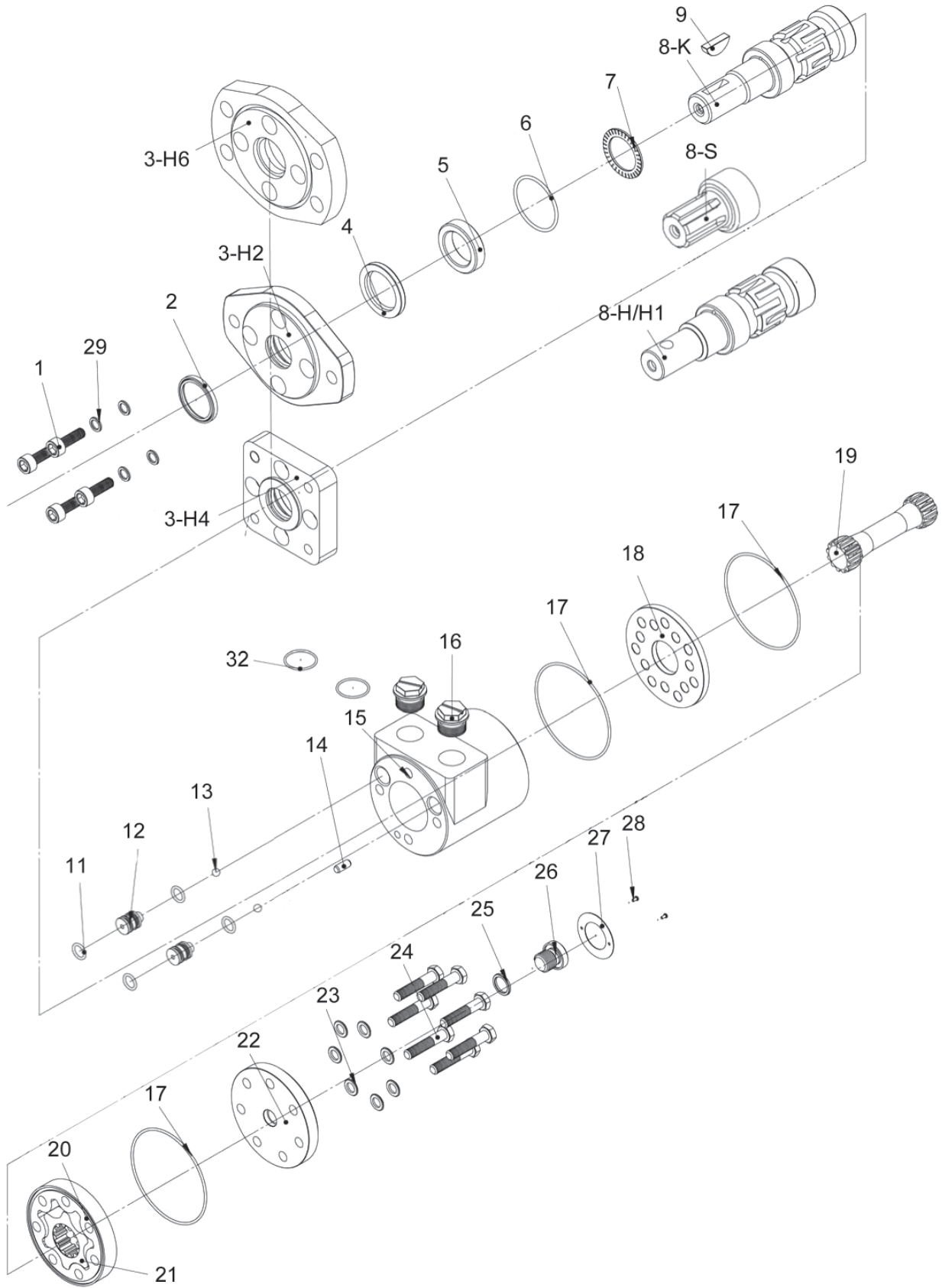
#	Part Description	Qty per Motor
2	Dust Seal	1
4	Shaft Seal	1
5	"O" Ring	1
11	"O" Ring	4

Tightening Torques

	Tightening (ft. lbs)
Displacement End	25
Flange End	12

Parts diagrams are provided for reference only. If a unit is disassembled, repaired or modified in any way by anyone other than Dynamic Fluid Components, the warranty is no longer valid.

BMPH Motor - Parts Assembly Diagram



BMPH Motor - Parts Listing

#	Part Description	Qty per Motor
1	Screws	4
2	Dust Seal	1
3	Front Cover H2: SAE "A" 2-Bolt H4: SAE "A" 4-Bolt H6: Magneto	1
4	Shaft Seal	1
5	Thrust Washer	1
6	"O" Ring	1
7	Axial Needle Bearing	2
8	Shaft K: 1" Woodruff Key H: 1" Parallel .40 dia. Cross Hole H1: 1" Parallel .31 dia. Cross Hole S: SAE 6B Spline	1
9	Parallel Key	0-1
11	"O" Ring	4
12	Check Valves	2
13	Balls	2
14	Pin	1
15	Housing	1
16	Plug	2
17	"O" Ring	3
18	Distributor Plate	1
19	Drive Link	1
20	Stator	1
21	Rotor	1
22	End Cover	1
23	Washers	7
24	Screws	7
25	Washer	1
26	Drain Plug	1
27	Name Plate	1
28	Rivet	2
29	Washers	4
32	"O" Rings	2

Seal Kit Contents

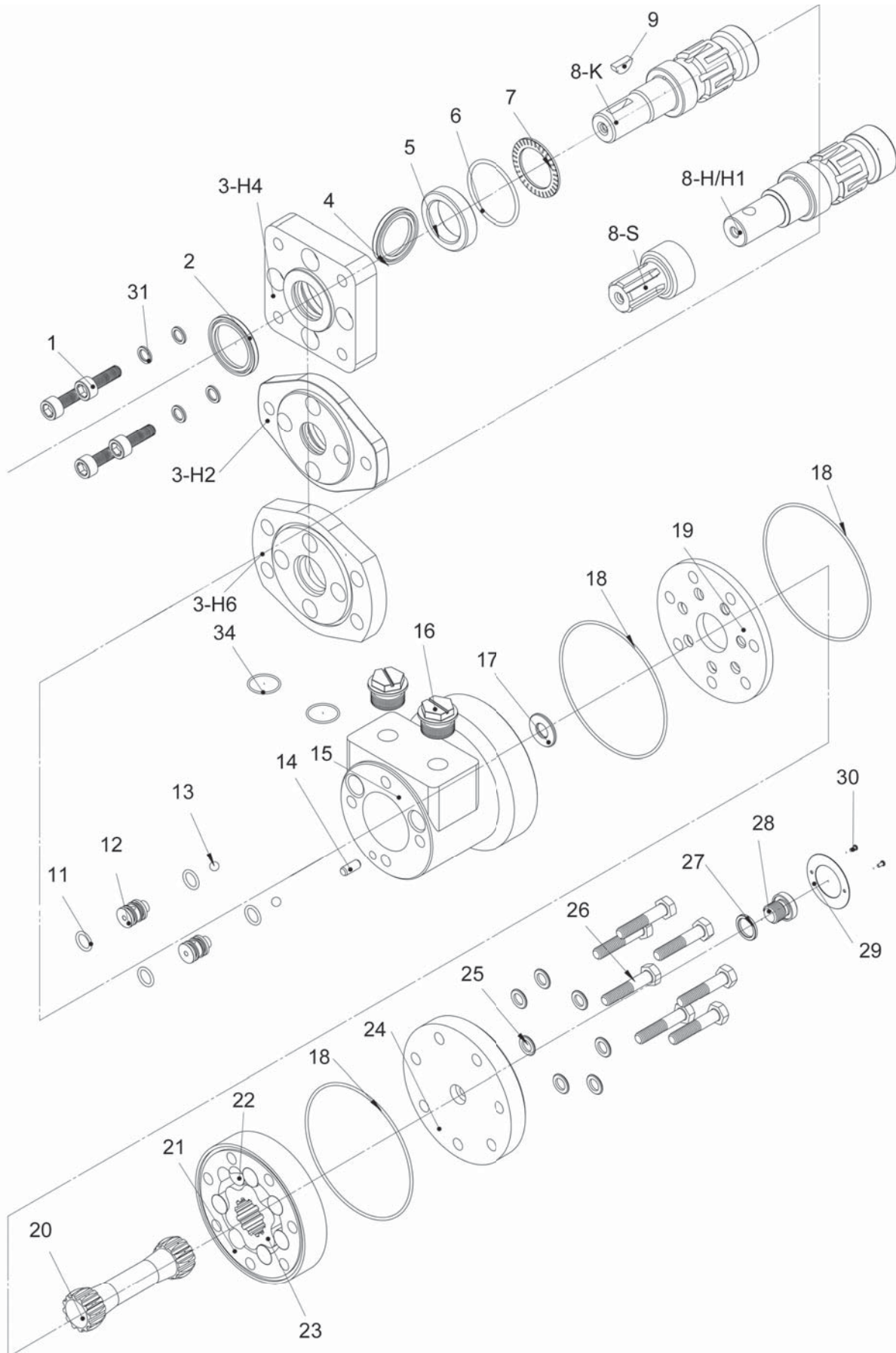
#	Part Description	Qty per Motor
2	Dust Seal	1
4	Shaft Seal	1
6	"O" Ring	1
11	"O" Ring	4
17	"O" Ring	3

Tightening Torques

	Tightening (ft. lbs)
Displacement End	30
Flange End	40

Parts diagrams are provided for reference only. If a unit is disassembled, repaired or modified in any way by anyone other than Dynamic Fluid Components, the warranty is no longer valid.

BMRS Motor - Parts Assembly Diagram



BMRS Motor - Parts Listing

#	Part Description	Qty per Motor
1	Screw	4
2	Dust Seal	1
3	Front Cover H2: SAE "A" 2-Bolt H4: SAE "A" 4-Bolt H6: Magneto	1
4	Shaft Seal	1
5	Thrust Washer	1
6	"O" Ring	1
7	Axial Needle Bearing	2
8	Shaft K: 1" Woodruff Key H: 1" Parallel .40 dia. Cross Hole H1: 1" Parallel .31 dia. Cross Hole S: SAE 6B Spline	1
9	Parallel Key	0-1
11	"O" Ring	4
12	Check Valves	2
13	Balls	2
14	Pin	1
15	Housing	1
16	Plug	2
17	Washer	1
18	"O" Ring	3
19	Distributor Plate	1
20	Drive Link	1
21	Stator	1
22	Roller	1
23	Rotor	1
24	End Cover	1
25	Washer	7
26	Screw	7
27	Washer	1
28	Drain Plug	1
29	Name Plate	1
30	Rivet	2
31	Washer	4
34	"O" Ring	2

Seal Kit Contents

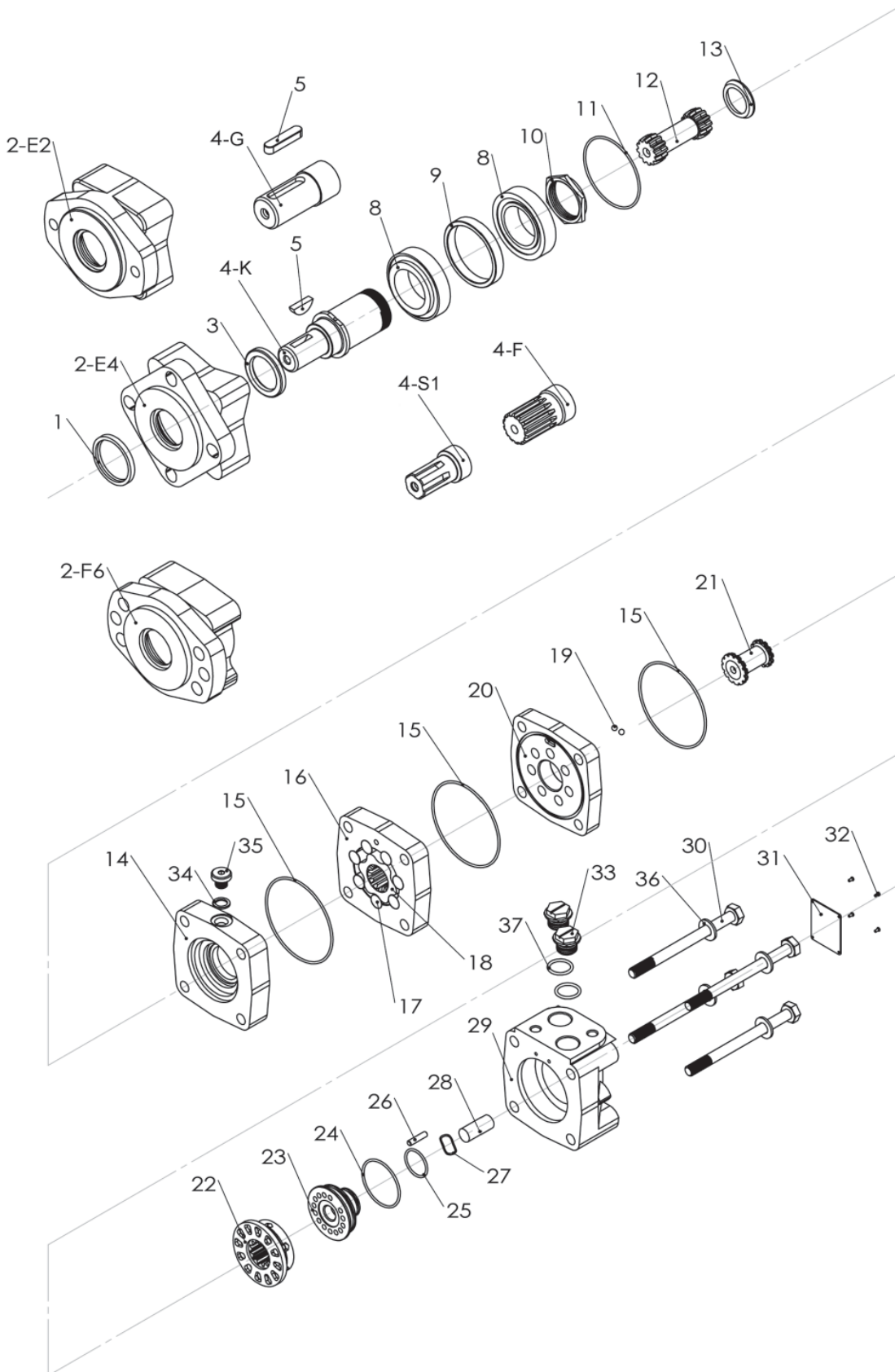
#	Part Description	Qty per Motor
2	Dust Seal	1
4	Shaft Seal	1
6	"O" Ring	1
11	"O" Ring	4
18	"O" Ring	3

Tightening Torques

	Tightening (ft. lbs)
Displacement End	30
Flange End	40

Parts diagrams are provided for reference only. If a unit is disassembled, repaired or modified in any way by anyone other than Dynamic Fluid Components, the warranty is no longer valid.

BMSY Motor - Parts Assembly Diagram



BMSY Motor - Parts Listing

#	Part Description	Qty per Motor
1	Dust Seal	1
2	Housing E2: SAE "A" 2-Bolt E4: SAE "A" 4-Bolt F6: Magneto WE: Wheel Mount	1
3	Shaft Seal	1
4	Shaft K: 1" Woodruff Key G: 1 1/4" Parallel Key S1: SAE 6B Spline F: 1 1/4" 14-tooth DP Spline SL: 6 Spline PTO	1
5	Key	0-1
8	Needle Bearing	2
9	Spacer Bushing	1
10	Lock Nut	1
11	"O" Ring	1
12	Drive Link	1
13	Butterfly Washer	1
14	Intermediate Plate	1
15	"O" Ring	2
16	Stator	1
17	Roller	1
18	Rotor	1
19	Ball	2
20	Balance Plate	1
21	Coupling	1
22	Distributor Plate	1
23	Channel Plate	1
24	"O" Ring	1
25	"O" Ring	1
26	Pin	1
27	Spring	1
28	Spacer	1
29	End Cover	1
30	Screw	4
31	Name Plate	1
32	Rivet	4
33	Plug	2
34	Washer	1
35	Drain Plug	1
36	Washer	4

Seal Kit Contents

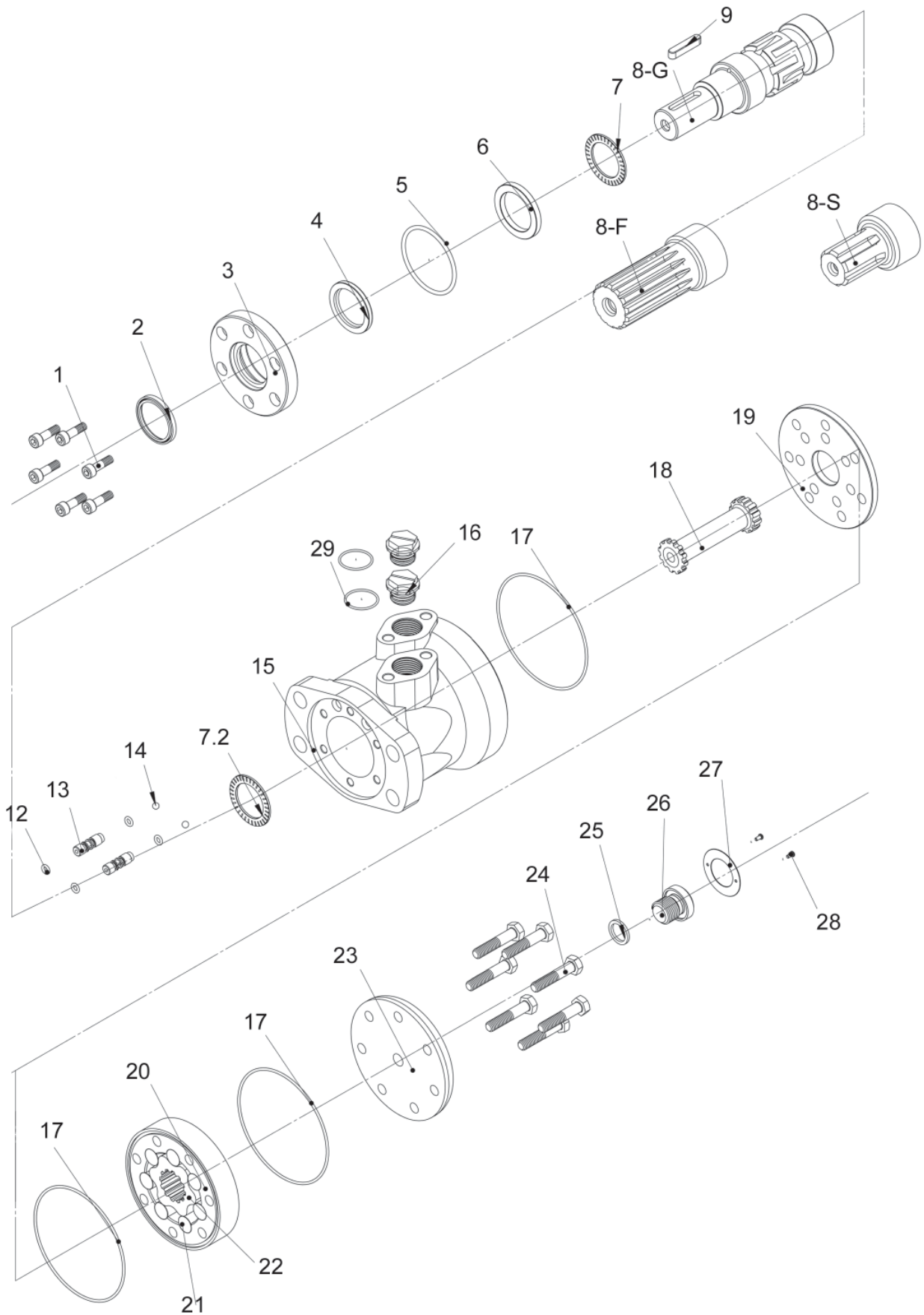
#	Part Description	Qty per Motor
1	Dust Seal	1
3	Shaft Seal	1
11	"O" Ring	1
15	"O" Ring	3
24	"O" Ring	1
25	"O" Ring	1
34	"O" Ring	2

Tightening Torques

	Tightening (ft. lbs)
Displacement End	60
Flange End	N/A

Parts diagrams are provided for reference only. If a unit is disassembled, repaired or modified in any way by anyone other than Dynamic Fluid Components, the warranty is no longer valid.

BMH Motor - Parts Assembly Diagram



BMH Motor - Parts Listing

#	Part Description	Qty per Motor
1	Screw	6
2	Dust Seal	1
3	Front Cover	1
4	Shaft Seal	1
5	"O" Ring	1
6	Thrust Washer	1
7	Axial Needle Bearing	1-2
8	Shaft G: 1 1/4" Parallel Key F: 1 1/4" 14-Tooth DP Spline S: SAE 6B Spline	1
9	Key	0-1
12	"O" Ring	4
13	Check Valve	2
14	Ball	2
15	Housing	1
16	Plug	2
17	"O" Ring	3
18	Drive Link	1
19	Distributor Plate	1
20	Stator	1
21	Roller	1
22	Rotor	1
23	End Cover	1
24	Screw	7
25	Washer	1
26	Drain Plug	1
27	Name Plate	1
28	Rivet	2
29	"O" Ring	2

Seal Kit Contents

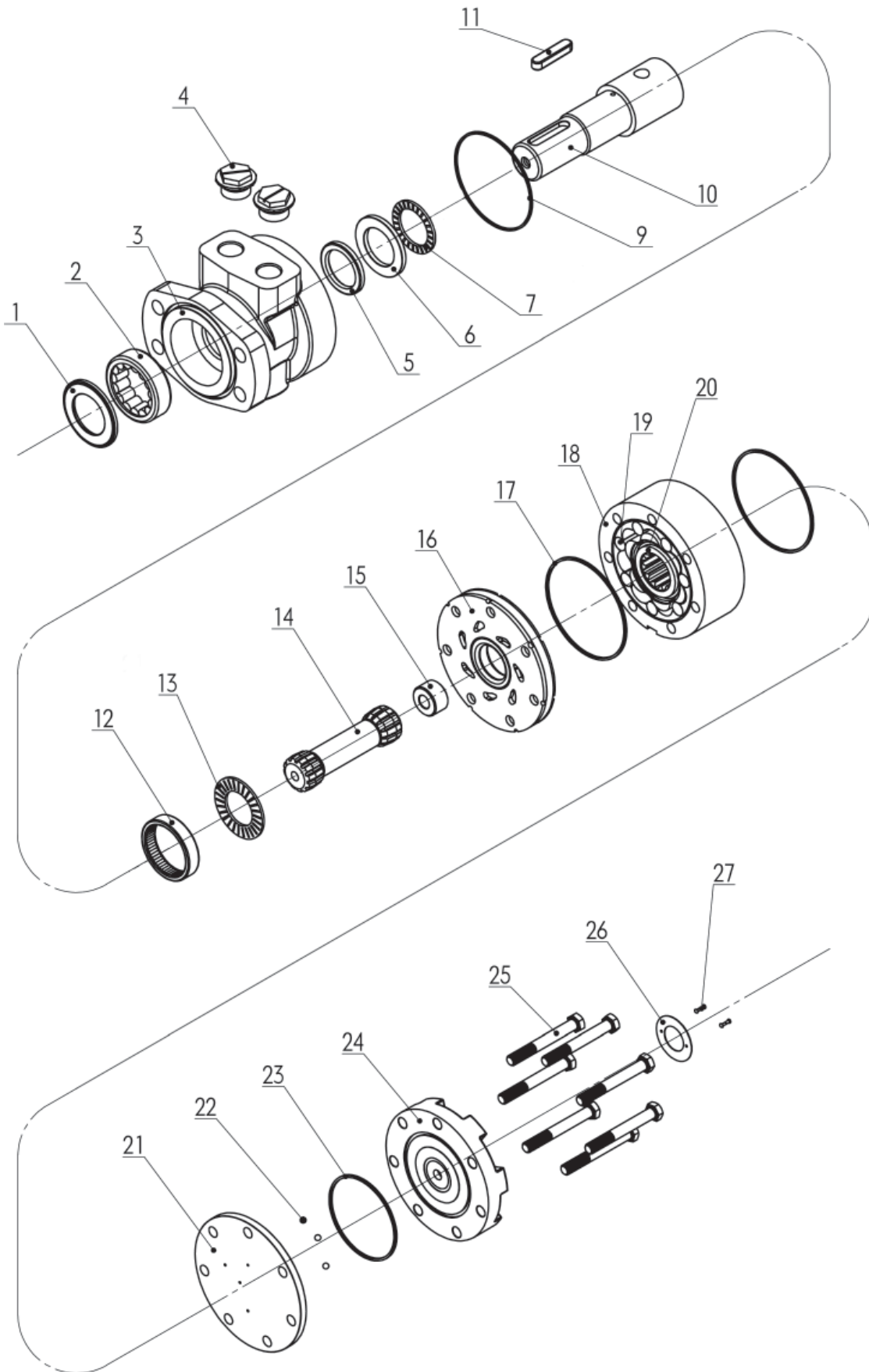
#	Part Description	Qty per Motor
2	Dust Seal	1
4	Shaft Seal	1
5	"O" Ring	1
12	"O" Ring	4
17	"O" Ring	3

Tightening Torques

	Tightening (ft. lbs)
Displacement End	40
Flange End	12

Parts diagrams are provided for reference only. If a unit is disassembled, repaired or modified in any way by anyone other than Dynamic Fluid Components, the warranty is no longer valid.

BMER-2 Motor - Parts Assembly Diagram



BMER-2 Motor - Parts Listing

#	Part Description	Qty per Motor
1	Dust Seal	1
2	Needle Bearing	1
3	Housing FS: Magneto Mount WS: Wheel Mount	1
4	Plugs	1
5	Shaft Seal	
6	Thrust Washer	1
7	Axial Needle Bearing	1
9	Housing Seal Ring	1
10	Shaft FD1: 14-Tooth Spline G2: 1 1/4" Keyed RW: 1" Keyed SW: 6B Spline T4: 1 1/4" Tapered G32: 1 1/2" Keyed T31: 1 1/2" Tapered	1
11	Key	1
12	Needle Bearing	1
13	Axial Needle Bearing	1
14	Drive Link	1
15	Washer	1
16	Manifold Plate	1
17	Plate Seal Ring	2
18	Stator	7
19	Roller	1
20	Rotor	1
21	Balance Plate	1
22	Ball	3
23	Plate Seal Ring	1
24	End Cover	1
25	Screw	7
26	Name Plate	1
27	Rivet	1

Seal Kit Contents

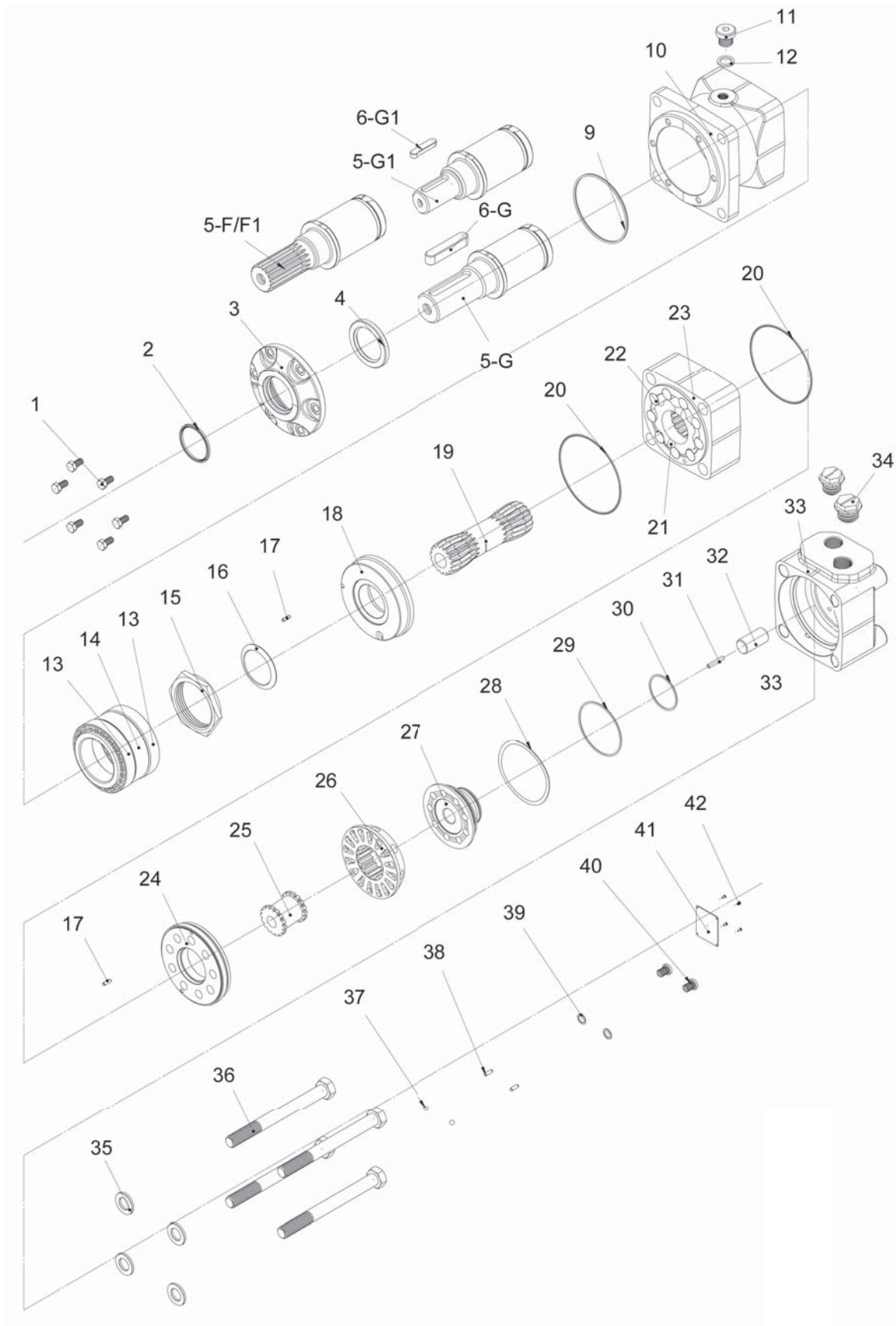
#	Part Description	Qty per Motor
1	Dust Seal	1
9	Housing Seal Ring	1
5	Shaft Seal	1
17	Plate Seal Ring	2
23	Plate Seal Ring	1

Tightening Torques

	Tightening (ft. lbs)
Displacement End	40
Flange End	N/A

Parts diagrams are provided for reference only. If a unit is disassembled, repaired or modified in any way by anyone other than Dynamic Fluid Components, the warranty is no longer valid.

BMT Motor - Parts Assembly Diagram



BMT Motor - Parts Listing

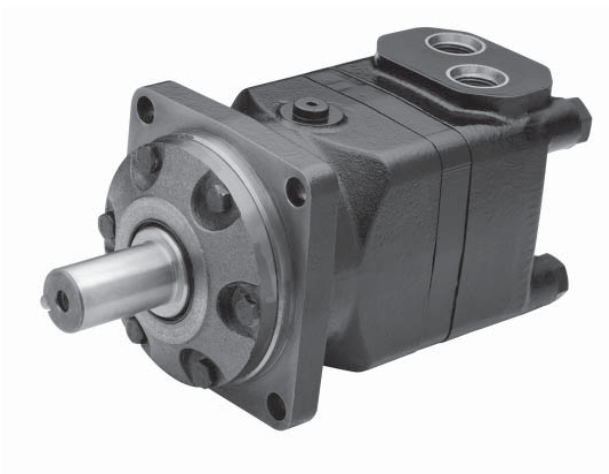
#	Part Description	Qty per Motor
1	Screw	6
2	Dust Seal	1
3	Front Cover	1
4	Shaft Seal	1
5	Shaft: F: 1 1/4" 14-tooth DP Spline F1: 1 1/2" 17-tooth DP Spline G: 1 1/2" Parallel Key G1: 1 1/4" Parallel Key	1
8	Washer	1
9	"O" Ring	1
10	Housing	1
11	Drain Plug	1
12	Washer	1
13	Needle Bearing	2
14	Spacer Bushing	1
15	Lock Nut	1
16	Butterfly Washer	1
17	Pin	1
18	Intermediate Plate	1
19	Drive Link	1
20	"O" Ring	2
21	Rotor	1
22	Roller	9
23	Stator	1
24	Balance Plate	1
25	Coupling	1
26	Distributor Plate	1
27	Channel Plate	1
28	Spring	1
29	"O" Ring	1
30	"O" Ring	1
31	Pin	1
32	Spacer	1
33	End Cover	1
34	Plug	2
35	Washer	4
36	Screw	4
37	Ball	2
38	Spring	2
39	Washer	2
40	Drain Plug	2
41	Name Plate	1
42	Rivet	4
43	Spacer	1

Seal Kit Contents

#	Part Description	Qty per Motor
2	Dust Seal	1
4	Shaft Seal	1
9	"O" Ring	1
20	"O" Ring	2
29	"O" Ring	1
30	"O" Ring	1

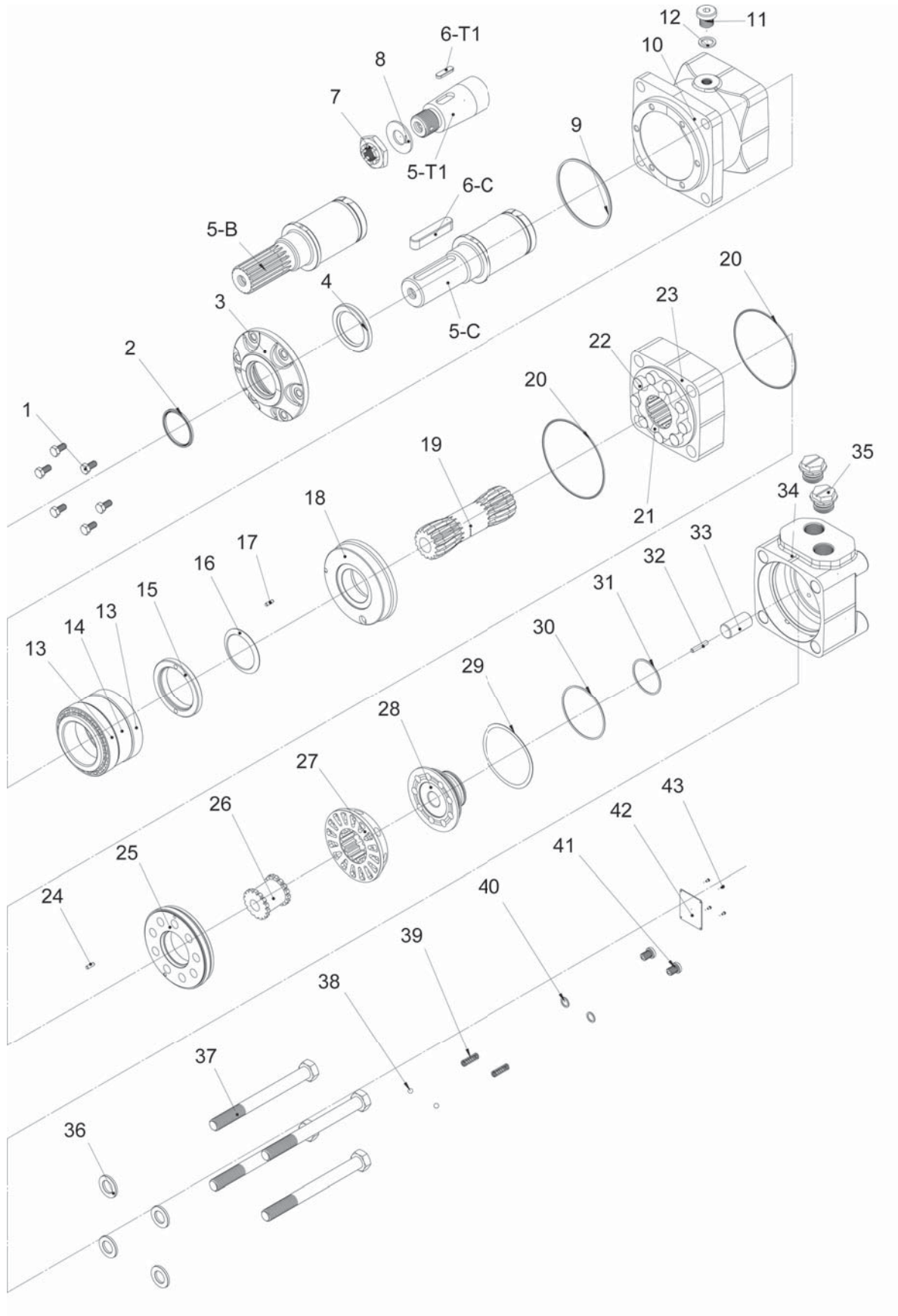
Tightening Torques

	Tightening (ft. lbs)
Displacement End	120
Flange End	25



Parts diagrams are provided for reference only. If a unit is disassembled, repaired or modified in any way by anyone other than Dynamic Fluid Components, the warranty is no longer valid.

BMV Motor - Parts Assembly Diagram



BMV Motor - Parts Listing

#	Part Description	Qty per Motor
1	Screws	6
2	Dust Seal	1
3	Front Cover	1
4	Shaft Seal	1
5	Shaft: B: 2 1/8" 16-tooth Spline C: 2 1/4" Parallel Key T1: 2 1/4" Tapered	1
6	Parallel Key	0-1
7	Castellated Nut	0-1
8	Washer	0-1
9	"O" Ring	1
10	Housing	1
11	Drain Plug	1
12	Washer	1
13	Needle Bearings	2
14	Spacer Bushing	1
15	Lock Nut	1
16	Butterfly Washer	1
17	Pin	1
18	Intermediate Plate	1
19	Drive Link	1
20	"O" Ring	2
21-23	Gerotor Set	1
24	Pin	1
25	Balance Plate	1
26	Coupling	1
27	Distributor Plate	1
28	Channel Plate	1
29	Spring	1
30	"O" Ring	1
31	"O" Ring	1
32	Pin	1
33	Spacer	1
34	End Cover	1
35	Plugs	2
36	Washer	4
37	Screw	4
38	Ball	2
39	Spring	2
40	Washer	2
41	Drain Plug	2
42	Name Plate	1
43	Rivets	4

Seal Kit Contents

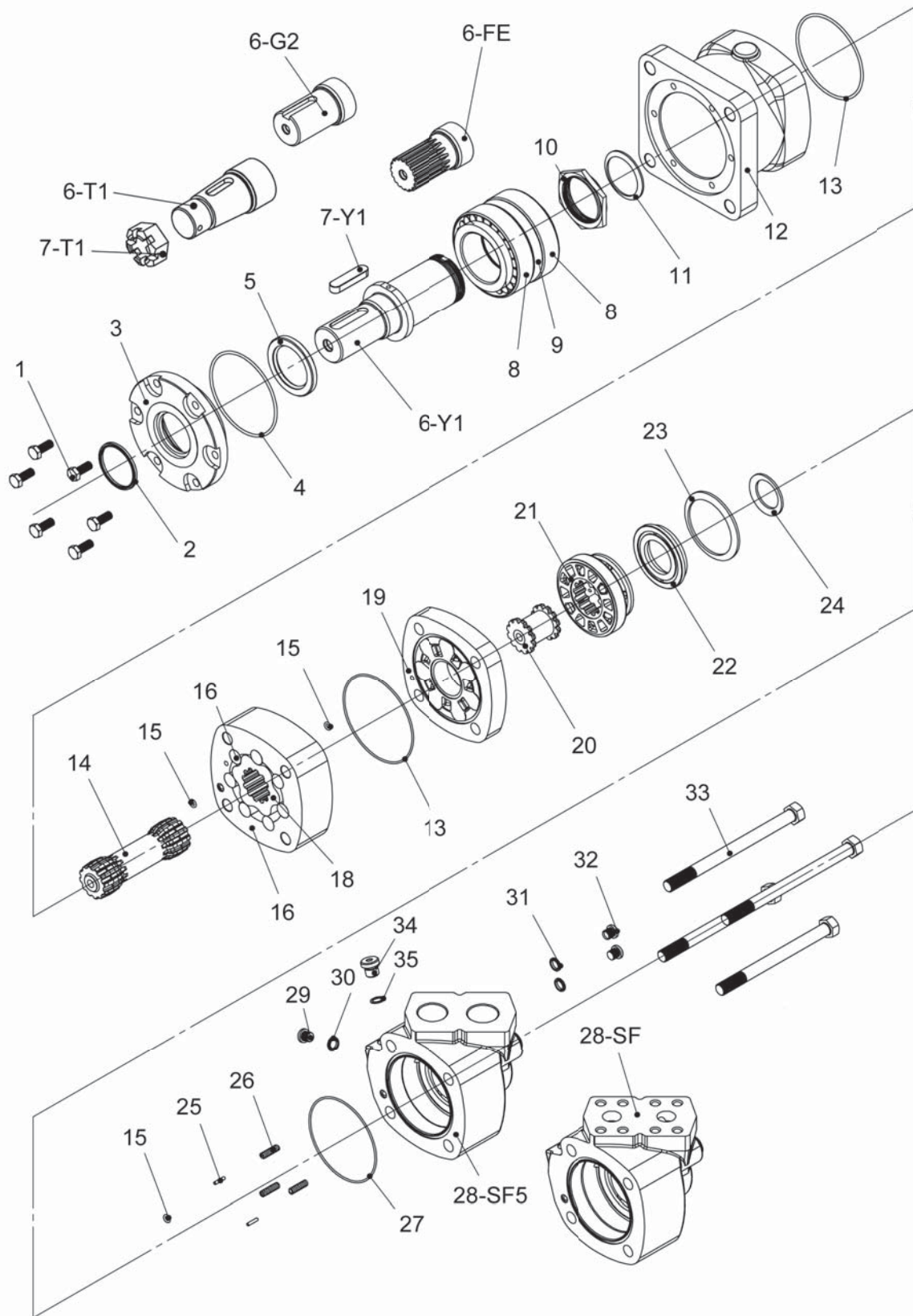
#	Part Description	Qty per Motor
2	Dust Seal	1
4	Shaft Seal	1
9	"O" Ring	1
20	"O" Ring	2
30	"O" Ring	1
31	"O" Ring	1

Tightening Torques

	Tightening (ft. lbs)
Displacement End	140
Flange End	25

Parts diagrams are provided for reference only. If a unit is disassembled, repaired or modified in any way by anyone other than Dynamic Fluid Components, the warranty is no longer valid.

BMK6 Motor - Parts Assembly Diagram



BMK6 Motor - Parts Listing

#	Part Description	Qty per Motor
1	Screw	6
2	Dust Seal	1
3	Front Cover	1
4	"O" Ring	1
5	Shaft Seal	1
6	Shaft G2: 1 1/2" Keyed T1: 1 1/4" Keyed FE: 17-Tooth Spline Y1: 40mm Parallel Key	1
7	Key or Castellated Nut	0-1
8	Needle Bearing	2
9	Spacer Bushing	1
10	Lock Nut	1
11	Butterfly Washer	1
12	Housing	1
13	"O" Ring	1
14	Drive Link	1
15	"O" Ring	3
16	Stator	1
17	Roller	7
18	Rotor	1
19	Balance Plate	1
20	Coupling	1
21	Distributor Plate	1
22	Channel Plate	1
23	Seal	1
24	Seal	1
25	Pin	3
26	Spring	3
27	"O" Ring	1
28	End Cover	1
29	Drain Plug	3
30	Washer	3
31	Ball	2
32	Spring	2
33	Screw	4
34	Drain Plug	1
35	Washer	1

Seal Kit Contents

#	Part Description	Qty per Motor
2	Dust Seal	1
4	"O" Ring	1
5	Shaft Seal	1
13	"O" Ring	2
15	"O" Ring	3
23	Seal	1
24	Seal	1
27	"O" Ring	1

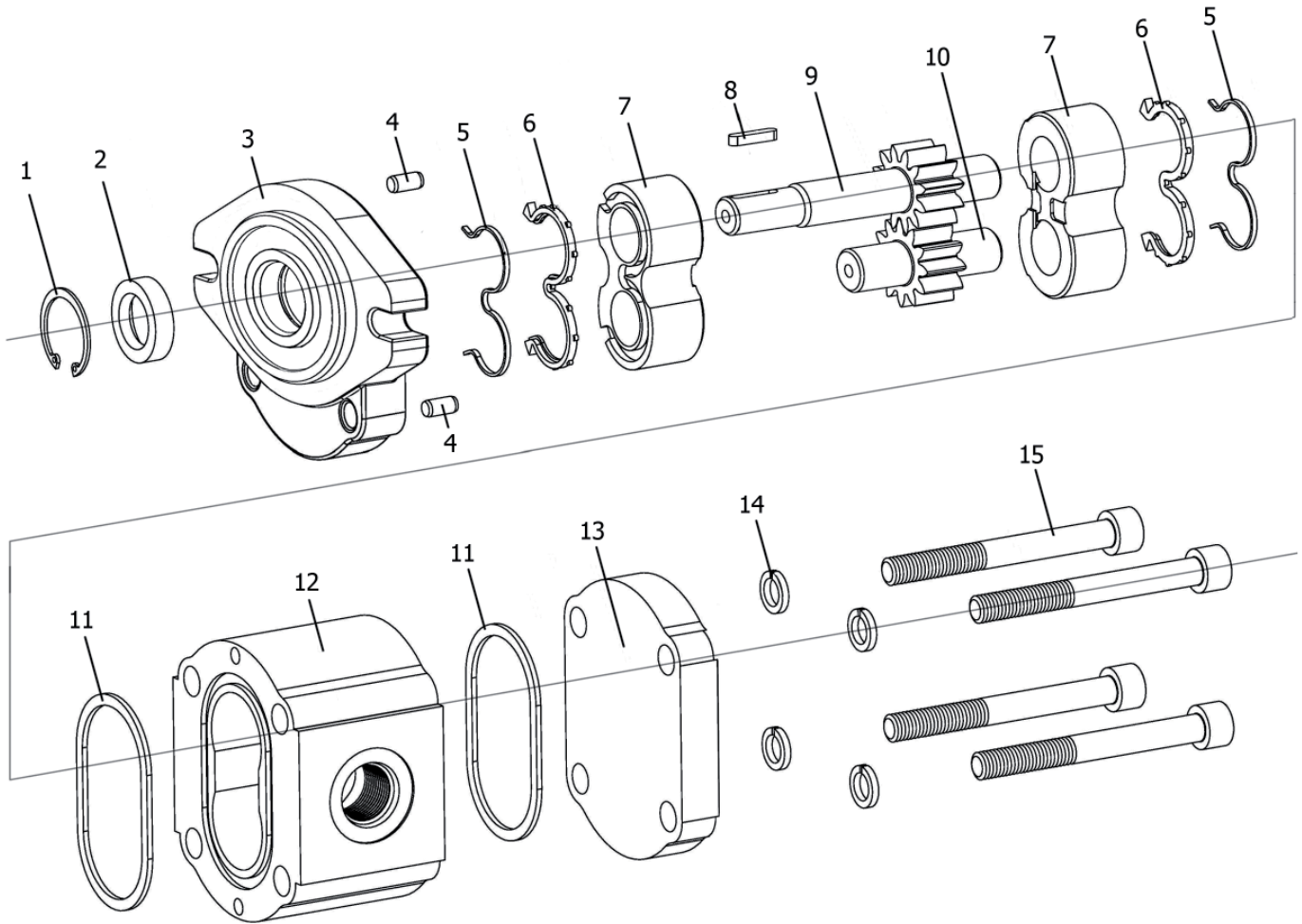
Tightening Torques

	Tightening (ft. lbs)
Displacement End	110
Flange End	25

Parts diagrams are provided for reference only. If a unit is disassembled, repaired or modified in any way by anyone other than Dynamic Fluid Components, the warranty is no longer valid.

F10 Pump - Parts Assembly Diagram

Parts diagrams are provided for reference only. If a unit is disassembled, repaired or modified in any way by anyone other than Dynamic Fluid Components, the warranty is no longer valid.



Parts Listing

#	Part Description	Qty per Pump
1	Shaft Ring	1
2	Shaft Seal	1
3	Front Cover	1
4	Pin	1
5	E Ring	2
6	E Seal	2
7	Bushing	2
8	Key	1
9	Drive Gear P: 1/2" Keyed Shaft	1
10	Driven Gear	1
11	Case Seal	2
12	Housing	1
13	Rear Cover	1
14	Washer	4
15	Housing Bolt	4

Seal Kit Contents

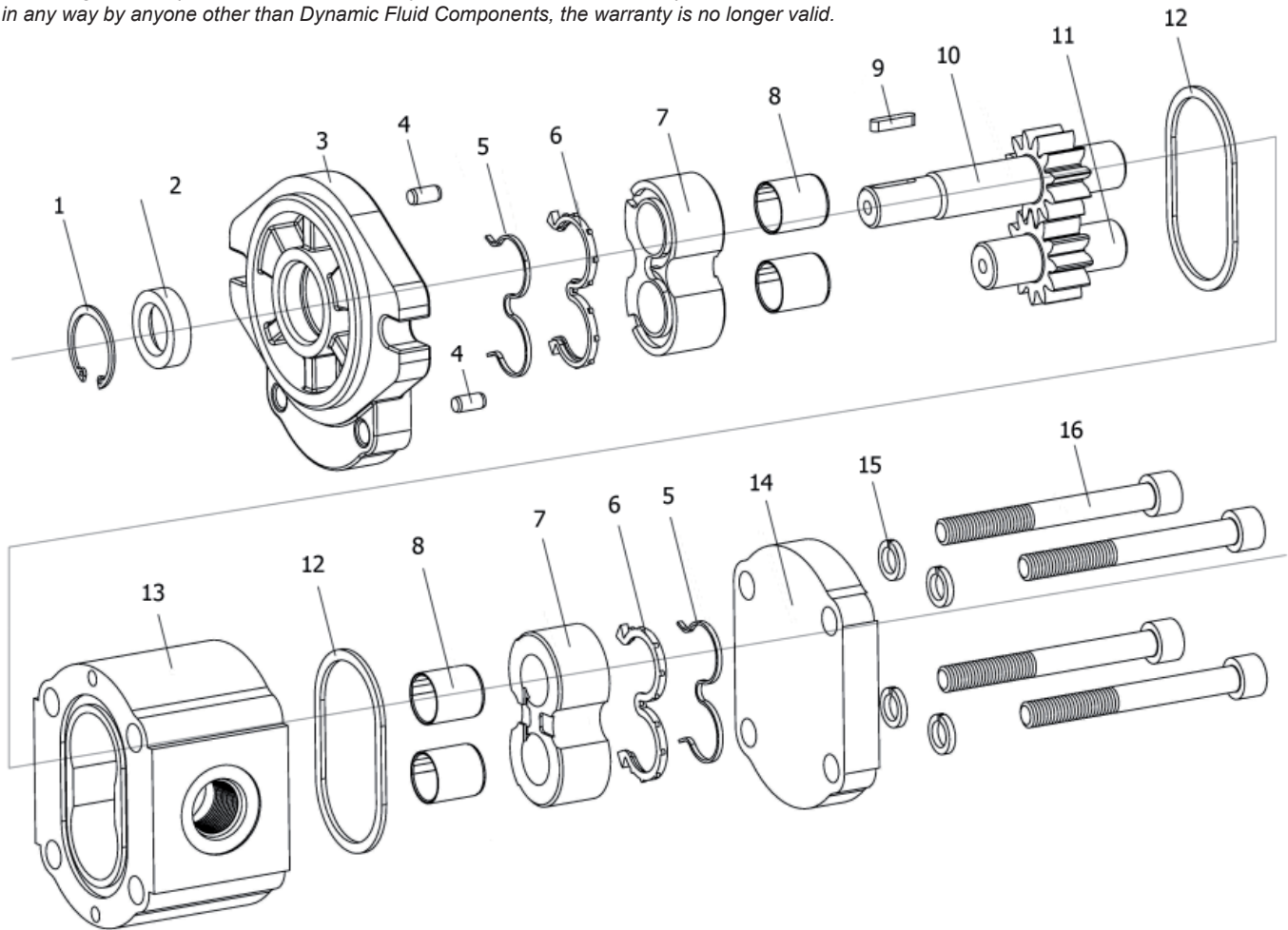
#	Part Description	Qty
2	Shaft Seal	1
5	E Ring (Teflon)	2
6	E Seal	2
11	Case Seal	2

Tightening Torque

Tightening (ft. lbs)
30

F20 Pump - Parts Assembly Diagram

Parts diagrams are provided for reference only. If a unit is disassembled, repaired or modified in any way by anyone other than Dynamic Fluid Components, the warranty is no longer valid.



Parts Listing

#	Part Description	Qty per Pump
1	Shaft Ring	1
2	Shaft Seal	1
3	Front Cover	1
4	Pin	1
5	E Ring	2
6	E Seal	2
7	Bushing	2
8	DU Bearing	4
9	Key	1
10	Drive Gear P: 1/2" Keyed Shaft P1: 3/4" Keyed Shaft S9: 9-tooth Spline S11: 11-tooth Spline	1
11	Driven Gear	1
12	Case Seal	2
13	Housing	1
14	Rear Cover	1
15	Washer	4
16	Housing Bolt	4

Seal Kit Contents

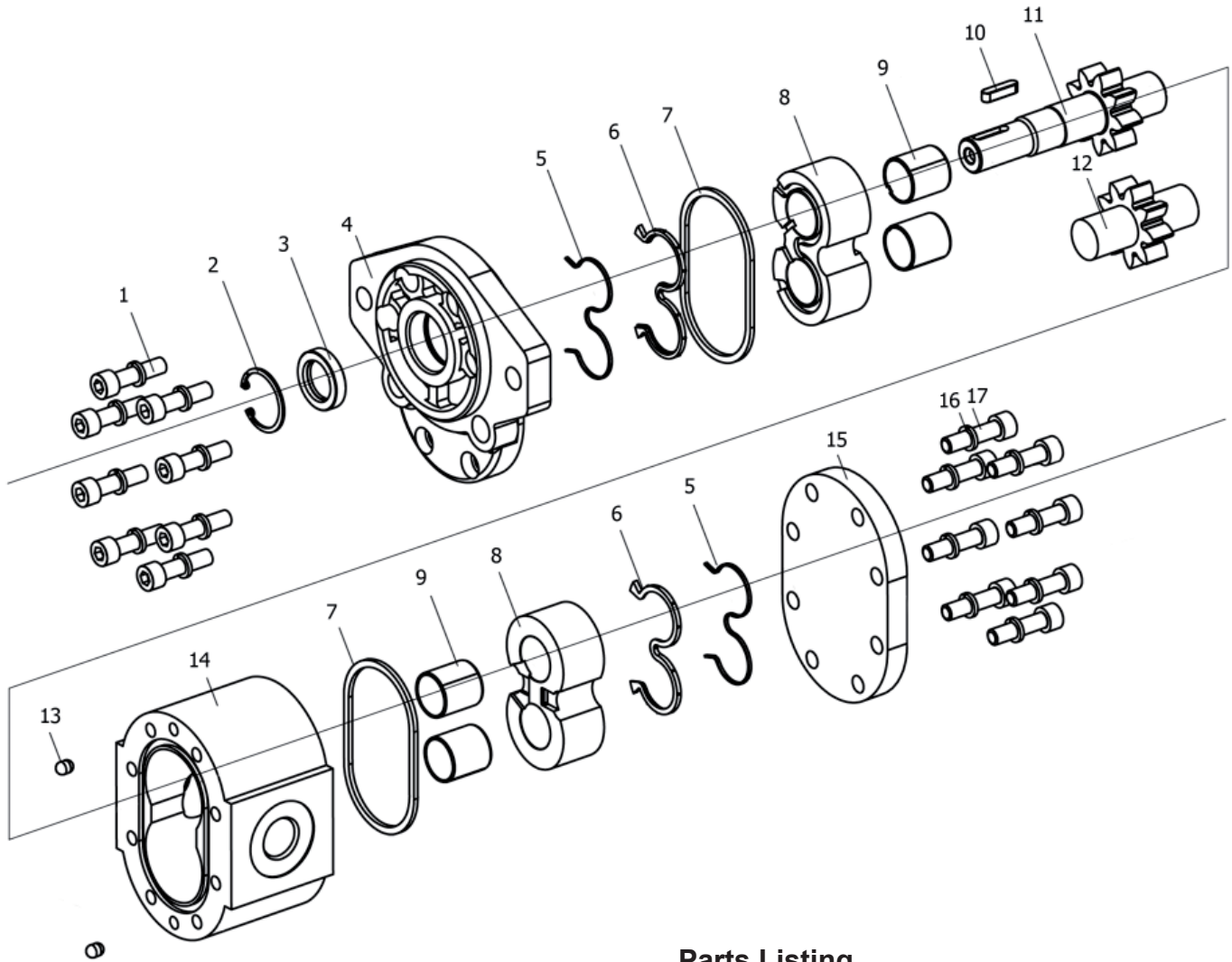
#	Part Description	Qty
2	Shaft Seal	1
5	E Ring (Teflon)	2
6	E Seal	2
12	Case Seal	2

Tightening Torque

Tightening (ft. lbs)
40

F25 Pump - Parts Assembly Diagram

Parts diagrams are provided for reference only. If a unit is disassembled, repaired or modified in any way by anyone other than Dynamic Fluid Components, the warranty is no longer valid.



Seal Kit Contents

#	Part Description	Qty
3	Shaft Seal	1
5	E Ring (Teflon)	2
6	E Seal	2
7	Case Seal	2

Tightening Torque

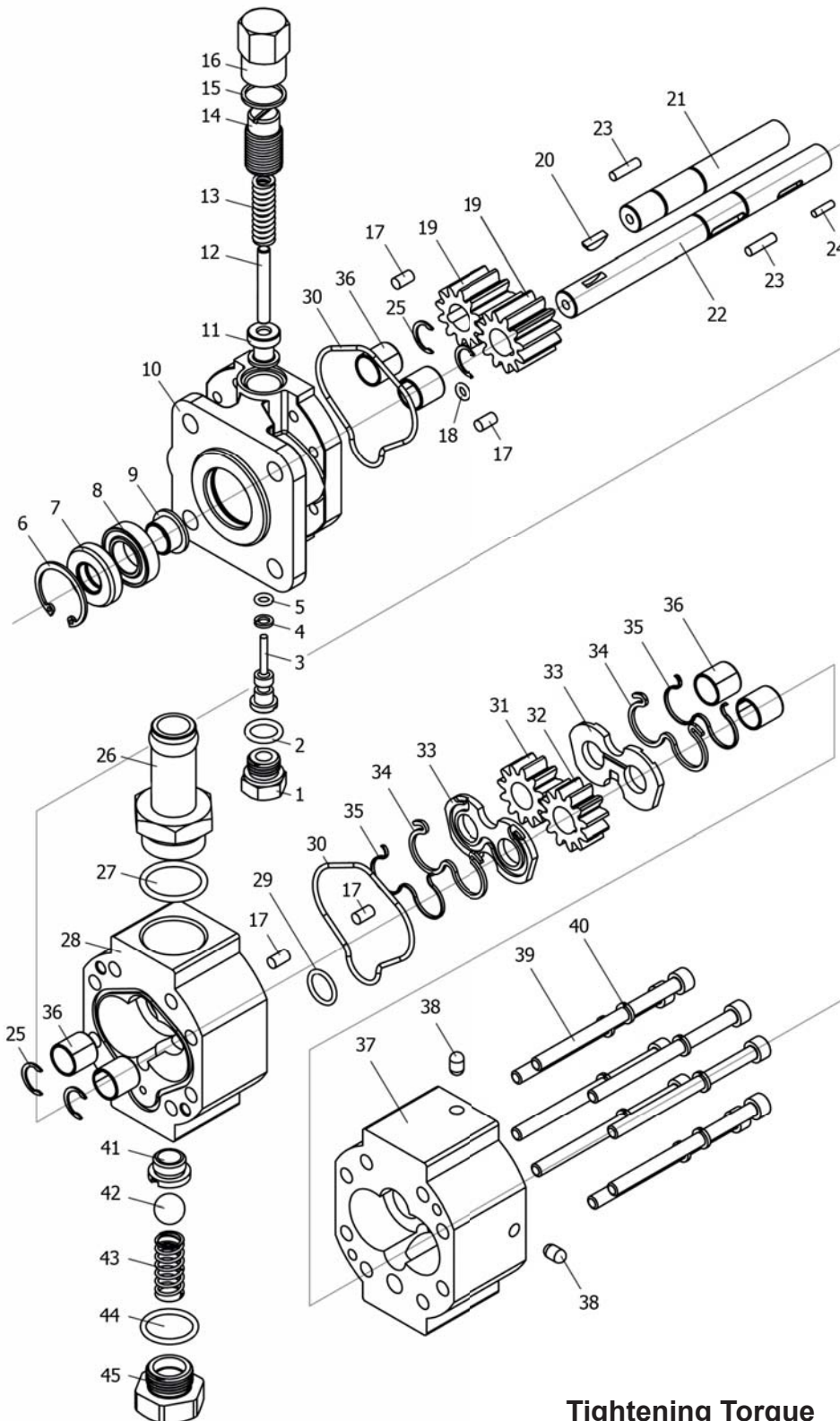
Tightening (ft. lbs)
40

Parts Listing

#	Part Description	Qty per Pump
1	Flange Bolts	8
2	Shaft Ring	1
3	Shaft Seal	1
4	Front Cover	1
5	E Ring	2
6	E Seal	2
7	Case Seal	2
8	Bushing	4
9	DU Bearing	1
10	Key	1
11	Drive Gear P: 7/8" Keyed Shaft S13: 13-tooth Spline	1
12	Driven Gear	2
13	Pin	1
14	Housing	1
15	Rear Cover	1
16	Washer	16
17	Housing Bolts	8

CBN Pump (8-16 gpm) - Parts Diagram

Parts diagrams are provided for reference only. If a unit is disassembled, repaired or modified in any way by anyone other than Dynamic Fluid Components, the warranty is no longer valid.



Parts Listing

#	Part Description	Qty
1	Relief Valve Plug	1
2	O-Ring	1
3	Overload Bar	1
4	Snap Ring	1
5	O-Ring	1
6	Snap Ring	1
7	Shaft Seal	1
8	Bearing	1
9	Bushing	1
10	Front Cover	1
11	Spool	1
12	Carrying Shaft	1
13	Relief Valve Spring	1
14	Relief Valve Controller	1
15	Washer	1
16	Relief Valve Plug	1
17	Pin	4
18	O-Ring	1
19	Gear	2
20	Woodruff Key	1
21	Driven Shaft	1
22	Drive Shaft	1
23	Pin	2
24	Pin	1
25	Snap Ring	4
26	Front Pump Body	1
27	O-Ring	1
28	Inlet Pipe	1
29	O-Ring	1
30	O-Ring	2
31	Gear	1
32	Gear	1
33	Side Plate	2
34	E Seal	2
35	Back-Up Teflon	2
36	DU Bearing	6
37	Rear Pump Body	1
38	Plug	2
39	Bolt	8
40	Washer	8
41	Check Valve Set	1
42	Steel Ball	1
43	Check Valve Spring	1
44	O-Ring	1
45	Check Valve Plug	1

Seal Kit Contents

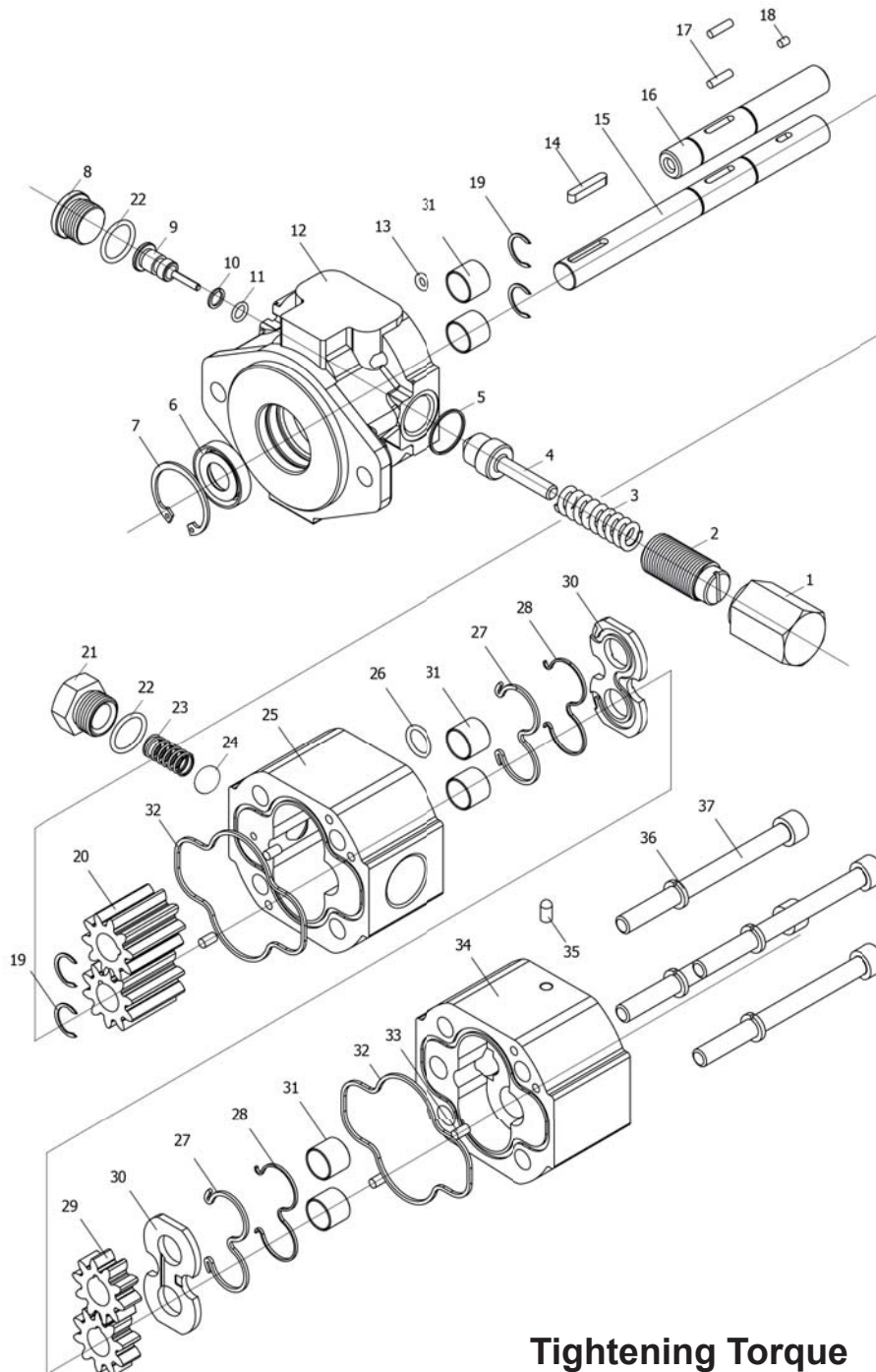
#	Part Description	Qty
2	O-Ring	1
4	Snap Ring (white)	1
5	O-Ring	1
7	Shaft Seal	1
18	O-Ring	1
29	O-Ring	1
30	O-Ring	2
34	E Seal	2
35	Back-Up Teflon	2
44	O-Ring	1

Tightening Torque

Tightening (ft. lbs)
10

CBN Pump (22-28 gpm) - Parts Diagram

Parts diagrams are provided for reference only. If a unit is disassembled, repaired or modified in any way by anyone other than Dynamic Fluid Components, the warranty is no longer valid.



Tightening Torque

Tightening (ft. lbs)

40

Parts Listing

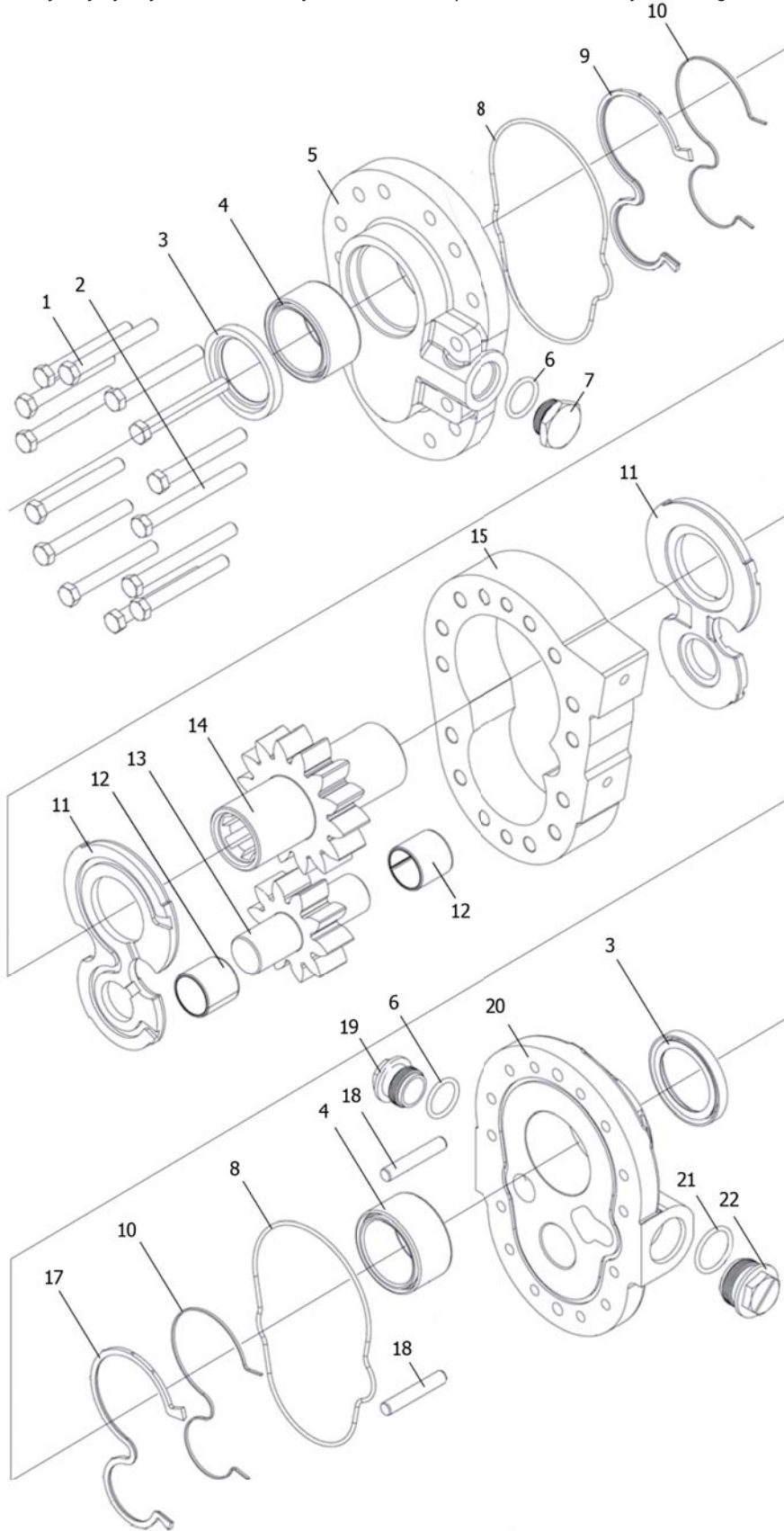
#	Part Description	Qty per Pump
1	Relief Valve Nut	1
2	Relief Valve Bolt	1
3	Relief Valve Spring	1
4	Relief Valve Spool	1
5	Seal Ring	1
6	Shaft Seal	1
7	Retaining Ring	1
8	Relief Valve Plug	1
9	Overload Rod	1
10	Retaining Ring	1
11	O-Ring	1
12	Front Pump Cover	1
13	O-Ring	1
14	Key	1
15	Drive Shaft	1
16	Driven Shaft	1
17	Pin	2
18	Pin	1
19	Retaining Ring	4
20	Gear	2
21	Check Valve Plug	1
22	O-Ring	2
23	Check Valve Spring	1
24	Steel Ball	1
25	Front Pump Body	1
26	O-Ring	1
27	E Seal	2
28	Back-Up Teflon	2
29	Gear	2
30	Side Plate	2
31	DU Bearing	6
32	Seal	2
33	Pin	4
34	Rear Pump Body	1
35	Plug	1
36	Washer	4
37	Bolt	4

Seal Kit Contents

#	Part Description	Qty per Pump
6	Shaft Seal	1
10	Retaining Ring (white)	1
11	O-Ring (green)	1
13	O-Ring (black)	1
19	Retaining Clip	4
22	O-Ring	2
26	O-Ring	1
27	E Seal	2
28	Back-Up Teflon	2
32	Seal	2

PTO Pump (Side Ported) - Parts Diagram

Parts diagrams are provided for reference only. If a unit is disassembled, repaired or modified in any way by anyone other than Dynamic Fluid Components, the warranty is no longer valid.



Parts Listing

#	Part Description	Qty per Pump
1	Cap Screw	12
2	Cap Screw	2
3	Shaft Seal	2
4	Shaft Bearing	2
5	Front Cover	1
6	O-Ring	2
7	Plug	1
8	O-Ring	2
9	E Seal	1
10	Protector	2
11	Wear Plate	1
12	Idler Gear Assembly	2
13	Driven Gear	1
14	Drive Gear	1
15	Body	1
16	Wear Plate	1
17	E Seal	1
18	Pin	2
19	Plug II	1
20	Rear Cover	1
21	O-Ring	1
22	Plug I	1

Seal Kit Contents

#	Part Description	Qty per Pump
3	Shaft Seal	2
6	O-Ring	2
8	O-Ring	2
9	E Seal	1
10	Protector	2
17	E Seal	1
21	O-Ring	2

Tightening Torque

Tightening (ft. lbs)
36

Metric Conversions

PRESSURES

Common catalog PRESSURES and corresponding value in bar, kilopascals and kilograms per square inch.

psi	Bar	kPa	kg/cm ²
.50	.034	3.44	.0352
1.00	.069	6.89	.0703
1.25	.086	8.62	.0879
2	.138	13.79	.1406
5	.345	34.48	.3515
10	.699	69.85	.7030
15	1.034	103.43	1.0545
20	1.379	137.90	1.4060
25	1.724	172.38	1.7500
30	20.69	206.85	2.1090
35	2.413	241.33	2.4605
40	2.758	275.80	2.8120
50	3.448	344.75	3.5150
60	4.137	413.70	4.2180
70	4.837	482.65	4.9210
80	5.516	551.60	5.6240
90	6.206	620.55	6.3270
100	6.895	689.50	7.0300
125	8.619	861.88	8.7875
150	10.343	1034.25	10.5450
175	12.066	1206.63	12.3025
200	13.790	1379.00	14.0600
250	17.238	1723.75	17.5750
275	18.961	1896.13	19.3325
300	20.685	2068.50	21.0900
350	24.133	2413.25	24.6050
400	27.580	2758.00	28.1200
500	34.475	3447.50	35.1500
600	41.370	4137.00	42.1800
750	51.713	5171.25	52.7250
1000	68.950	6895.00	70.3000
1500	103.425	10342.50	105.4500
1900	131.005	13100.50	133.5700
2200	151.690	15169.00	154.6600

COMMON EQUIVALENTS

Common English Unit and how to obtain the International Organization of Standardization (ISO) equivalent unit.

English Unit	Multiply by	To Obtain ISO Unit
gallon (U.S. liquid)	3.78500	liter (l)
cubic foot (foot ³)	.02832	cubic meter (meter ³)
ounce (oz)	28.35000	gram
pound (lb)	.45360	kilogram (kg)
inch (in)	25.40000	millimeter (mm)
Foot	.30480	meter (m)
psiG	.06895	bar
Inches of Water	.00249	bar
Inches of Mercury	.03386	bar
psiG	6.89500	kilopascal (kPa)
Inches of Water	.24900	kilopascal (kPa)
Inches of Mercury	3.38600	kilopascal (kPa)
std. cubic feet/hour (SCFH)	.00786	cubic decimeter normalized/second (dm ³ /s)
gallons/minute (gpm)	3.78500	liters/minute (l/m)

COMMON EQUIVALENTS

Common catalog ORIFICE sizes and ISO equivalents in mm.

inches	mm	inches	mm
3/64 (.0469)	1.19	7/16 (.4375)	11.11
1/16 (.0625)	1.59	1/2 (.5000)	12.70
5/64 (.0781)	1.98	5/8 (.6250)	15.88
3/32 (.0937)	2.38	11/16 (.6875)	17.46
1/8 (.1250)	3.18	3/4 (.7500)	19.05
5/32 (.1562)	3.97	1 (1.000)	25.40
11/64 (.1719)	4.37	1 1/8 (1.125)	28.58
3/16 (.1875)	4.76	1 1/4 (1.250)	31.75
7/32 (.2187)	5.55	1 1/2 (1.500)	38.10
1/4 (.2500)	6.35	1 3/4 (1.750)	44.45
9/32 (.2812)	7.14	2 (2.000)	50.80
5/16 (.3125)	7.94	3 (3.000)	76.20

SUGGESTED PRODUCT COMPATIBILITY GUIDE

Bronze

acetone	butanol	cuprous oxide	ethylene glycol	glycerine	oil (lubricating)	sea water
acetylene	butyric acid	dextrine	eucalyptol	kerosene	oil (refined)	tanning liquors
alcohol	calcium chloride	ethers	formaldehyde	lacquers	oxygen	toluene
beer	calcium hydroxide	ethyl acetate	freon	lysol	paraffin	water
benzine	carbon dioxide (dry)	ethyl cellulose	gallic acid	magnesium sulfate	potassium chloride	whiskey
benzol	casein	ethylene	gas, illuminating	methyl salicylate	prestone	
bordeaux mixture	chloroform	ethylene dibromide	gasoline	naphtha	proxylin	
butane	coal gas	ethylene dichloride	glucose	nickel acetate	salicylic acid	

Steel

acetone	ammonium phosphate	calcium hydroxide	ethers	magnesium sulfate	potassium sulfate	sulfur dioxide (dry)
acetylene	benzine	carbon bisulfide	gasoline (refined)	mercury	sodium carbonate	sulfuric (concentrated to 75%)
alcohol	benzol	carbon dioxide (dry)	glucose	methyl chloride	sodium hydroxide	toluene
ammonium carbonate	benzol	chloroform	glycerine	nitrogen	sodium nitrate	vegetable oils
ammonium hydroxide	benzyl alcohol	coal gas	derosene	pitric acid (dry)	sodium sulfate	
	butane	cottonseed oil	magnesium hydroxide	potassium chloride	sodium sulfide	
	butanol	creosole (crude)		potassium cyanide	sodium sulfite	

316 Stainless Steel

acetic acid	butane	ferric nitrate	lox	photographic solutions	silver nitrate	vinegar
acetic anhydride	calcium bisulfite	ferric sulfate	nitric acid (pure)	pickling solutions	sodium cyanide	vegetable oils
alums	carbon disulfide	hydrocyanic acid	nitrous acid	pitric acid	sodium peroxide	wines
aluminum sulfate	chromic acid	hydrogen	nitrous oxide	potassium permangante	sodium phosphate	
ammonia	citric acid	hydrogen peroxide	oxygen		sulfur dioxide	
bleach liquors	copper sulfate	lactic acid	phosphoric acid		sulfurous acid	



FLUID COMPONENTS, INC.

Terms and Conditions

PAYMENT TERMS

Net 30 days. Automatic C.O.D. after 60 days without prior notification, FOB West Union, SC.

WARRANTY

Seller warrants the items sold hereunder shall be free from defects in materials or workmanship for a period of one (1) year from the date of shipment. This warranty comprises the entire warranty pertaining to items provided hereunder. Seller makes no other warranty, guarantee or representation of any kind. If the buyer disassembles, repairs or modifies the unit in any way warranty is no longer valid. All returns must be accompanied by our Return Authorization Form. Dynamic Fluid Components, Inc. is not responsible for material returned without authorization.

RETURNED GOODS

Dynamic Fluid Components, Inc. reserves the right to accept material back at our discretion. All returns must be accompanied by our Return Authorization Form. Dynamic Fluid Components, Inc. is not responsible for material returned without authorization. Material may be returned for credit less a 25% restocking fee with an order of equal value or less a 50% restocking fee without an order of equal value provided materials is in saleable condition and freight is pre-paid. All returns for restock must be accompanied by a copy of the original invoice, otherwise items are assumed to have been purchased at the maximum discount and credit is issued accordingly.

CREDIT ISSUE POLICY

Credit balances can be offered by material purchase only. Cash payments are not allowed. Dynamic Fluid Components, Inc. reserves the right to assess a restocking fee on all items returned for credit.

PRICING

Subject to change without prior notification.

SPECIAL ORDERS

Special orders are noncancellable.

CONDITIONS

Dynamic Fluid Components, Inc. must have a copy of your sales tax exemption certificate on file. Any discrepancies in either billing or shipping must be reported within 30 days from receipt of order. The carrier must be contracted if package is damaged when received and goods must be kept with original packaging for inspection by the carrier.



WARNING

Products supplied in this catalog can cause serious injury to equipment and person if not used properly. Never exceed rated pressures stated in this catalog. Stated pressures are rated in psi. Inspect products on a regular basis while in service. Products in this catalog are used in thousands of applications in varying situations. It is not possible for us to warranty the use of a specific product for a singular application. The user is responsible for selecting and testing the final configuration to ensure that all performance, safety and warning requirements are met.

Dynamic is not responsible for errors or omissions in this catalog.

**Call 1-800-988-1276
from anywhere in the U.S.**

DYNAMIC

FLUID COMPONENTS, INC.

**Dynamic Fluid Components
is committed to delivering
Total Quality Satisfaction
through organizational
dedication to Continuous
Quality Improvement.**

Distributed/Represented by:



Dynamic Fluid Components, Inc.

2810 Blue Ridge Boulevard, West Union, SC 29696

864-638-5544 • 800-988-1276

Fax: 864-638-0005

www.dynamicfc.com