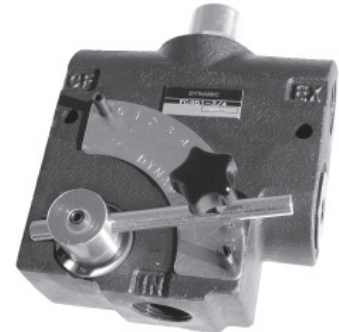


Pressure Compensating Variable Flow Control

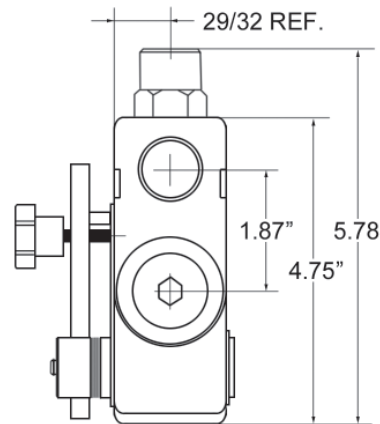
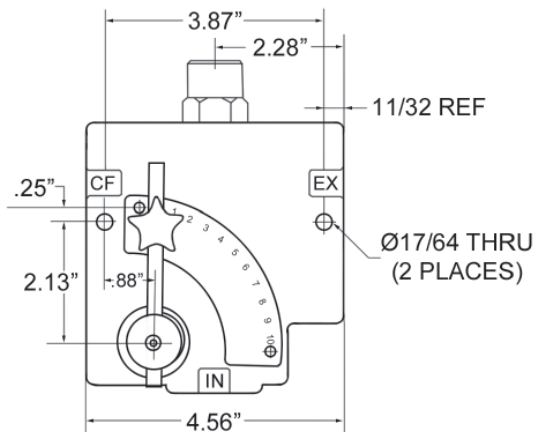
Model DFC-51 is a full-range pressure compensating variable flow control. It is designed so that the orifice area varies as the lever is rotated. The outlet flow is smooth and constant regardless of the pressure on the control flow or excess flow ports. An adjustable ball spring relief allows for pressure compensated flow up to the pressure setting on the relief. Relief valves are preset at 1500 psi and field adjustable from 75 to 3000 psi.



Materials

- Cast Iron Body
- Heat Treated Compensator Spool
- Stainless Steel Rotary Spool
- Buna-N "O" Rings

Installation Data



Ordering Example:

Model Relief Series Ports
DFC - **R** - **51** - **34-N**

Model	Relief Option	Series	Port Size & Flow
DFC	R = Adj. Ball Spring Relief N = No Relief B* = Extended Relief	51	38-N = 3/8" NPT (0-8 gpm)
			12-N = 1/2" NPT (0-16 gpm)
			34-N = 3/4" NPT (0-30 gpm)
			06-S = 06 SAE (0-8 gpm)
			08-S = 08 SAE (0-16 gpm)
			10-S = 10 SAE (0-16 gpm)
			12-S = 12 SAE (0-32 gpm)

*Special Order Only