



FLUID COMPONENTS, INC.

JP-FC Series

# Flow Control Valve

## Features

- Micrometer adjustment knob for accurate valve setting
- Rugged construction
- Maximum Pressure: 5000 psi
- Temperature Range: -4° to 176°F (-20°C to 80°C)
- Allen Head Lock Screw to Lock Handle in Place

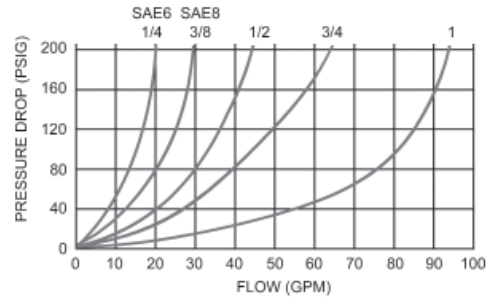
## Materials

- Body: Carbon steel with black oxide plating
- Handle: Zinc Alloy
- Set Screw: Steel
- Packing: Buna O-Ring/PTFE stem packing

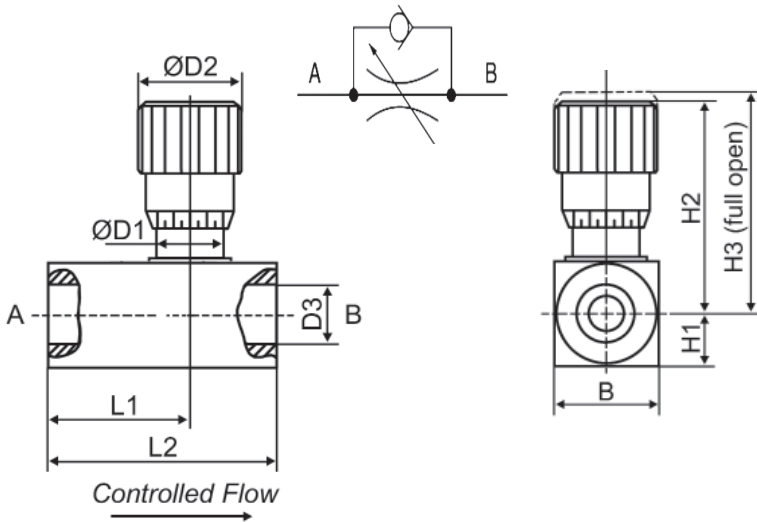
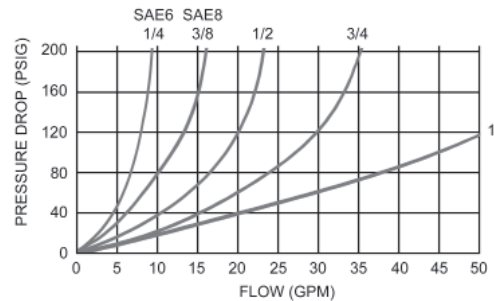


## Performance

Free Flow Direction - Stem full open



Controlled Flow Direction - Stem full open



## Model #'s & Dimensional Information

Model #	B	D1	D2	D3	H1	H2	H3	L1	L2	Weight
JP-FC-1/4 NPT	1.10"	.76"	1.18"	1/4" NPT	.55"	2.41"	2.67"	1.54"	2.52"	.90 lbs
JP-FC-3/8 NPT	1.10"	.76"	1.18"	3/8" NPT	.55"	2.41"	2.67"	1.69"	2.75"	.90 lbs
JP-FC-1/2 NPT	1.50"	.95"	1.46"	1/2" NPT	.75"	3.07"	3.41"	2.05"	3.27"	2.00 lbs
JP-FC-3/4 NPT	1.50"	.95"	1.46"	3/4" NPT	.75"	3.08"	3.41"	2.19"	3.50"	2.00 lbs
JP-FC-1 NPT	1.89"	1.38"	1.89"	1" NPT	.94"	4.03"	4.50"	2.79"	4.60"	4.20 lbs
JP-FC-1-1/4 NPT	2.38"	1.96"	2.28"	1 1/4" NPT	1.18"	5.25"	5.88"	3.39"	6.07"	9.55 lbs
JP-FC-SAE6	1.10"	.76"	1.18"	06 SAE	.55"	2.41"	2.67"	1.69"	2.75"	.90 lbs
JP-FC-SAE8	1.50"	.95"	1.46"	08 SAE	.75"	3.07"	3.41"	2.05"	3.27"	2.00 lbs