

Model DYFB
Spool Flow Divider



Features

- Precision ground heat treated spool
- Pressure compensation for both outlet ports
- Divides inlet flow into two flows of equal flow (other ratios available with minimum order)
- Maximum Pressure: 3000 psi
- Optional free reverse flow allows fluid to move from the outlet ports to the inlet port

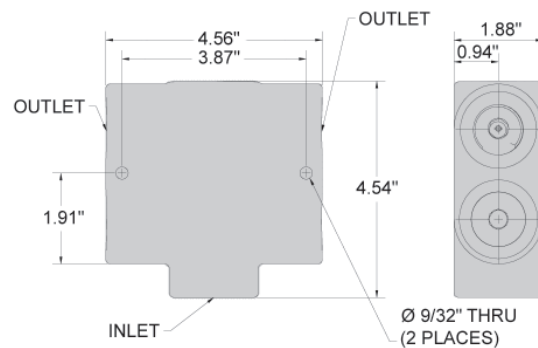
Materials

- Cast Iron Body
- Buna N "O" Rings
- Heat Treated Steel Spool
- Heat Treated Free Reverse Check Seat

Technical Specifications

Port Size	Min. Flow each section (gpm)	Max. Flow each section (gpm)	Max. Outlet Pressure (psi)
3/8" NPT	2	8	3000
1/2" NPT	8	16	
3/4" NPT	16	30	
#10 SAE	8	16	
#12 SAE	16	30	

Installation Data



Ordering Example: Model **DYFB** Flow Options **100** - Port Size **1/2**

Category	Flow Options	Port Size
DYFB = Flow Divider	50* = Inlet to Outlet 100 = Free Reverse Flow	3/8 = 3/8" NPT 1/2 = 1/2" NPT 3/4 = 3/4" NPT 10SAE = 10 SAE 12SAE = 12 SAE

*Special Order - minimums may apply