



FLUID COMPONENTS, INC.

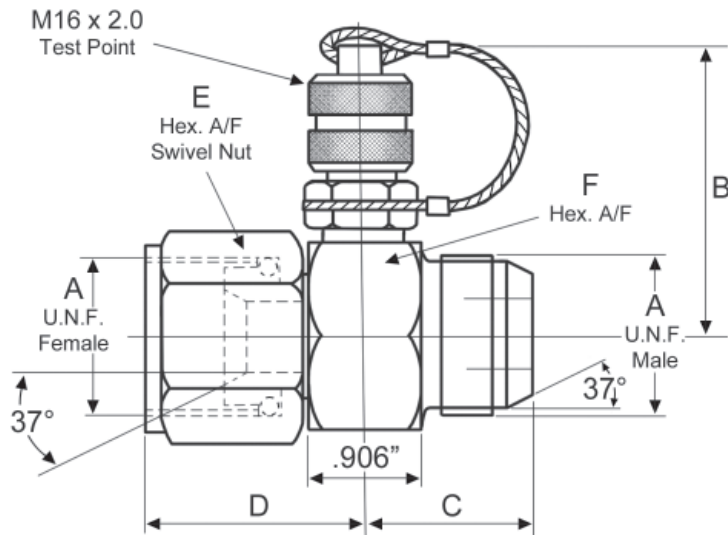
Hydra-Test J.I.C. Hose Couplings

Features

- 6,000 psi Working Pressure
- Fitted with Hydra-Test Point Plug
- Can be Used With Direct or Remote Test Probes
- For J.I.C. 37° Hose Sizes: 7/16" - 1 7/8" UNF
- Can be Connected and Disconnected at Full System Pressure

Install Hydra-Test J.I.C. Hose Couplings between the female swivel nut of the flexible hose and the fixed male connection. The integrated test point may be used with Dynamic test probes and/or test kits to obtain random pressure and temperature checks during servicing or fault finding. Fluid sampling probes are also compatible.

All probes may be connected and disconnected at full pressure without fluid loss or ingress of dirt.



Model #'s and Dimensional Information

Model #	A	B	C	D	E	F	Weight	Seal Kit	
								Nitrile*	Viton*
HSP1040-4	7/16"-20 UNF	2.01"	1.00"	1.22"	.56"	1.12"	.29 lbs	SK114N*	SK114V*
HSP1040-5	1/2"-20 UNF	2.01"	1.00"	1.30"	.62"	1.12"	.31 lbs		
HSP1040-6	9/16"-20 UNF	2.01"	1.01"	1.36"	.69"	1.12"	.33 lbs		
HSP1040-8	3/4"-16 UNF	2.01"	1.11"	1.33"	.87"	1.12"	.35 lbs		
HSP1040-10	7/8"-14 UNF	2.14"	1.23"	1.51"	1.00"	1.37"	.55 lbs		
HSP1040-12	1 1/16"-12 UNF	2.14"	1.31"	1.64"	1.25"	1.37"	.66 lbs		
HSP1040-16	1 5/16"-12 UNF	2.30"	1.36"	1.72"	1.50"	1.69"	.95 lbs		
HSP1040-20	1 5/8"-12 UNF	2.61"	0.96"	1.77"	2.05"	2.00"	1.71 lbs		
HSP1040-24	1 7/8"-12 UNF	2.98"	1.08"	1.89"	2.20"	2.22"	1.98 lbs		

*Special Order Only