

## Model JPLS-3000 Log Splitter Control Valve

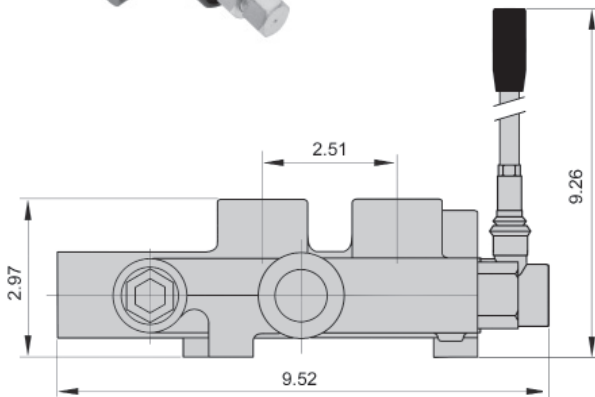
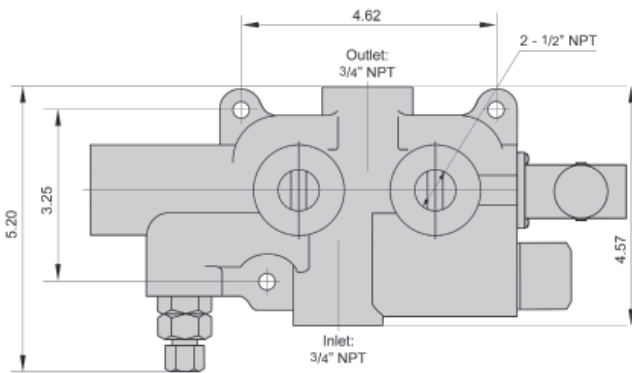
Model JPLS-3000 offers a hydraulically-balanced, chrome-plated spool and pressure release detent adjustable from 1000 to 2000 psi. Recommended for systems with flows up to 25 gpm, the JPLS-3000 relief valve is adjustable up to 2750 psi. When the tandem center spool is in neutral position, hydraulic flow is diverted to the return line. This is used to hold the cylinder/piston in position with no load on the pump, keeping wear and tear on the pump to a minimum.

### Technical Specifications

- Max Operating Pressure: 2750 psi
- Max Tank Pressure: 150 psi
- Max Flow Rating: 25 gpm
- Relief Valve Setting: 2250 psi
- Recommended Filtration: ISO 4406 19/17/14
- Max Operating Temperature: 180°F
- Standard Port Size: 1/2" NPT
- Weight: 10 lbs

In exposed applications, do not mount with spool vertical and handle down.

### Installation Data



Ordering Example:

Model Series  
**JPLS - 3000**

**Note:** 1/2" NPT ports are standard. Additional port options may be available with special order.