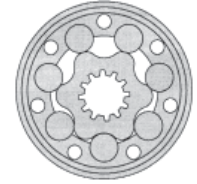


Hydraulic Motor

Model BMER-2

Crossover to White 500/530 Series



The BMER-2 (formerly BMER-1) series motors adapt the Geroler gear set design with high speed distribution flow and high pressure. These motors can be supplied with various options for multifunctional operations in accordance with the application requirements. The output shaft tapered roller bearings permit high axial and radial forces offering a smooth operation during low pressure start up and high pressure operation.

These low weight advanced construction design motors are manufactured in accordance with the requirements of the ISO 9000-2000 quality system.

Introducing the BMER-2!

We are pleased to present an improvement to our BMER motor line. We have upgraded our BMER-1 motors with new, larger radial bearings to increase the overall side load capacity of the motors.

Dynamic BMER-1 motors have proven over time to be an excellent drop-in replacement for the White Drive Products 500 Series motors, but we knew we could do even better. So, the standard BMER-1 motors will be phased out and slowly replaced by the new BMER-2 motors. With the additional side load capacity, as well as, the addition of several larger diameter shaft options, the BMER-2 motors will now serve as drop-in replacements for both the White 500 Series and 530 Series.

Dynamic will continue to support, service, and offer seal kits for the BMER-1 motors for as long as our manufacturer continues to stock the necessary parts.

We are excited about this upgrade and are certain the BMER-2 motor will meet and exceed your expectations!

Technical Specifications

MODEL		BMER 125	BMER 160	BMER 200	BMER 230	BMER 250	BMER 300	BMER 350	BMER 375	BMER 475	BMER 540	BMER 750
Displacement <i>in³/rev (cm³/rev)</i>		7.20 (118)	9.52 (156)	11.96 (196)	13.91 (228)	15.68 (257)	18.08 (296)	21.05 (345)	22.63 (371)	28.18 (462)	32.94 (540)	45.45 (745)
Max Speed <i>rpm</i>	Cont	360	375	330	290	290	250	220	200	160	140	100
	Int.	490	470	425	365	350	315	270	240	195	170	120
Max Torque <i>in•lbf</i>	Cont	2876	3983	4691	5531	6195	7169	8009	8762	9602	8673	9293
	Int.	3363	4646	5310	6284	6992	8231	9160	10089	10443	10974	10443
Max Differential <i>psi</i>	Cont	2973	2973	2973	2973	2973	2973	2973	2973	2538	2030	1523
	Int.	3481	3481	3481	3481	3481	3481	3481	3481	2973	2538	1740
Max Flow <i>gpm</i>	Cont	14.00	15.85	17.96	17.96	19.81	19.81	19.81	19.81	19.81	19.81	19.81
	Int.	15.85	19.81	22.45	22.45	23.77	25.09	25.09	23.77	23.77	23.77	23.77
Weight		27.45 lbs	29.00 lbs	29.20 lbs	29.45 lbs	30.15 lbs	31.00 lbs	32.00 lbs	32.35 lbs	33.35 lbs	35.10 lbs	37.75 lbs

Continuous (Cont.) = maximum of continuous operation. Intermittent (Int.) = maximum operating range for 6 seconds per minute

BMER-2

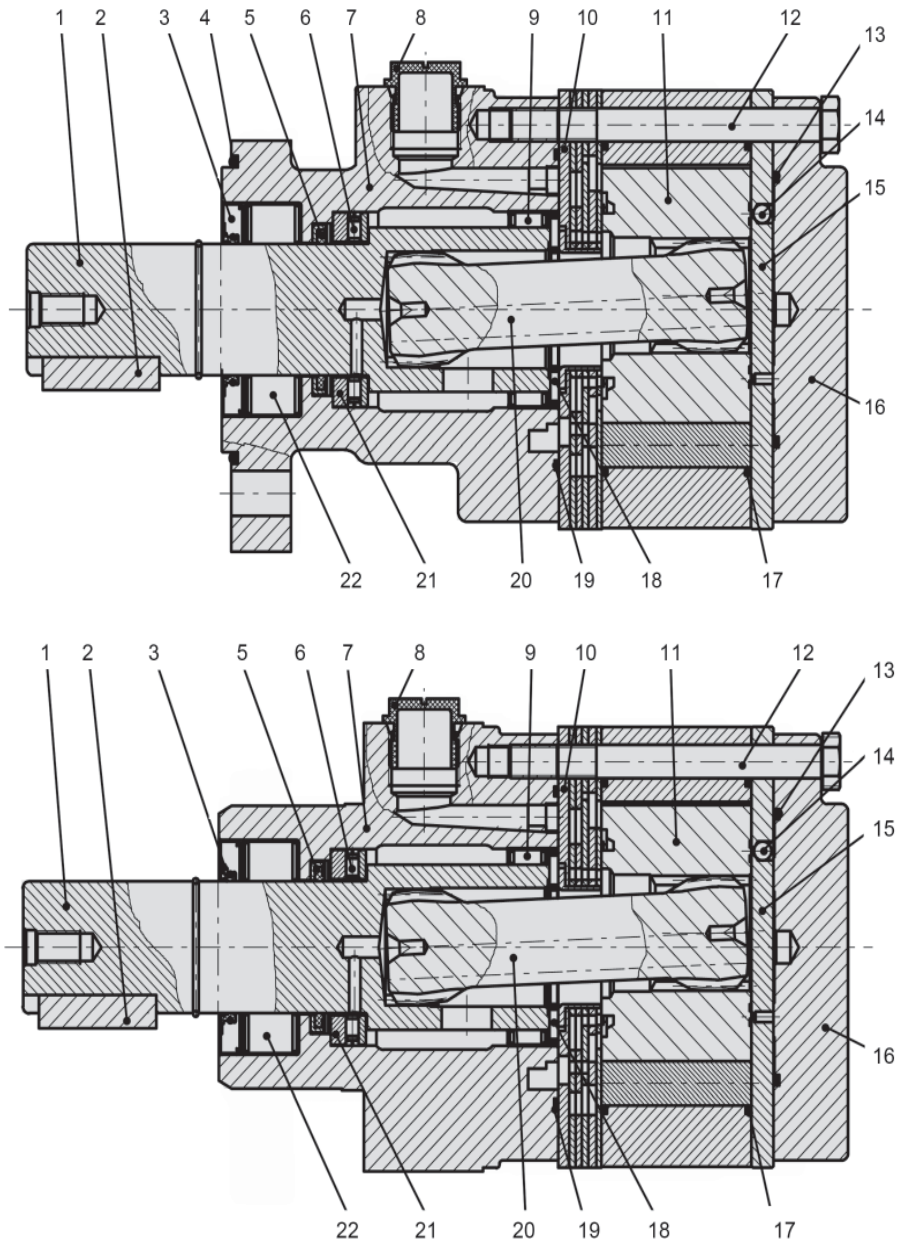


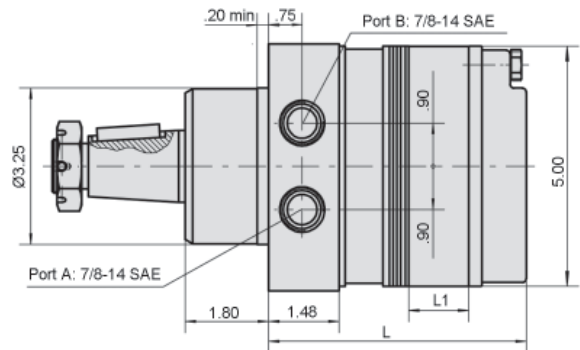
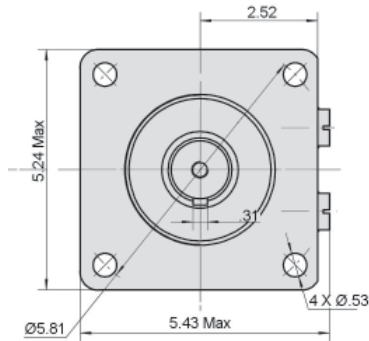
Diagram Key

- | | |
|-------------------------|--------------------------|
| 1 Output Shaft | 12 Bolt |
| 2 Key | 13 "O" Ring |
| 3 Dust Seal | 14 Ball |
| 4 "O" Ring | 15 Balance Plate |
| 5 Shaft Seal | 16 End Cover |
| 6 Axial Needle Bearing | 17 "O" Ring |
| 7 Housing | 18 Axial Needle Bearing |
| 8 Port Plug | 19 "O" Ring |
| 9 Radial Needle Bearing | 20 Drive Shaft |
| 10 Timing Plate | 21 Thrust Washer |
| 11 Rolortorc Gear Set | 22 Radial Needle Bearing |

BMER-2 Installation Data

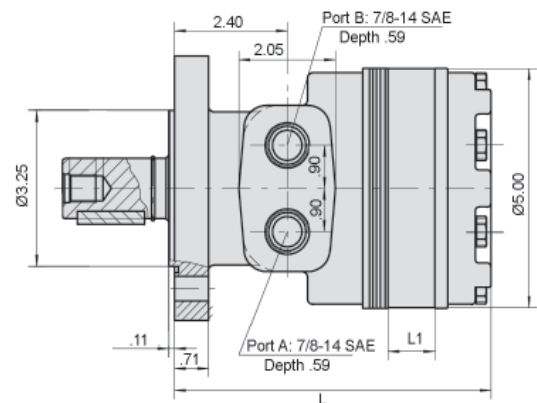
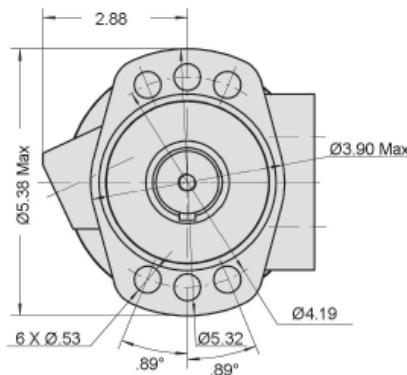
WS - Wheel Drive

Motor Size	L	L1
125	4.68"	0.40"
160	4.80"	0.53"
200	4.94"	0.67"
230	5.04"	0.77"
250	5.14"	0.87"
300	5.30"	1.00"
350	5.43"	1.16"
375	5.53"	1.25"
475	5.83"	1.55"
540	6.14"	1.86"
750	6.93"	2.50"



FS - Magneto Mount

Motor Size	L	L1
125	6.18"	0.40"
160	6.30"	0.53"
200	6.44"	0.67"
230	6.54"	0.77"
250	6.63"	0.87"
300	6.77"	1.00"
350	6.93"	1.16"
375	7.03"	1.25"
475	7.32"	1.55"
540	7.64"	1.86"
750	8.27"	2.50"



Ordering Example: Model **BMER-2** - Frame Size **375** - Flange **FS** - Drive Shaft **RW** - Ports **S** - Rotation - Options

Model	Frame Size	Mounting Flange	Drive Shaft	Port Size	Rotation
BMER-2	125 (7.20) 160 (9.52) 200 (11.96) 230 (13.91) 250 (15.68) 300 (18.08) 350 (21.05) 375 (22.63) 475 (28.18) 540 (32.94) 750 (45.45)	WS = Wheel Mount FS = Magneto Mount	RW = 1" Keyed SW = 6B Spline G2 = 1 1/4" Keyed FD1 = 14-Tooth Spline T4 = 1 1/4" Tapered G32 = 1 1/2" Keyed T31 = 1 1/2" Tapered	S = 7/8" - 14 SAE	Omit = Clockwise R = Counter-Clockwise <i>Note: Direction of rotation is indicated when "A" port is pressurized</i> Options CR = Cavity Valve Relief

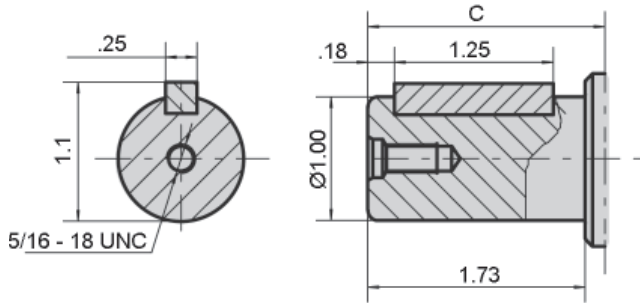
*Special Order

**Additional flange and drive shaft options available please consult factory.

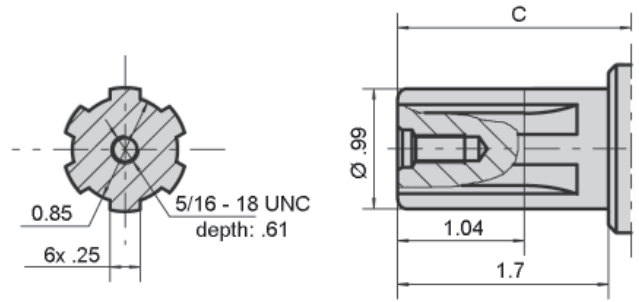
Seal kits for BMER-2 motors (and older BMER-1 motors) are available for purchase. Order seal kits using item description: "BMER-2 Seal Kit" or "BMER-1 Seal Kit".

BMER-2 Drive Shaft Data

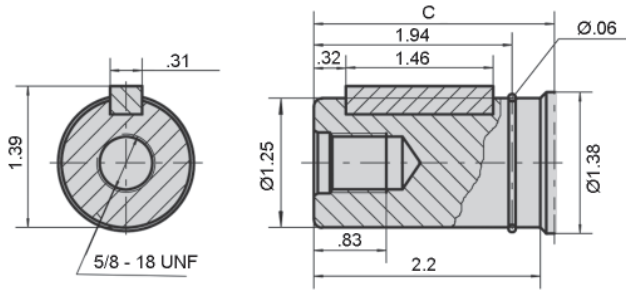
RW - 1" Keyed



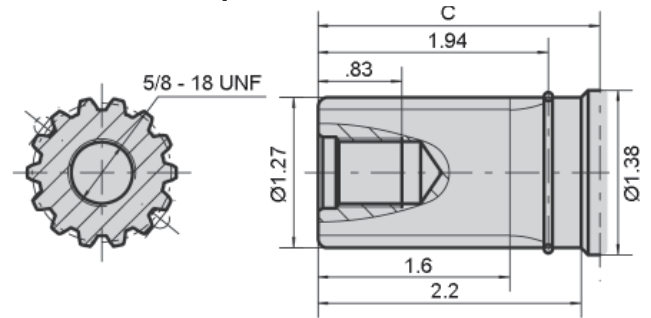
SW - 6B Spline



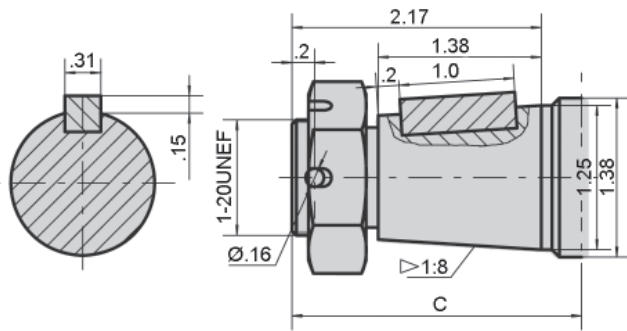
G2 - 1 1/4" Keyed



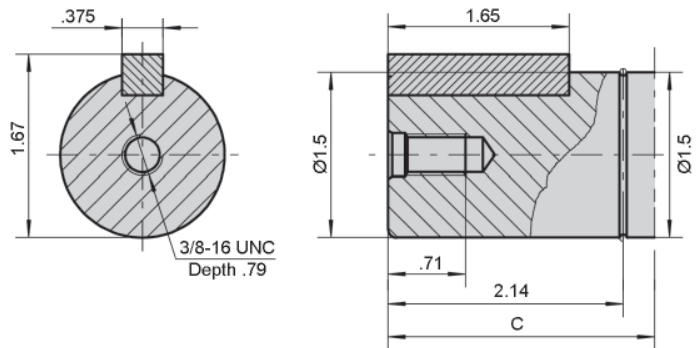
FD1 - 14-Tooth Spline



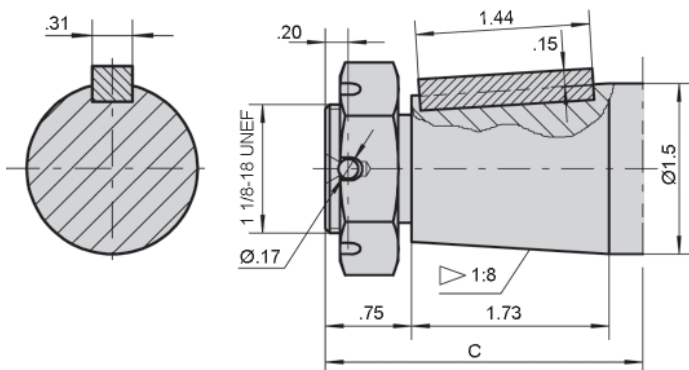
T4 - 1 1/4" Tapered



G32 - 1 1/2" Keyed



T31 - 1 1/2" Tapered



Dimension "C"

From Mounting Flange to Shaft End

Shaft Code	Wheel Mount (WS)	Magneto Mount (FS)
RW	3.58"	1.96"
SW	3.58"	1.96"
G2	4.05"	2.40"
T4	4.21"	2.56"
FD1	4.05"	2.40"
G32	4.23"	2.56"
T31	4.61"	2.93"

BMER Flow Data

BMER-2 125		7.20 in ³ /rev (118 cm ³ /rev)						Max Cont.	Max Int.	
Pressure (psi →)		254	508	1015	1523	2031	2538	2973	3481	
F L O W	(gpm ↓)	Torque (in·lbf) Speed Specification								
	0.53	177	443	850	1212					
		14 rpm	13 rpm	11 rpm	7 rpm					
	1.06	212	469	974	1469	1956				
		28 rpm	26 rpm	24 rpm	19 rpm	13 rpm				
	2.11		487	1000	1540	1991	2354	2602	2974	
			60 rpm	54 rpm	50 rpm	45 rpm	39 rpm	35 rpm	26 rpm	
	3.96		469	1009	1593	2071	2434	2885	3080	
			115 rpm	110 rpm	100 rpm	96 rpm	90 rpm	84 rpm	76 rpm	
	6.60		425	974	1451	2000	2407	2859	3115	
			194 rpm	185 rpm	173 rpm	168 rpm	160 rpm	155 rpm	149 rpm	
	8.98			956	1469	1947	2460	2788	3301	
			276 rpm	260 rpm	244 rpm	232 rpm	225 rpm	217 rpm		
11.88			867	1416	1903	2398	2726	3266		
			362 rpm	350 rpm	342 rpm	325 rpm	322 rpm	303 rpm		
14.00 <i>Max Cont.</i>			797	1345	1841	2345	2690			
			423 rpm	418 rpm	404 rpm	399 rpm	371 rpm			
15.85 <i>Max Int.</i>			726	1248	1814	2301	2655			
			488 rpm	472 rpm	455 rpm	442 rpm	421 rpm			

BMER-2 160		9.52 in ³ /rev (156 cm ³ /rev)						Max Cont.	Max Int.	
Pressure (psi →)		254	508	1015	1523	2031	2538	2973	3481	
F L O W	(gpm ↓)	Torque (in·lbf) Speed Specification								
	0.53	310	655	1292	1929	2637				
		8 rpm	4 rpm	3 rpm	3 rpm	2 rpm				
	1.06	257	699	1389	2080	2797	3275	3752		
		22 rpm	19 rpm	18 rpm	16 rpm	14 rpm	13 rpm	8 rpm		
	2.11	310	690	1398	2089	2761	3301	3983	4655	
		47 rpm	44 rpm	42 rpm	40 rpm	37 rpm	34 rpm	32 rpm	27 rpm	
	3.96	327	655	1372	2071	2744	3257	3894	4575	
		93 rpm	90 rpm	86 rpm	84 rpm	82 rpm	79 rpm	75 rpm	69 rpm	
	6.60		602	1345	2009	2726	3221	3859	4416	
			155 rpm	151 rpm	147 rpm	142 rpm	137 rpm	131 rpm	124 rpm	
	8.98		602	1345	2009	2726	3221	3859	4416	
		214 rpm	213 rpm	210 rpm	204 rpm	198 rpm	191 rpm	184 rpm		
11.88		566	1266	1929	2620	3186	3761	4257		
		282 rpm	280 rpm	275 rpm	268 rpm	263 rpm	256 rpm	245 rpm		
14.00			1195	1912	2593	3159	3726	4213		
			330 rpm	327 rpm	322 rpm	315 rpm	306 rpm	296 rpm		
15.85 <i>Max Cont.</i>			1080	1832	2513	3098	3682	4133		
			379 rpm	376 rpm	368 rpm	362 rpm	356 rpm	345 rpm		
17.96			965	1682	2416	3053	3151			
			423 rpm	419 rpm	414 rpm	406 rpm	345 rpm			
19.81 <i>Max Int.</i>			920	1664	2390	2982	3151			
			472 rpm	466 rpm	460 rpm	450 rpm	337 rpm			

BMER-2 200		11.96 in ³ /rev (196 cm ³ /rev)					Max Cont.	Max Int.	
Pressure (psi →)	254	508	1015	1523	2031	2538	2973	3481	
FLOW	(gpm ↓)	Torque (in·lbf) Speed Specification							
	0.53	345	779	1168	2531	3275			
		8 rpm	4 rpm	4 rpm	3 rpm	2 rpm			
	1.06	372	752	1664	2390	3186	3779	4478	
		16 rpm	14 rpm	13 rpm	11 rpm	10 rpm	9 rpm	6 rpm	
	2.11	381	797	1699	2575	3248	3983	4682	5310
		35 rpm	32 rpm	29 rpm	28 rpm	27 rpm	25 rpm	23 rpm	19 rpm
	3.96	336	814	1735	2637	3372	4089	4691	5328
		74 rpm	71 rpm	68 rpm	64 rpm	60 rpm	58 rpm	55 rpm	50 rpm
	6.60		726	1664	2505	3336	4036	4673	5354
			124 rpm	121 rpm	117 rpm	113 rpm	108 rpm	103 rpm	92 rpm
	8.98		699	1620	2390	3204	3956	4558	5230
			170 rpm	169 rpm	167 rpm	160 rpm	154 rpm	146 rpm	135 rpm
	11.88			1443	2292	3115	3903	4514	5248
				223 rpm	218 rpm	212 rpm	208 rpm	199 rpm	189 rpm
	14.00			1319	2266	3098	3894	4514	5151
			260 rpm	258 rpm	254 rpm	248 rpm	241 rpm	230 rpm	
15.85			1168	2195	2974	3823	4434	5089	
			299 rpm	292 rpm	284 rpm	276 rpm	272 rpm	263 rpm	
17.96 <i>Max Cont.</i>			1062	2036	2921	3646	4398	5045	
			336 rpm	332 rpm	327 rpm	319 rpm	310 rpm	301 rpm	
19.81			956	1841	2752	3567	4301		
			375 rpm	372 rpm	365 rpm	358 rpm	350 rpm		
22.44 <i>Max Int.</i>				1628	2478	3363	4088		
				425 rpm	420 rpm	411 rpm	390 rpm		

BMER-2 230		13.91 in ³ /rev (228 cm ³ /rev)					Max Cont.	Max Int.	
Pressure (psi →)	254	508	1015	1523	2031	2538	2973	3481	
FLOW	(gpm ↓)	Torque (in·lbf) Speed Specification							
	0.53	389	797	1611	2575	3310			
		6 rpm	4 rpm	3 rpm	2 rpm	1 rpm			
	1.06	425	885	1912	2744	3584	4283	4859	
		15 rpm	13 rpm	11 rpm	11 rpm	9 rpm	7 rpm	3 rpm	
	2.11	443	920	1876	2832	3726	4584	5337	6195
		31 rpm	29 rpm	27 rpm	25 rpm	23 rpm	20 rpm	16 rpm	10 rpm
	3.96	389	938	1832	2814	3770	4682	5514	6301
		63 rpm	61 rpm	58 rpm	55 rpm	52 rpm	47 rpm	41 rpm	34 rpm
	6.60		894	1850	2867	3788	4708	5487	6239
			103 rpm	100 rpm	96 rpm	92 rpm	87 rpm	81 rpm	71 rpm
	8.98		779	1814	2797	3726	4620	5514	6213
			145 rpm	143 rpm	139 rpm	133 rpm	126 rpm	120 rpm	109 rpm
	11.88			1646	2602	3735	4487	5266	6089
				192 rpm	187 rpm	182 rpm	176 rpm	170 rpm	160 rpm
	14.00			1549	2567	3478	4390	5266	6000
			226 rpm	221 rpm	215 rpm	208 rpm	203 rpm	194 rpm	
15.85			1345	2390	3452	4292	5168	5850	
			256 rpm	253 rpm	248 rpm	242 rpm	235 rpm	222 rpm	
17.96 <i>Max Cont.</i>			1239	2345	3106	4266	5036	5682	
			292 rpm	288 rpm	283 rpm	278 rpm	273 rpm	256 rpm	
19.81			1097	2080	3044	3965	4983		
			324 rpm	321 rpm	314 rpm	308 rpm	300 rpm		
22.44 <i>Max Int.</i>				1832	2965	3912	4832		
				366 rpm	360 rpm	351 rpm	338 rpm		

BMER-2 250		15.68 in ³ /rev (257 cm ³ /rev)						Max Cont.	Max Int.	
Pressure (psi →)		254	508	1015	1523	2031	2538	2973	3481	
FLOW	(gpm ↓)	Torque (in·lbf) Speed Specification								
	0.53	425	982							
		5 rpm	2 rpm							
	1.06	478	1000	2097	3204	4168	5045	5682		
		12 rpm	11 rpm	10 rpm	9 rpm	8 rpm	6 rpm	3 rpm		
	2.11	478	1018	2159	3239	4266	5195	6089		
		27 rpm	26 rpm	24 rpm	22 rpm	20 rpm	18 rpm	14 rpm		
	3.96	443	1000	2266	3248	4292	5230	6124	7027	
		57 rpm	56 rpm	54 rpm	51 rpm	48 rpm	45 rpm	43 rpm	37 rpm	
	6.60	389	1009	2133	3186	4319	5248	6186	6921	
		95 rpm	93 rpm	90 rpm	86 rpm	82 rpm	77 rpm	72 rpm	63 rpm	
	8.98		841	2000	3080	4257	5222	6071	6850	
			129 rpm	125 rpm	121 rpm	116 rpm	111 rpm	106 rpm	96 rpm	
	11.88		681	1903	3062	4142	5062	5965	6894	
			174 rpm	173 rpm	170 rpm	166 rpm	161 rpm	155 rpm	143 rpm	
	14.00		584	1770	2876	3965	4991	5965	6691	
		203 rpm	202 rpm	200 rpm	196 rpm	190 rpm	184 rpm	175 rpm		
15.85			1593	2620	3876	4868	5814	6558		
			232 rpm	229 rpm	225 rpm	220 rpm	215 rpm	202 rpm		
17.96			1434	2602	3673	4850	5682	6461		
			262 rpm	261 rpm	257 rpm	250 rpm	241 rpm	228 rpm		
19.81 <i>Max Cont.</i>			1212	2425	3434	4602	5637	6425		
			290 rpm	289 rpm	278 rpm	280 rpm	273 rpm	260 rpm		
22.44			1151	2310	3275	4505	5345			
			328 rpm	326 rpm	322 rpm	316 rpm	307 rpm			
23.76 <i>Max Int.</i>			752	1982	3168	4337				
			348 rpm	347 rpm	344 rpm	336 rpm				

BMER-2 300		18.06 in ³ /rev (296 cm ³ /rev)						Max Cont.	Max Int.	
Pressure (psi →)		254	508	1015	1523	2031	2538	2973	3481	
FLOW	(gpm ↓)	Torque (in·lbf) Speed Specification								
	0.53	443	823							
		3 rpm	1 rpm							
	1.06	549	1248	2602	3797	4443	5469			
		11 rpm	10 rpm	9 rpm	8 rpm	7 rpm	4 rpm			
	2.11	558	1301	2637	3823	5000	5903	6735	7248	
		22 rpm	21 rpm	20 rpm	19 rpm	16 rpm	13 rpm	9 rpm	5 rpm	
	3.96	584	1274	2699	3779	5027	5938	7169	7912	
		48 rpm	47 rpm	45 rpm	43 rpm	39 rpm	33 rpm	28 rpm	20 rpm	
	6.60	522	1221	2558	3717	4885	5983	7000	8248	
		82 rpm	81 rpm	80 rpm	76 rpm	71 rpm	64 rpm	56 rpm	44 rpm	
	8.98	425	1151	2628	3478	4974	6098	7124	8195	
		113 rpm	112 rpm	110 rpm	107 rpm	102 rpm	96 rpm	86 rpm	73 rpm	
	11.88		850	2372	3407	4664	5629	6664	7788	
			150 rpm	149 rpm	148 rpm	143 rpm	135 rpm	124 rpm	112 rpm	
	14.00		673	2142	3390	4637	5584	6664	7965	
		177 rpm	176 rpm	175 rpm	173 rpm	165 rpm	152 rpm	138 rpm		
15.85		566	1991	3204	4478	5549	6708	7894		
		200 rpm	199 rpm	198 rpm	193 rpm	186 rpm	174 rpm	162 rpm		
17.96			1770	2947	4160	5576	6664	7806		
			225 rpm	224 rpm	222 rpm	212 rpm	201 rpm	194 rpm		
19.81 <i>Max Cont.</i>			1575	2850	4106	5399	6638	7700		
			251 rpm	250 rpm	246 rpm	240 rpm	232 rpm	215 rpm		
22.44			1239	2797	4027	5045	6443			
			285 rpm	284 rpm	278 rpm	270 rpm	257 rpm			
25.08 <i>Max Int.</i>			938	2301	3814	4885	6195			
			316 rpm	314 rpm	311 rpm	307 rpm	292 rpm			

BMER-2 350		21.05 in ³ /rev (345 cm ³ /rev)						Max Cont.	Max Int.
Pressure (psi →)	254	508	1015	1523	2031	2538	2973	3481	
FLOW	(gpm ↓)	Torque (in·lbf) Speed Specification							
	0.53	558	1177						
		4 rpm	4 rpm						
	1.06	566	1195	2567	3894				
		10 rpm	9 rpm	8 rpm	7 rpm				
	2.11	602	1292	2744	4053	5213	6505	7496	
		21 rpm	20 rpm	20 rpm	19 rpm	18 rpm	16 rpm	12 rpm	
	3.96	637	1328	2779	4142	5549	6806	7788	8708
		42 rpm	41 rpm	40 rpm	39 rpm	37 rpm	35 rpm	32 rpm	26 rpm
	6.60	558	1310	2770	4160	5558	6770	7894	9009
		70 rpm	69 rpm	68 rpm	66 rpm	63 rpm	60 rpm	55 rpm	46 rpm
	8.98	460	1177	2690	4027	5478	6726	8009	9151
		97 rpm	96 rpm	95 rpm	93 rpm	89 rpm	85 rpm	78 rpm	68 rpm
	11.88		885	2310	3912	5160	6514	7850	9098
			129 rpm	128 rpm	127 rpm	125 rpm	118 rpm	112 rpm	101 rpm
	14.00		752	2186	3699	5009	6328	7850	9062
		152 rpm	150 rpm	148 rpm	145 rpm	139 rpm	132 rpm	118 rpm	
15.85		575	2505	3629	4868	6301	7788	8815	
		171 rpm	170 rpm	169 rpm	167 rpm	162 rpm	155 rpm	143 rpm	
17.96			1929	3425	4806	6160	7452	8638	
			195 rpm	194 rpm	190 rpm	185 rpm	175 rpm	162 rpm	
19.81 <i>Max Cont.</i>			1823	3301	4558	6018	7301	8549	
			215 rpm	214 rpm	210 rpm	206 rpm	197 rpm	183 rpm	
22.44			1558	3142	4514	6009	7151		
			243 rpm	242 rpm	239 rpm	234 rpm	227 rpm		
25.08 <i>Max Int.</i>				3124	4505	5708			
				272 rpm	269 rpm	265 rpm			

BMER-2 375		22.63 in ³ /rev (371 cm ³ /rev)						Max Cont.	Max Int.
Pressure (psi →)	254	508	1015	1523	2031	2538	2973	3481	
FLOW	(gpm ↓)	Torque (in·lbf) Speed Specification							
	0.53	664							
		3 rpm							
	1.06	735	1416	2921	4319	5629	6735		
		8 rpm	8 rpm	7 rpm	6 rpm	5 rpm	3 rpm		
	2.11	717	1505	3151	4664	6009	7275	8390	9381
		18 rpm	17 rpm	17 rpm	16 rpm	14 rpm	12 rpm	9 rpm	5 rpm
	3.96	673	1434	3151	4717	6045	7478	8655	9753
		39 rpm	38 rpm	37 rpm	35 rpm	32 rpm	29 rpm	25 rpm	18 rpm
	6.60	602	1381	3098	4637	6018	7584	8797	10071
		65 rpm	64 rpm	62 rpm	59 rpm	55 rpm	48 rpm	44 rpm	35 rpm
	8.98	513	1310	3000	4478	6107	7443	8788	10133
		90 rpm	89 rpm	87 rpm	83 rpm	77 rpm	71 rpm	63 rpm	53 rpm
	11.88		1071	2673	4230	5753	7195	8602	10036
			120 rpm	119 rpm	117 rpm	113 rpm	108 rpm	100 rpm	90 rpm
	14.00		841	2496	4124	5558	6947	8602	9762
		141 rpm	140 rpm	138 rpm	134 rpm	128 rpm	120 rpm	105 rpm	
15.85		664	2336	3788	5239	6779	8266	9470	
		161 rpm	161 rpm	160 rpm	158 rpm	155 rpm	151 rpm	141 rpm	
17.96			2053	3735	5177	6691	8186	9434	
			182 rpm	180 rpm	176 rpm	169 rpm	161 rpm	148 rpm	
19.81 <i>Max Cont.</i>			1832	3363	4921	6531	7974	8956	
			201 rpm	200 rpm	195 rpm	190 rpm	181 rpm	165 rpm	
22.44			1579	3275	4655	6195	7363		
			228 rpm	226 rpm	221 rpm	216 rpm	206 rpm		
23.76 <i>Max Int.</i>			1310	2797	4425	5788			
			242 rpm	240 rpm	237 rpm	226 rpm			

BMER-2 475		28.19 in ³ /rev (462 cm ³ /rev)					Max Cont.	Max Int.	
Pressure (psi →)	254	508	1015	1523	2031	2538	2973		
FLOW	(gpm ↓)	Torque (in•lbf) Speed Specification							
	0.53	823	1646						
		2 rpm	1 rpm						
	1.06	867	1788	3584	5381	7124			
		7 rpm	6 rpm	5 rpm	5 rpm	4 rpm			
	2.11	867	1823	3806	5770	7469	8894	10443	
		15 rpm	14 rpm	13 rpm	13 rpm	12 rpm	10 rpm	8 rpm	
	3.96	832	1788	3903	5788	7744	9346	10956	
		31 rpm	30 rpm	28 rpm	28 rpm	26 rpm	23 rpm	20 rpm	
	6.60	832	1788	3903	5788	7744	9346	10956	
		52 rpm	51 rpm	48 rpm	45 rpm	43 rpm	39 rpm	35 rpm	
	8.98	664	1593	3717	5841	7523	9602	11204	
		72 rpm	71 rpm	68 rpm	65 rpm	61 rpm	55 rpm	44 rpm	
	11.88		1274	3363	5549	7390	9399	11160	
			96 rpm	95 rpm	93 rpm	90 rpm	84 rpm	73 rpm	
	14.00		1027	3062	5071	7036	8921	10726	
		113 rpm	112 rpm	111 rpm	107 rpm	102 rpm	90 rpm		
15.85		726	2814	4770	6992	8629	10496		
		128 rpm	128 rpm	127 rpm	124 rpm	119 rpm	110 rpm		
17.96		513	2407	4602	6549	8452	10231		
		146 rpm	145 rpm	144 rpm	141 rpm	136 rpm	125 rpm		
19.81 <i>Max Cont.</i>			2036	4248	6213	8142	9877		
22.44			161 rpm	160 rpm	158 rpm	153 rpm	140 rpm		
			1770	4018	5859	7753			
23.76 <i>Max Int.</i>			182 rpm	180 rpm	177 rpm	168 rpm			
			1328	3345	5443	7434			
			194 rpm	193 rpm	190 rpm	182 rpm			

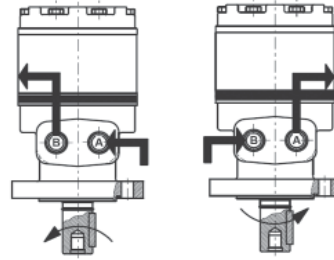
BMER-2 540		32.95 in ³ /rev (540 cm ³ /rev)					Max Cont.	Max Int.
Pressure (psi →)	254	508	1015	1523	2031	2538		
FLOW	(gpm ↓)	Torque (in•lbf) Speed Specification						
	0.53	929	1752					
		2 rpm	2 rpm					
	1.06	1106	2044	4160	6089	8248	10054	
		6 rpm	5 rpm	5 rpm	4 rpm	4 rpm	3 rpm	
	2.11	1186	2106	4390	6629	8549	10399	
		13 rpm	13 rpm	12 rpm	11 rpm	11 rpm	8 rpm	
	3.96	1080	(2036)	4469	6638	8682	10779	
		27 rpm	26 rpm	26 rpm	25 rpm	24 rpm	21 rpm	
	6.60	885	1991	4425	6850	8726	10797	
		44 rpm	43 rpm	42 rpm	41 rpm	39 rpm	35 rpm	
	8.98	708	1876	4257	6620	8646	11001	
		62 rpm	61 rpm	60 rpm	58 rpm	54 rpm	49 rpm	
	11.88		1531	3867	6319	8284	10532	
			82 rpm	82 rpm	81 rpm	79 rpm	75 rpm	
	14.00		1257	3682	6000	8301	10355	
		97 rpm	97 rpm	96 rpm	94 rpm	89 rpm		
15.85		938	3363	5876	7930	10248		
		110 rpm	110 rpm	109 rpm	108 rpm	106 rpm		
17.96		752	3159	5452	7700	9806		
		125 rpm	124 rpm	124 rpm	123 rpm	120 rpm		
19.81 <i>Max Cont.</i>			2814	5310	7310	9735		
22.44			138 rpm	137 rpm	135 rpm	132 rpm		
			2584	4761	6903			
23.76 <i>Max Int.</i>			154 rpm	153 rpm	152 rpm			
			1894	4301	6682			
			169 rpm	168 rpm	168 rpm			

BMER-2 750		45.46 in ³ /rev (745 cm ³ /rev)				Max Cont.	Max Int.
Pressure (psi →)	254	508	1015	1523	1740	2031	
F L O W	(gpm ↓)	Torque (in•lbf) Speed Specification					
	0.53	1283	2478				
		2 rpm	1 rpm				
	1.06	1416	2841	5788	8496	9868	11611
		4 rpm	4 rpm	4 rpm	3 rpm	3 rpm	2 rpm
	2.11	1434	2965	6089	9080	10257	11921
		9 rpm	9 rpm	9 rpm	8 rpm	8 rpm	7 rpm
	3.96	1381	2921	6142	9266	10478	12178
		19 rpm	19 rpm	18 rpm	18 rpm	17 rpm	16 rpm
	6.60	1257	2832	6089	9257	10434	12151
		32 rpm	31 rpm	30 rpm	30 rpm	29 rpm	27 rpm
	8.98	974	2549	5823	9036	10346	12089
		44 rpm	44 rpm	42 rpm	41 rpm	40 rpm	37 rpm
	11.88	628	2142	5487	8691	10116	11903
		60 rpm	59 rpm	59 rpm	58 rpm	58 rpm	55 rpm
	14.00		1788	5027	8328	9779	11576
			70 rpm	69 rpm	68 rpm	67 rpm	66 rpm
	15.85		1239	4664	7947	9611	11381
		79 rpm	78 rpm	77 rpm	76 rpm	74 rpm	
17.96		885	4301	7540	9151	11071	
		90 rpm	90 rpm	89 rpm	88 rpm	87 rpm	
19.81 <i>Max Cont.</i>		575	3761	7186	8673	10425	
		99 rpm	99 rpm	98 rpm	97 rpm	96 rpm	
21.91			3496	6593	8018		
			110 rpm	109 rpm	108 rpm		
23.76 <i>Max Int.</i>			2637	5841	7080		
			120 rpm	119 rpm	117 rpm		

BMER-2 Technical Data

Shaft Rotation Direction: Reverse Timed

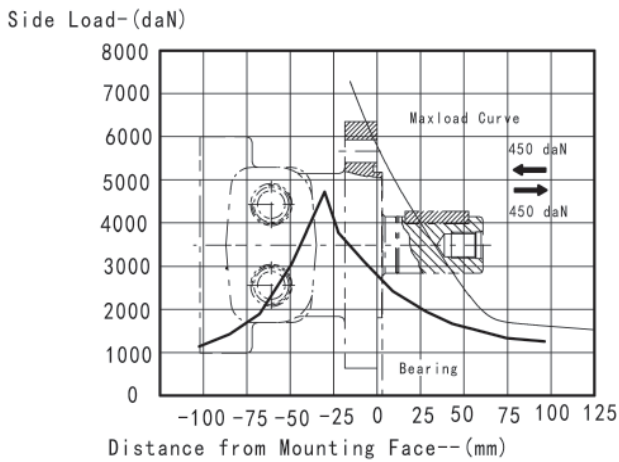
- When looking at the shaft end of motor, shaft will rotate:
- Clockwise when port "B" is pressurized.
 - Counter-clockwise when port "A" is pressurized.



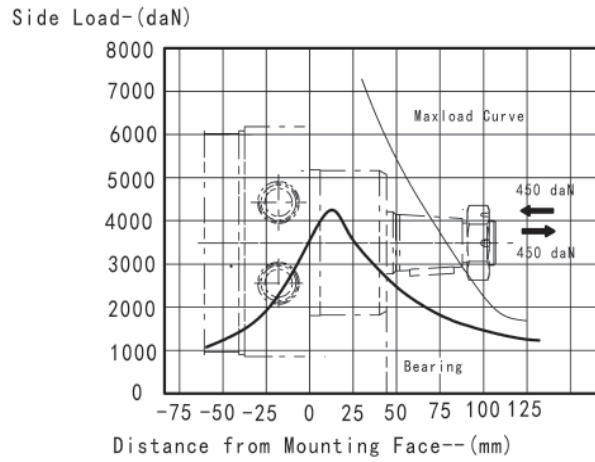
NEW Increased Radial Load Capacity!

Radial Forces - BMER-2

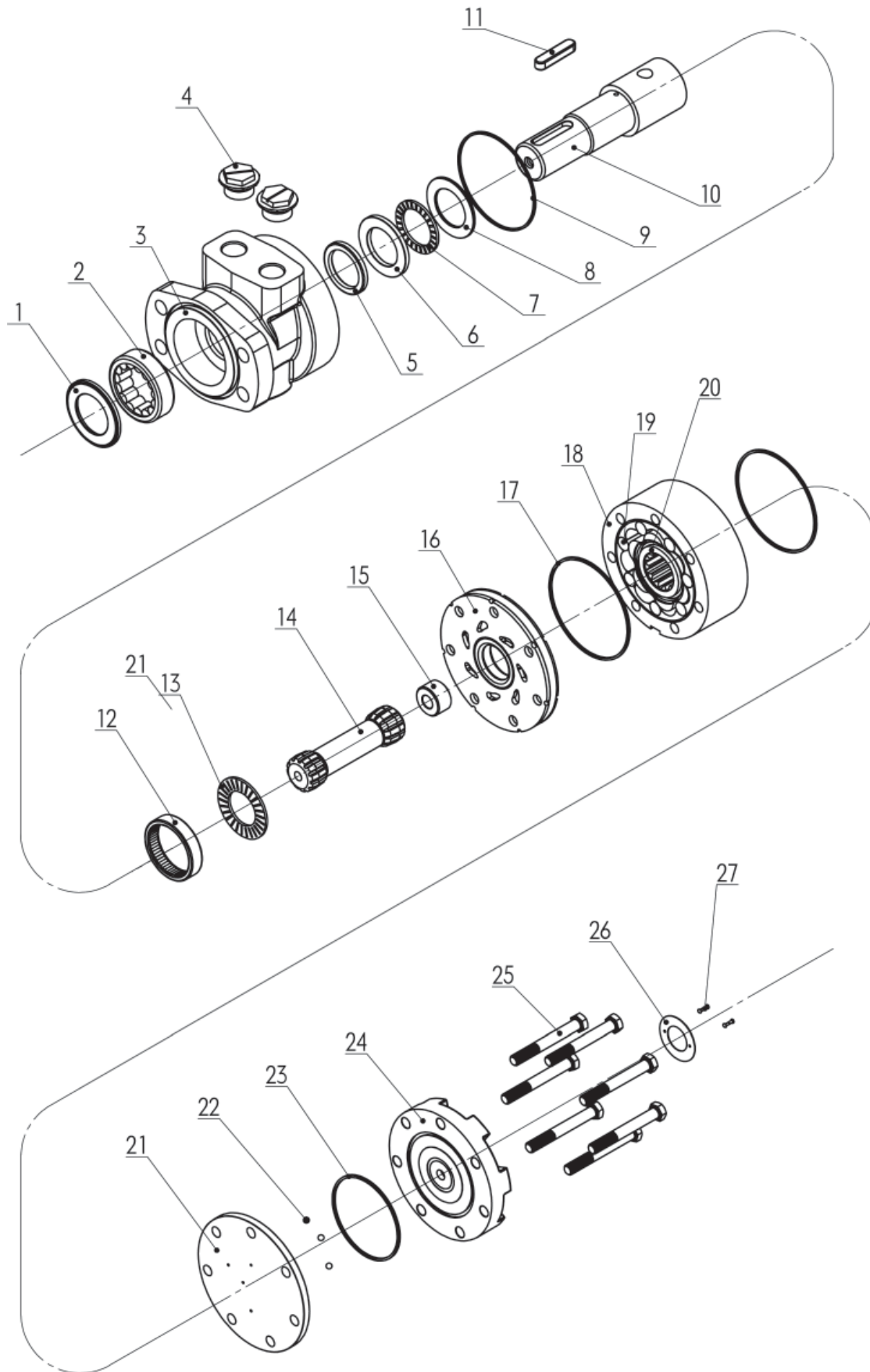
Magneto Mount



Wheel Mount



BMER-2 Motor - Parts Assembly Diagram



BMER-2 Motor - Parts Listing

#	Part Description	Qty per Motor
1	Dust Seal	1
2	Needle Bearing	1
3	Housing FS: Magneto Mount WS: Wheel Mount	1
4	Plugs	1
5	Shaft Seal	
6	Thrust Washer	1
7	Axial Needle Bearing	1
8	Thrust Washer	1
9	Housing Seal Ring	1
10	Shaft FD1: 14-Tooth Spline G2: 1 1/4" Keyed RW: 1" Keyed SW: 6B Spline T4: 1 1/4" Tapered G32: 1 1/2" Keyed T31: 1 1/2" Tapered	1
11	Key	1
12	Needle Bearing	1
13	Axial Needle Bearing	1
14	Drive Link	1
15	Washer	1
16	Manifold Plate	1
17	Plate Seal Ring	2
18	Stator	7
19	Roller	1
20	Rotor	1
21	Balance Plate	1
22	Ball	3
23	Plate Seal Ring	1
24	End Cover	1
25	Screw	7
26	Name Plate	1
27	Rivet	1

Seal Kit Contents

#	Part Description	Qty per Motor
1	Dust Seal	1
9	Housing Seal Ring	1
5	Shaft Seal	1
17	Plate Seal Ring	2
23	Plate Seal Ring	1

Tightening Torques

	Tightening (ft. lbs)
Displacement End	40
Flange End	N/A