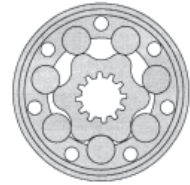




FLUID COMPONENTS, INC.

Hydraulic Motor Model BMK6

Crossover to Char-Lynn® 6000 Series



The BMK6 series motor adapts the advanced **ROLORTORC™** gear set design with **DISC** distribution flow and high pressure. These motors can be supplied with various options for multifunctional operations in accordance with the application requirements. The output shaft tapered roller bearings permit high axial and radial forces offering a smooth operation during low pressure start up and high pressure operation.

These low weight advanced construction design motors are manufactured in accordance with the requirements of the ISO 9000-2000 quality system.

Technical Specifications

MODEL		BMK6 200	BMK6 250	BMK6 315	BMK6 400	BMK6 500	BMK6 630	BMK6 800	BMK6 1000
Displacement <i>in³/rev (cm³/rev)</i>		11.93 (195.6)	15.01 (246.1)	19.01 (311.6)	23.87 (391.3)	29.95 (490.8)	38.01 (623)	48.96 (802.4)	59.90 (981.6)
Max Speed <i>rpm</i>	Cont	765	610	480	382	304	240	186	152
	Int.	865	830	690	570	455	360	280	230
Max Torque <i>in•lbf</i>	Cont	5000	6284	8142	10266	12789	13099	13984	14824
	Int.	7434	9558	11727	14382	16639	16726	16639	16462
Max Differential <i>psi</i>	Cont	2900	2900	2900	2900	2900	2538	2031	2031
	Int.	4351	4351	4351	4351	3988	3263	2538	2031
Max Flow <i>gpm</i>	Cont	39.62	39.62	39.62	39.62	39.62	39.62	39.62	39.62
	Int.	44.90	54.15	59.43	59.43	59.43	59.43	59.43	59.43
Weight		56 lbs	57 lbs	59 lbs	60 lbs	63 lbs	66 lbs	70 lbs	74 lbs

Continuous (Cont.) = maximum of continuous operation. Intermittent (Int.) = maximum operating range for 6 seconds per minute

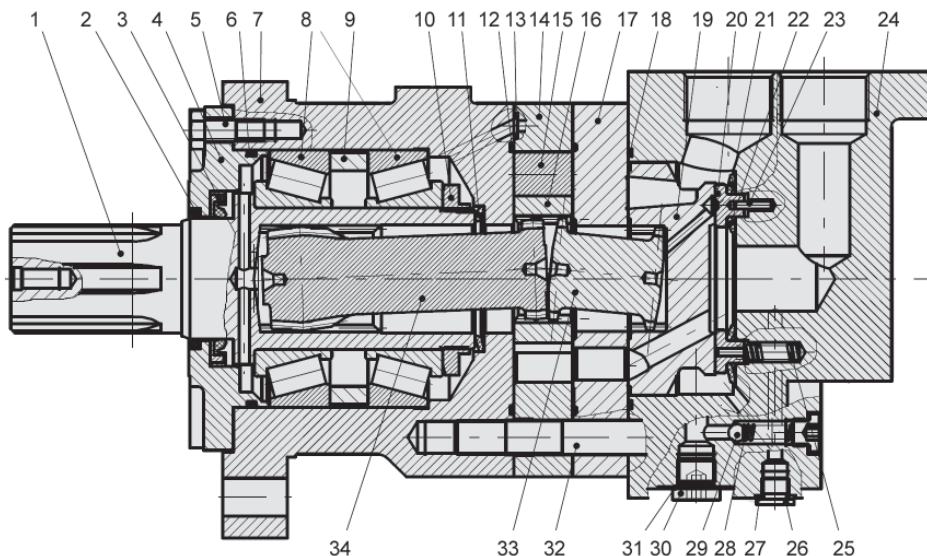


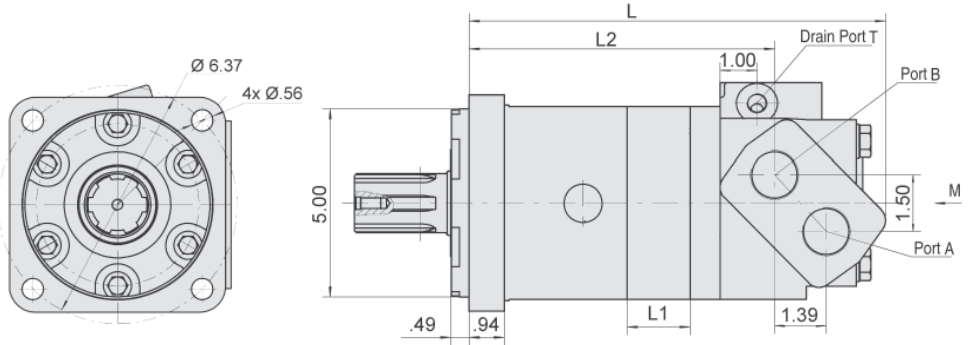
Diagram Key

- | | |
|---------------------|----------------------|
| 1 Output Shaft | 18 "O" Ring |
| 2 Dust Seal | 19 Distributor Plate |
| 3 Shaft Seal | 20 "O" Ring |
| 4 Front Cover | 21 Channel Plate |
| 5 Bolt | 22 Seal |
| 6 "O" Ring | 23 Seal |
| 7 Housing | 24 Pin |
| 8 Needle Bearing | 25 Spring |
| 9 Spacer Bushing | 26 Drain Plug |
| 10 Lock Nut | 27 "O" Ring |
| 11 Butterfly Washer | 28 Spring |
| 12 "O" Ring | 29 Ball |
| 13 Pin | 30 Drain Plug |
| 14 Stator | 31 Seal |
| 15 Roller | 32 Bolt |
| 16 Rotor | 33 Coupling |
| 17 Balance Plate | 34 Drive Link |

BMK6 Installation Data

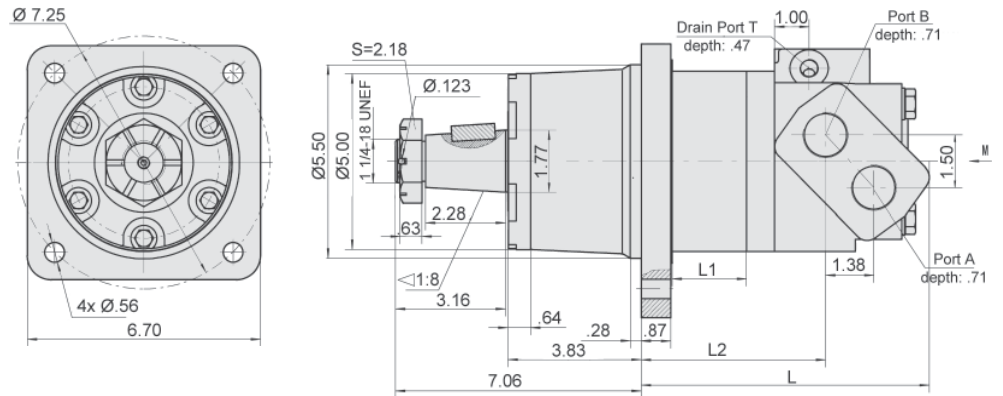
CC - SAE "CC" Mount

Motor Size	L	L1	L2
200	10.43"	.85"	7.38"
250	10.67"	1.07"	7.60"
315	10.94"	1.36"	7.87"
400	11.30"	1.71"	8.23"
500	11.73"	2.14"	8.70"
630	12.32"	2.72"	9.25"
800	13.11"	3.50"	10.03"
1000	13.89"	4.29"	10.81"



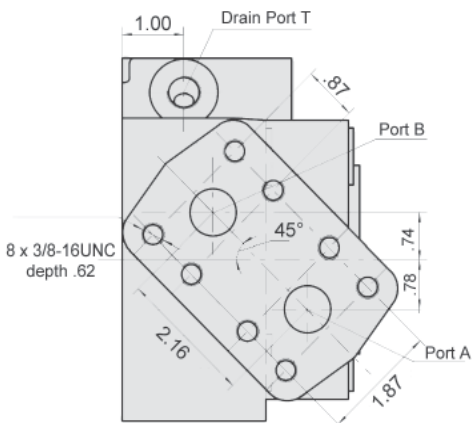
W - Wheel Mount

Motor Size	L	L1	L2
200	7.04"	0.85"	4.03"
250	7.28"	1.07"	4.25"
315	7.56"	1.36"	4.55"
400	7.91"	1.71"	4.90"
500	8.34"	2.14"	5.33"
630	8.92"	2.72"	5.91"
800	9.70"	3.50"	6.69"
1000	10.49"	4.29"	7.48"

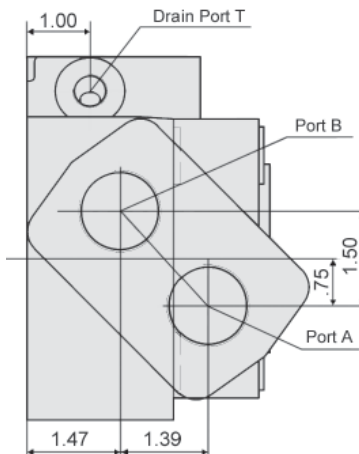


BMK6 Port Data

SF



SF5 & SF7

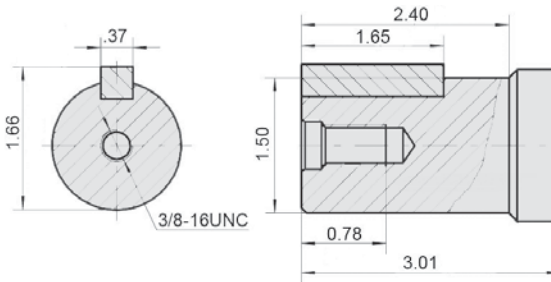


Port Sizes

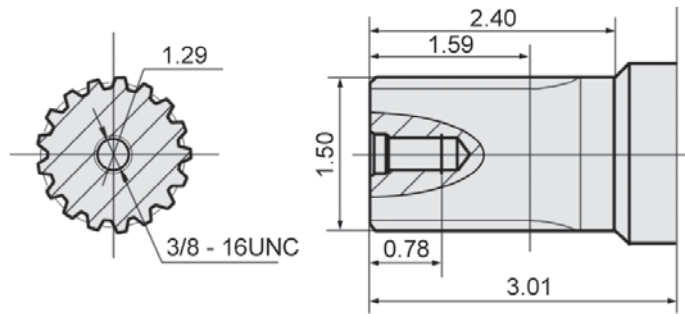
Model	P (A, B)	T
SF	3/4" Split	7/16-20 SAE
SF5	1 5/16-12 SAE	7/16-20 SAE
SF7	G1 (BSP)	G 1/4

BMK6 Drive Shaft Data

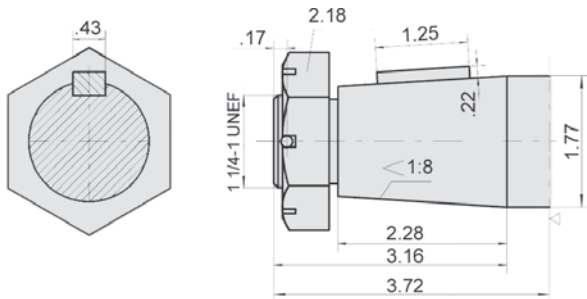
G2 - 1 1/2" Parallel Key



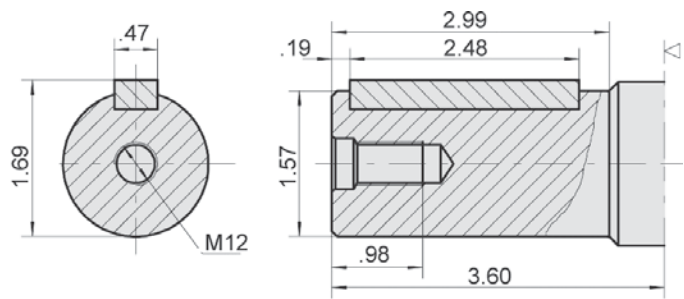
FE - 17-Tooth DP 12/24 Spline



T1 - 1 3/4" Tapered



Y1 - 40 mm Parallel Key



Ordering Example:

Model	Frame Size	Flange	Drive Shaft	Ports	Rotation
BMK6	250	CC	G2	SF5	

Model	Frame Size	Mounting Flange	Drive Shaft**	Port Size	Rotation
BMK6	200 (11.93) 250 (15.01) 315 (19.01) 400 (23.87) 500 (29.95) 630 (38.01) 800 (48.96) 1000 (59.90)	CC = SAE "CC" W* = Wheel	G2 = 1 1/2" Parallel Key FE = 17-Tooth Spline T1* = 1 3/4" Tapered Y1* = 40mm Parallel Key	SF5 = 1 5/16-12 SAE SF* = 3/4" Split Flange SF7* = G1 (BSP) Staggered	Omit = Clockwise R = Counter-Clockwise <i>Note: Direction of rotation is indicated when "A" port is pressurized</i>

*Special Order

**Additional shaft options available. Please consult factory.

Seal kits for BMK6 motors are available for purchase. Order seal kit using item description: "BMK6 Seal Kit".

BMK6 200		11.93 in ³ /rev (195.6 cm ³ /rev)						Max Cont.	Max Int.	Peak		
Pressure (psi →)		254	508	1015	1523	2031	2538	2901	3481	3989	4351	
FLOW	(gpm ↓)	Torque (in·lbf) Speed Specification										
	0.52	265	646	1416								
		9 rpm	7 rpm	5 rpm								
	2.11	318	672	1486	2318	3053	3876	4115				
		39 rpm	38 rpm	35 rpm	34 rpm	31 rpm	27 rpm	16 rpm				
	3.96	318	716	1540	2389	3230	4027	4513	5133	5664		
		75 rpm	75 rpm	74 rpm	71 rpm	65 rpm	60 rpm	45 rpm	32 rpm	16 rpm		
	7.92	327	752	1548	2433	3274	4115	4779	5443	6195	6770	
		152 rpm	151 rpm	147 rpm	142 rpm	132 rpm	121 rpm	109 rpm	96 rpm	80 rpm	60 rpm	
	11.88	327	752	1593	2478	3319	4159	4735	5752	6549	7124	
		228 rpm	227 rpm	223 rpm	218 rpm	210 rpm	200 rpm	185 rpm	165 rpm	146 rpm	110 rpm	
	15.85	336	708	1575	2495	3365	4204	5000	5841	6638	7301	
		305 rpm	304 rpm	302 rpm	297 rpm	288 rpm	280 rpm	255 rpm	235 rpm	210 rpm	170 rpm	
	19.81	283	690	1548	2433	3345	4248	5000	5929	6726	7434	
		382 rpm	380 rpm	376 rpm	370 rpm	362 rpm	350 rpm	328 rpm	300 rpm	270 rpm	230 rpm	
	23.77	230	663	1522	2389	3319	4204	5000	5841	6770		
		459 rpm	456 rpm	452 rpm	445 rpm	436 rpm	420 rpm	405 rpm	383 rpm	355 rpm		
	27.73	194	619	1504	2389	3274	4159	4956	5841	6726		
536 rpm		534 rpm	530 rpm	523 rpm	510 rpm	496 rpm	470 rpm	435 rpm	400 rpm			
31.70	177	592	1469	2345	3230	4115	4956	5841	6682			
	612 rpm	610 rpm	605 rpm	598 rpm	585 rpm	570 rpm	536 rpm	502 rpm	485 rpm			
35.66	123	575	1416	2301	3186	4115	4956	5797	6638			
	690 rpm	687 rpm	680 rpm	672 rpm	650 rpm	638 rpm	595 rpm	550 rpm	485 rpm			
39.62 Max Cont.	88	531	1371	2285	3150	3982	4867	5752				
	765 rpm	765 rpm	755 rpm	740 rpm	725 rpm	700 rpm	640 rpm	580 rpm				
44.90 Max Int.		531	1371	2256	3097	3982	4825	5664				
		865 rpm	850 rpm	840 rpm	820 rpm	800 rpm	745 rpm	700 rpm				

BMK6 250		15.01 in ³ /rev (246.1 cm ³ /rev)						Max Cont.	Max Int.	Peak		
Pressure (psi →)		254	508	1015	1523	2031	2538	2901	3481	3989	4351	
FLOW	(gpm ↓)	Torque (in·lbf) Speed Specification										
	0.52	407	814									
		7 rpm	4 rpm									
	2.11	451	911	1902	2964	3894	4867	4956				
		31 rpm	30 rpm	27 rpm	24 rpm	21 rpm	15 rpm	10 rpm				
	3.96	460	929	1947	3009	4027	5044	5664	6593	7523	8496	
		58 rpm	57 rpm	55 rpm	52 rpm	46 rpm	40 rpm	37 rpm	28 rpm	10 rpm	5 rpm	
	7.92	486	973	2053	3115	4159	5310	6062	6992	7965	9027	
		118 rpm	116 rpm	113 rpm	110 rpm	105 rpm	96 rpm	80 rpm	64 rpm	48 rpm	35 rpm	
	11.88	513	973	2079	3142	4204	5398	6239	7434	8319	9293	
		180 rpm	177 rpm	174 rpm	170 rpm	164 rpm	155 rpm	140 rpm	126 rpm	106 rpm	88 rpm	
	15.85	469	973	2035	3097	4248	5443	6239	7478	8452	9558	
		242 rpm	240 rpm	237 rpm	233 rpm	224 rpm	212 rpm	198 rpm	180 rpm	162 rpm	140 rpm	
	19.81	398	929	2035	3142	4292	5487	6284	7525	8496	9558	
		302 rpm	298 rpm	292 rpm	285 rpm	278 rpm	268 rpm	254 rpm	230 rpm	206 rpm	182 rpm	
	23.77	398	929	1991	3097	4248	5443	6284	7478	8452		
		364 rpm	360 rpm	352 rpm	342 rpm	338 rpm	322 rpm	305 rpm	288 rpm	265 rpm		
	27.73	354	885	1947	3009	4204	5398	6239	7434	8408		
		424 rpm	420 rpm	414 rpm	408 rpm	394 rpm	372 rpm	352 rpm	334 rpm	315 rpm		
	31.70	336	840	1858	3009	4159	5221	6195	7346	8319		
485 rpm		479 rpm	471 rpm	463 rpm	454 rpm	442 rpm	420 rpm	385 rpm	365 rpm			
35.66	309	752	1814	2876	4071	5133	6107	7257				
	546 rpm	540 rpm	532 rpm	525 rpm	516 rpm	504 rpm	478 rpm	445 rpm				
39.62 Max Cont.	265	708	1770	2832	3982	5044	6018	7213				
	608 rpm	605 rpm	600 rpm	592 rpm	580 rpm	566 rpm	532 rpm	496 rpm				
44.90		575	1681	2787	3894	4956	5974	6638				
		686 rpm	678 rpm	665 rpm	652 rpm	635 rpm	600 rpm	565 rpm				
48.87		1631	2743	3805	4823	5929						
		750 rpm	746 rpm	730 rpm	708 rpm	658 rpm						
54.15 Max Int.		1548	2655	3699	4743	4974						
		830 rpm	820 rpm	800 rpm	776 rpm	735 rpm						

BMK6 315		19.02 in³/rev (311.6 cm³/rev)					<i>Max Cont.</i>	<i>Max Int.</i>	<i>Peak</i>		
Pressure (psi →)	254	508	1015	1523	2031	2538	2901	3481	3989	4351	
F L O W	(gpm ↓)	Torque (in·lbf) Speed Specification									
	0.52	575 5 rpm	1115 4 rpm								
	2.11	601	1144	2478	3628	4774	5752	6638	7788		
		24 rpm	23 rpm	22 rpm	20 rpm	16 rpm	13 rpm	9 rpm	3 rpm		
	3.96	619	1194	2522	3850	5000	6107	7169	8319	8939	9160
		46 rpm	45 rpm	44 rpm	41 rpm	36 rpm	30 rpm	22 rpm	16 rpm	9 rpm	3 rpm
	7.92	619	1194	2610	3894	5310	6549	7788	8762	9735	10443
		93 rpm	92 rpm	90 rpm	86 rpm	80 rpm	71 rpm	62 rpm	52 rpm	43 rpm	31 rpm
	11.88	619	1239	2655	4071	5398	6638	7965	9160	110311	11505
		142 rpm	140 rpm	138 rpm	132 rpm	127 rpm	120 rpm	118 rpm	96 rpm	85 rpm	72 rpm
	15.85	619	1239	2653	4071	5443	6859	8142	9337	10620	11727
		190 rpm	189 rpm	186 rpm	182 rpm	176 rpm	167 rpm	154 rpm	138 rpm	124 rpm	105 rpm
	19.81	575	1194	2610	4027	5443	6903	8742	9426	10735	
		238 rpm	237 rpm	235 rpm	231 rpm	225 rpm	214 rpm	200 rpm	180 rpm	160 rpm	
	23.77	531	1150	2566	3982	5443	6903	8142	9470	10797	
		285 rpm	284 rpm	280 rpm	276 rpm	270 rpm	260 rpm	245 rpm	226 rpm	210 rpm	
	27.73	442	1106	2478	3938	5354	6815	8098	9470	10665	
		335 rpm	333 rpm	330 rpm	324 rpm	316 rpm	302 rpm	290 rpm	271 rpm	248 rpm	
	31.70	398	1062	2478	3894	5310	6770	8054	9331		
		384 rpm	382 rpm	380 rpm	372 rpm	364 rpm	350 rpm	338 rpm	312 rpm		
35.66	354	1017	2433	3850	5177	6726	7965	9293			
	432 rpm	428 rpm	420 rpm	412 rpm	408 rpm	391 rpm	380 rpm	350 rpm			
39.62 <i>Max Cont.</i>	309	973	2384	3717	5044	6682	7788	9116			
	480 rpm	475 rpm	462 rpm	458 rpm	450 rpm	435 rpm	420 rpm	395 rpm			
50.19		885	2168	3319	4602	6062	7257				
		595 rpm	580 rpm	574 rpm	560 rpm	548 rpm	530 rpm				
59.43 <i>Max Int.</i>			1947	3097	4225	5669	6815				
			690 rpm	683 rpm	674 rpm	652 rpm	634 rpm				

BMK6 400		23.87 in³/rev (391.3 cm³/rev)					<i>Max Cont.</i>	<i>Max Int.</i>	<i>Peak</i>		
Pressure (psi →)	254	508	1015	1523	2031	2538	2901	3481	3989	4351	
F L O W	(gpm ↓)	Torque (in·lbf) Speed Specification									
	1.05	796 4 rpm	1522 2 rpm	3186 1 rpm							
	2.11	840	1593	3274	4912	6461	7832	9072	10576		
		19 rpm	18 rpm	17 rpm	16 rpm	14 rpm	12 rpm	9 rpm	4 rpm		
	3.96	840	1637	3319	4950	6549	8231	9470	11196	12214	14382
		37 rpm	37 rpm	36 rpm	35 rpm	33 rpm	28 rpm	22 rpm	14 rpm	5 rpm	1 rpm
	7.92	867	1637	3363	5089	6726	8496	10045	11683	12877	14382
		75 rpm	74 rpm	73 rpm	71 rpm	68 rpm	65 rpm	55 rpm	45 rpm	31 rpm	20 rpm
	11.88	840	1637	3407	5133	6770	8585	10134	11815	13541	
		114 rpm	113 rpm	111 rpm	108 rpm	105 rpm	100 rpm	90 rpm	80 rpm	72 rpm	
	15.85	796	1593	3363	5133	6815	8629	10222	11904		
		152 rpm	152 rpm	150 rpm	147 rpm	142 rpm	134 rpm	126 rpm	112 rpm		
	19.81	752	1593	3363	5133	6859	8673	10266	11992		
		191 rpm	191 rpm	188 rpm	186 rpm	181 rpm	172 rpm	160 rpm	148 rpm		
	23.77	708	1548	3319	5044	6770	8629	10222			
		230 rpm	229 rpm	227 rpm	224 rpm	220 rpm	212 rpm	200 rpm			
	27.73	619	1460	3186	4956	6726	8540	10178			
		268 rpm	267 rpm	265 rpm	260 rpm	254 rpm	246 rpm	232 rpm			
	31.70	575	1416	3142	4867	6593	8408	10089			
		306 rpm	305 rpm	303 rpm	298 rpm	290 rpm	278 rpm	262 rpm			
35.66	486	1371	3009	4823	6505	8319	9912				
	345 rpm	343 rpm	337 rpm	330 rpm	322 rpm	310 rpm	295 rpm				
39.62 <i>Max Cont.</i>	398	1283	2832	4690	6461	8186					
	382 rpm	380 rpm	376 rpm	370 rpm	362 rpm	352 rpm					
50.19		1150	2655	4558	6461	8098					
		483 rpm	476 rpm	470 rpm	458 rpm	445 rpm					
59.43 <i>Max Int.</i>			2522	4425	6284	7921					
			570 rpm	560 rpm	550 rpm	535 rpm					

BMK6 500		29.95 in³/rev (490.8 cm³/rev)						<i>Max Cont.</i>	<i>Max Int.</i>	<i>Peak</i>
Pressure (psi →)	254	508	1015	1523	2031	2538	2901	3480	3988	
FLOW	(gpm ↓)	Torque (in•lbf) Speed Specification								
	1.05	1062	2035	4159	6062					
		7 rpm	6 rpm	5 rpm	3 rpm					
	2.11	1106	2124	4204	6239	8319	10311	12169		
		15 rpm	14 rpm	13 rpm	12 rpm	11 rpm	8 rpm	3 rpm		
	3.96	1106	2079	4248	6372	8496	10532	12391	14382	16639
		30 rpm	29 rpm	29 rpm	28 rpm	27 rpm	25 rpm	21 rpm	17 rpm	12 rpm
	7.92	1106	2079	4292	6505	8629	10753	12789	14913	
		60 rpm	59 rpm	58 rpm	57 rpm	54 rpm	50 rpm	45 rpm	35 rpm	
	11.88	1106	2079	4292	6505	8629	10753	12835		
		91 rpm	90 rpm	89 rpm	87 rpm	84 rpm	78 rpm	70 rpm		
	15.85	1062	2079	4248	6461	8629	10797	12922		
		121 rpm	121 rpm	120 rpm	118 rpm	114 rpm	108 rpm	98 rpm		
	19.81	973	1991	4159	6416	8585	10797			
		152 rpm	151 rpm	149 rpm	146 rpm	142 rpm	135 rpm			
	23.77	885	1947	4115	6372	8540	10753			
		182 rpm	182 rpm	180 rpm	178 rpm	175 rpm	168 rpm			
	27.73	840	1814	4071	6284	8496	10709			
		213 rpm	212 rpm	210 rpm	206 rpm	201 rpm	195 rpm			
	31.70	796	1725	3982	6195	8408	10665			
	244 rpm	243 rpm	240 rpm	235 rpm	228 rpm	221 rpm				
35.66	752	1548	3850	6018	8275	10355				
	274 rpm	273 rpm	270 rpm	265 rpm	258 rpm	250 rpm				
39.62 <i>Max Cont.</i>	619	1371	3717	5885	8142	10178				
	304 rpm	303 rpm	301 rpm	292 rpm	287 rpm	280 rpm				
50.19		1150	3186	5133	7655					
		385 rpm	382 rpm	373 rpm	365 rpm					
59.43 <i>Max Int.</i>			2832	4912	7080					
			455 rpm	440 rpm	432 rpm					

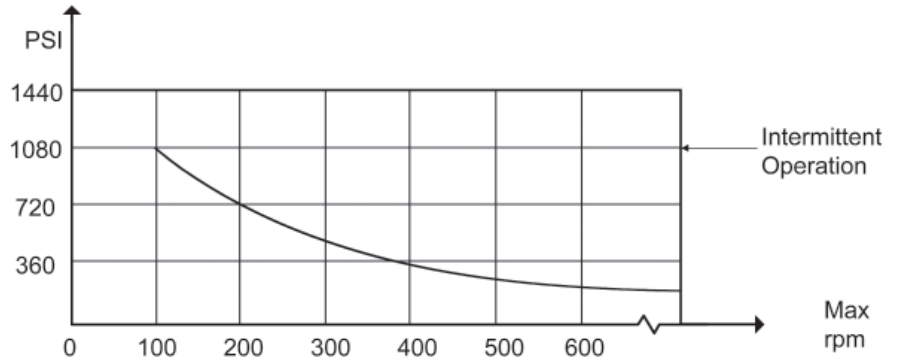
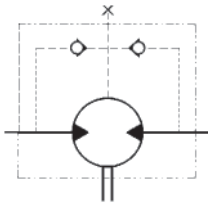
BMK6 630		38.01 in³/rev (623.0 cm³/rev)						<i>Max Cont.</i>	<i>Peak</i>
Pressure (psi →)	254	508	1015	1523	2031	2538	2901	3263	
FLOW	(gpm ↓)	Torque (in•lbf) Speed Specification							
	1.05	1150	2168	4425	6638				
		6 rpm	5 rpm	4 rpm	2 rpm				
	2.11	1194	2345	4779	7124	9243			
		12 rpm	12 rpm	11 rpm	10 rpm	8 rpm			
	3.96	1239	2478	5177	7655	9603	12612		
		24 rpm	23 rpm	22 rpm	21 rpm	16 rpm	13 rpm		
	7.92	1283	2610	5354	8186	11240	13099	15754	16727
		48 rpm	47 rpm	45 rpm	42 rpm	38 rpm	34 rpm	30 rpm	27 rpm
	11.88	1283	2610	5398	8142	11771	12966	15665	
		72 rpm	71 rpm	70 rpm	68 rpm	65 rpm	58 rpm	50 rpm	
	15.85	1194	2522	5354	8098	11771	12966		
		95 rpm	94 rpm	91 rpm	87 rpm	83 rpm	78 rpm		
	19.81	1150	2453	5266	8098	11722			
		120 rpm	119 rpm	116 rpm	112 rpm	106 rpm			
	23.77	1017	2301	5177	8009	11594			
		145 rpm	144 rpm	141 rpm	137 rpm	130 rpm			
	27.73	885	2256	5089	7921	11550			
		168 rpm	167 rpm	164 rpm	160 rpm	152 rpm			
	31.70	752	2079	4956	7788	11328			
	192 rpm	191 rpm	186 rpm	182 rpm	175 rpm				
35.66	663	1947	4779	7567					
	216 rpm	215 rpm	212 rpm	207 rpm					
39.62 <i>Max Cont.</i>	442	1770	4646	7434					
	240 rpm	239 rpm	236 rpm	233 rpm					
50.19			4115	7036					
			300 rpm	293 rpm					
59.43 <i>Max Int.</i>			3805	6549					
			360 rpm	348 rpm					

BMK6 800		48.96 in³/rev (802.4 cm³/rev)						<i>Max Cont.</i>	<i>Max Int.</i>	<i>Peak</i>	
Pressure (psi →)	254	508	725	1015	1233	1523	1740	2031	2248	2538	
F L O W	(gpm ↓)	Torque (in·lbf) Speed Specification									
	1.05	1522 4 rpm	3053 4 rpm	4690 2 rpm	6107 2 rpm	7611 1 rpm					
	2.11	1593 9 rpm	3142 9 rpm	4779 8 rpm	6416 8 rpm	8452 7 rpm	9558 6 rpm	11284 5 rpm	12037 4 rpm		
	3.96	1637 18 rpm	3274 18 rpm	5000 17 rpm	6708 17 rpm	8673 16 rpm	10001 15 rpm	11196 14 rpm	12568 12 rpm	14647 10 rpm	16639 9 rpm
	7.92	1681 36 rpm	3407 35 rpm	5221 34 rpm	7036 33 rpm	8894 32 rpm	10620 31 rpm	11771 29 rpm	13904 28 rpm	15400 26 rpm	
	11.88	1681 55 rpm	3407 55 rpm	5221 54 rpm	7880 53 rpm	8983 52 rpm	10620 52 rpm	12214 50 rpm	13718 48 rpm		
	15.85	1637 74 rpm	3363 73 rpm	5133 72 rpm	6992 70 rpm	8983 69 rpm	10620 67 rpm	11904 65 rpm			
	19.81	1557 92 rpm	3274 92 rpm	5089 91 rpm	6921 88 rpm	8850 87 rpm	10488 85 rpm	12081 82 rpm			
	23.77	1460 112 rpm	3186 111 rpm	4956 110 rpm	6770 108 rpm	8762 106 rpm	10355 102 rpm				
	27.73	1327 130 rpm	3009 129 rpm	4912 128 rpm	6638 127 rpm	8662 125 rpm	10222 120 rpm				
	31.70	1168 149 rpm	2816 148 rpm	4823 146 rpm	6505 143 rpm	8363 140 rpm	10001 135 rpm				
	35.66	929 168 rpm	2672 167 rpm	4646 165 rpm	6254 162 rpm	8063 158 rpm					
	39.62 <i>Max Cont.</i>	788 186 rpm	2389 185 rpm	4425 183 rpm	6018 180 rpm	7788 176 rpm					
	50.19		2655 235 rpm	4204 233 rpm	5841 230 rpm	7567 226 rpm					
	59.43 <i>Max Int.</i>			3743 280 rpm	5416 276 rpm	7346 272 rpm					

BMK6 1000		59.90 in³/rev (981.6 cm³/rev)						<i>Max Cont.</i>			
Pressure (psi →)	254	508	725	1015	1233	1523	1740	2031			
F L O W	(gpm ↓)	Torque (in·lbf) Speed Specification									
	1.05	1991 3 rpm	4071 3 rpm	5664 2 rpm	7744 2 rpm	9603 1 rpm					
	2.11	2035 7 rpm	4159 7 rpm	6151 6 rpm	8363 6 rpm	10355 5 rpm	12523 4 rpm	13807 3 rpm	14824 2 rpm		
	3.96	2124 15 rpm	4292 15 rpm	6328 15 rpm	8540 14 rpm	10620 14 rpm	12789 13 rpm	13984 13 rpm	15754 12 rpm		
	7.92	2124 30 rpm	4381 30 rpm	6372 30 rpm	8806 29 rpm	10930 28 rpm	13099 27 rpm	14515 25 rpm	16462 23 rpm		
	11.88	2124 45 rpm	4381 45 rpm	6372 44 rpm	8850 44 rpm	11063 43 rpm	13187 42 rpm	15046 40 rpm			
	15.85	2079 60 rpm	4336 60 rpm	6328 60 rpm	8762 59 rpm	11019 57 rpm	13276 55 rpm				
	19.81	1991 76 rpm	4204 76 rpm	6284 76 rpm	8673 75 rpm	10886 73 rpm	13143 70 rpm				
	23.77	1902 91 rpm	4071 91 rpm	6234 91 rpm	8496 90 rpm	10753 88 rpm	12966 85 rpm				
	27.73	1770 106 rpm	3938 106 rpm	6107 105 rpm	8319 105 rpm	10576 103 rpm	12745 100 rpm				
	31.70	1637 122 rpm	3717 122 rpm	5885 121 rpm	8142 119 rpm	10222 116 rpm					
	35.66	1327 137 rpm	3451 137 rpm	5620 136 rpm	7877 136 rpm	9912 134 rpm					
	39.62 <i>Max Cont.</i>	973 152 rpm	3186 151 rpm	5354 150 rpm	7611 148 rpm	9558 145 rpm					
	50.19		2832 192 rpm	5089 190 rpm	7257 188 rpm	9249 185 rpm					
	59.43 <i>Max Int.</i>			4558 230 rpm	7080 228 rpm	9027 224 rpm					

BMK6 Technical Data

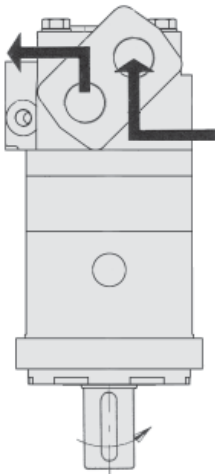
Shaft Seal Rated Pressure



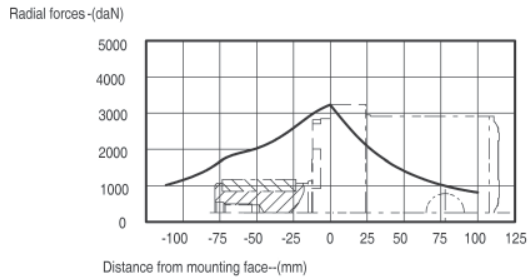
Case Drain

In applications without a motor drain line, the pressure exerted on the shaft seal is marginally in excess of the return line pressure. When the drain line is used the pressure exerted on the shaft seal is equal to the return line pressure.

Shaft Rotation Direction



BMK6 for CC Mounting Radial forces

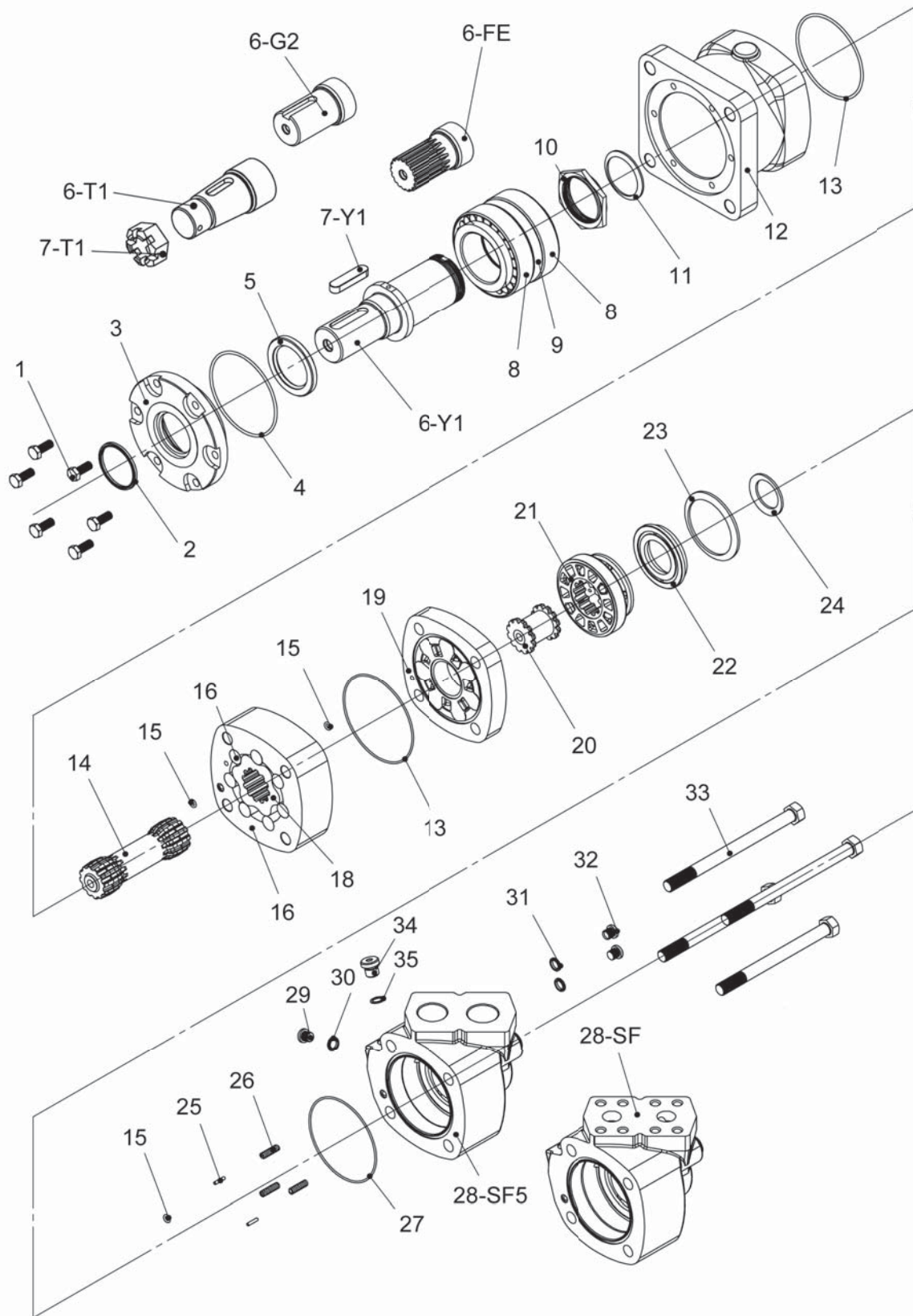


The bearing curve represents allowable bearing loads for an B10 bearing life (2000 hours or 12x10⁶ revolutions at 100rpm) at rated output torque. Other speed load multiply a load values.

The maximum load curve is defined by bearing static load capacity.

This curve should not be exceeded at any time including shock loads.

BMK6 Motor - Parts Assembly Diagram



BMK6 Motor - Parts Listing

#	Part Description	Qty per Motor
1	Screw	6
2	Dust Seal	1
3	Front Cover	1
4	"O" Ring	1
5	Shaft Seal	1
6	Shaft G2: 1 1/2" Keyed T1: 1 1/4" Keyed FE: 17-Tooth Spline Y1: 40mm Parallel Key	1
7	Key or Castellated Nut	0-1
8	Needle Bearing	2
9	Spacer Bushing	1
10	Lock Nut	1
11	Butterfly Washer	1
12	Housing	1
13	"O" Ring	1
14	Drive Link	1
15	"O" Ring	3
16	Stator	1
17	Roller	7
18	Rotor	1
19	Balance Plate	1
20	Coupling	1
21	Distributor Plate	1
22	Channel Plate	1
23	Seal	1
24	Seal	1
25	Pin	3
26	Spring	3
27	"O" Ring	1
28	End Cover	1
29	Drain Plug	3
30	Washer	3
31	Ball	2
32	Spring	2
33	Screw	4
34	Drain Plug	1
35	Washer	1

Seal Kit Contents

#	Part Description	Qty per Motor
2	Dust Seal	1
4	"O" Ring	1
5	Shaft Seal	1
13	"O" Ring	2
15	"O" Ring	3
23	Seal	1
24	Seal	1
27	"O" Ring	1

Tightening Torques

	Tightening (ft. lbs)
Displacement End	110
Flange End	25