



FLUID COMPONENTS, INC.

# Hydraulic Gear Pump

## Model GP-CBN

### 22 and 28 gpm Models



GAUGES & ACCESSORIES

HYDRAULIC PUMPS

HYDRAULIC MOTORS

APPENDIX

Model GP-CBN is a HI/LO hydraulic gear pump offers maximum pressures of 900 psi for the low pressure pump and 3000 psi for the high pressure pump. The change from LO to HI pressure is automatic with the LO pressure preset from 400 psi to 900 psi. The HI/LO pump is all cast iron. Applications for HI/LO pumps include log splitters, presses, etc. where rapid movement of the cylinder at low pressure is required prior to automatically switching to the high pressure mode to meet load requirements.

### Technical Specifications

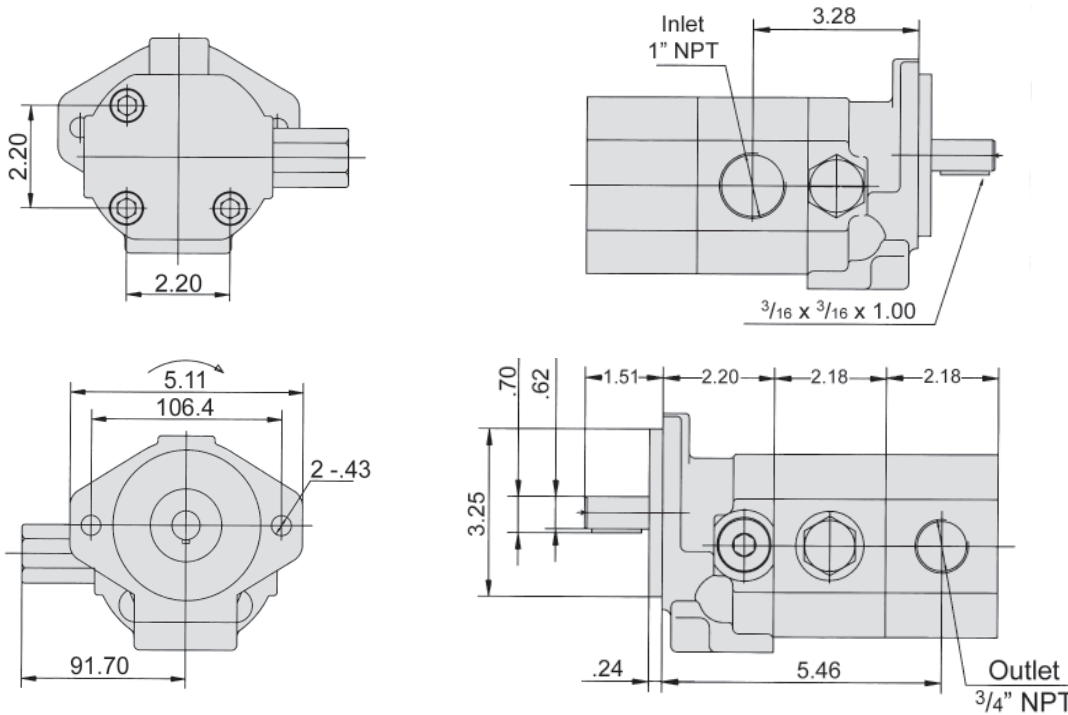
#### Recommended working conditions:

| Model      | Flow at 3600 rpm (gpm) | Displacement in <sup>3</sup> /rev (cm <sup>3</sup> /rev) |               | Pressure (psi) |      | Speed (rpm) | Weight (lbs) |
|------------|------------------------|--|---------------|----------------|------|-------------|--------------|
|            |                        | LO   | HI            | LO             | HI   |             |              |
| GP-CBN-220 | 22                     | 0.465 (7.63)   | 0.93 (15.26)  | 400/900        | 3000 | 3600        | 18.6         |
| GP-CBN-280 | 28                     | 0.465 (7.63)   | 1.395 (22.88) | 400/900        | 3000 | 3600        | 19.7         |

FILTRATION: 25 micron or better  
 OIL VISCOSITY: 6 - 200 cSt  
 INLET PRESSURE: 12 - 32 psi abs.  
 OIL TEMP: -25° - 80°C (-12° - 175°F)  
 AMBIENT TEMP: -22° - 55°C (-8° - 130°F)

Flow Rate (gpm) = Displacement (in<sup>3</sup>/rev) X Speed (rpm) / 231 Volumetric efficiency % ≥93

### Installation Data



**Ordering Example:** **GP** - **CBN** - **280** - **P** - **C**

Category: GP, Series: CBN, Displacement: 280, Drive Shaft: P, Rotation: C

| Category       | Series             | Nominal Flow gpm at 3600     | Drive Shaft**          | Rotation                                 |
|----------------|--------------------|------------------------------|------------------------|--|
| GP = Gear Pump | CBN = HI/LO Series | 220 = 22 gpm<br>280 = 28 gpm | P = 5/8" dia. Straight | C = Clockwise<br>(viewed from shaft end) |

\*\* Additional shaft options available. Please consult factory.

Seal kits for CBN gear pumps are available. See page 130 for details.