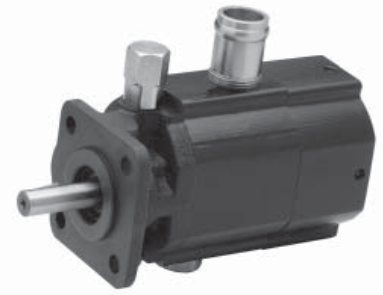




FLUID COMPONENTS, INC.

Hydraulic Gear Pump Model GP-CBN



Model GP-CBN is a HI/LO hydraulic gear pump with 12 displacement combinations with maximum pressures of 900 psi for the low pressure pump and 3000 psi for the high pressure pump. The change from LO to HI pressure is automatic with the LO pressure preset from 400 to 900 psi. The HI/LO pump is all cast iron. Applications for HI/LO pumps include log splitters, presses, etc. where rapid movement of the cylinder at low pressure is required prior to automatically switching to the high pressure mode to meet load requirements.

Recommended working conditions:

FILTRATION: 25 micron or better • OIL VISCOSITY: 6 - 200 cSt • INLET PRESSURE: 12 - 32 psi absolute
OIL TEMPERATURE: -25° - 80° C (-12° - 175° F) • AMBIENT -22° - 55° C (-8° - 130° F)

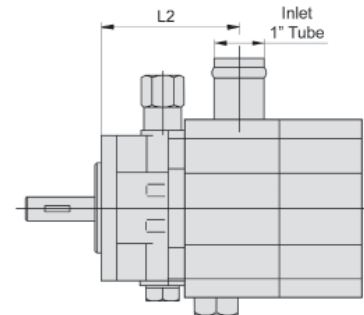
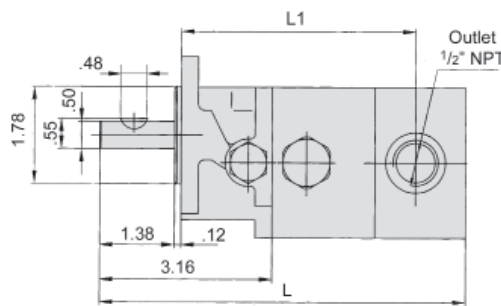
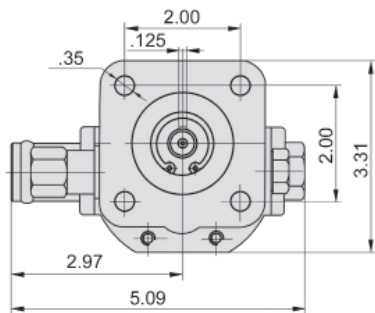
Technical Specifications

Model	Flow at 3600 rpm (gpm)	Displacement in ³ /rev (cm ³ /rev)		Pressure psi		Speed (rpm)	Weight (lbs)
		LO	HI	LO	HI		
GP-CBN-080	8	0.130 (2.1)	.385 (6.3)	400/900	3000	3600	8.8
GP-CBN-085*	8.5	0.183 (3.0)	.385 (6.3)	400/900	3000	3600	9.0
GP-CBN-090	9	0.220 (3.6)	.385 (6.3)	400/900	3000	3600	9.2
GP-CBN-100*	10	0.130 (2.1)	.537 (8.8)	400/900	3000	3600	9.4
GP-CBN-105*	10.5	0.183 (3.0)	.537 (8.8)	400/900	3000	3600	9.6
GP-CBN-110	11	0.220 (3.6)	.537 (8.8)	400/900	3000	3600	9.8
GP-CBN-115*	11.5	0.256 (4.2)	.537 (8.8)	400/900	3000	3600	10.0
GP-CBN-120*	12	0.130 (2.1)	.665 (10.9)	400/900	3000	3600	10.1
GP-CBN-125*	12.5	0.183 (3.0)	.665 (10.9)	400/900	3000	3600	10.3
GP-CBN-130	13	0.220 (3.6)	.665 (10.9)	400/900	3000	3600	10.8
GP-CBN-135*	13.5	0.256 (4.2)	.665 (10.9)	400/900	3000	3600	10.9
GP-CBN-160	16	0.256 (4.2)	.793 (13.0)	400/900	3000	3600	11.5

Installation Data

Model	Dimensions		
	L	L1	L2
GP-CBN-080	6.07"	3.74"	2.41"
GP-CBN-085*	6.21"	3.90"	2.41"
GP-CBN-090	6.28"	3.90"	2.41"
GP-CBN-100*	6.41"	4.08"	2.74"
GP-CBN-105*	6.54"	4.08"	2.74"
GP-CBN-110	6.61"	4.24"	2.74"
GP-CBN-115*	6.70"	4.24"	2.74"
GP-CBN-120*	6.70"	4.37"	3.04"
GP-CBN-125*	6.90"	4.53"	3.04"
GP-CBN-130	7.00"	4.53"	3.04"
GP-CBN-135*	7.09"	4.53"	3.04"
GP-CBN-160	6.70"	4.37"	3.04"

Flow Rate (gpm) = Displacement (in³/rev) X Speed (rpm) / 231
Volumetric efficiency % ≥93



Ordering Example:

Category: **GP** - Series: **CBN** - Displacement: **160** - Drive Shaft: **P** - Rotation: **C**

Category	Series	Nominal Flow gpm at 3600	Drive Shaft**	Rotation
GP = Gear Pump	CBN = HI/LO Series	080/085*/090/100* 105*/110/115*/120* 125*/130/135*/160	P = 1/2" dia. Straight	C = Clockwise (viewed from shaft end)

** Additional shaft options available. Please consult factory.

Seal kits for CBN gear pumps are available. See page 130 for details.