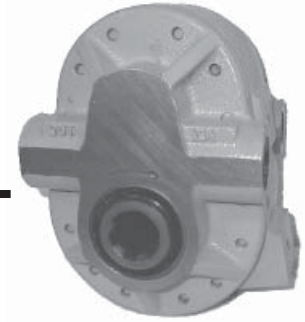




FLUID COMPONENTS, INC.

Side Port PTO Gear Pump Model GP-PTO



Model GP-PTO is a Power Take Off gear pump constructed with cast iron end plates and an aluminum center section. It offers 4 displacement sizes from 3.41 to 9.76 in³/rev (56-160 cm³/rev). Standard drive is 1 3/8" diameter 6-tooth female spline.

Technical Specifications

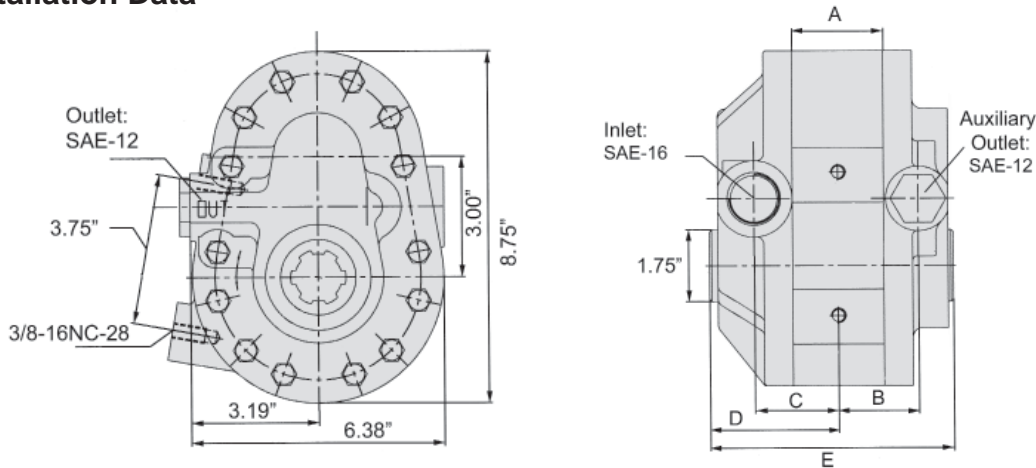
Model	Displacement (in ³ (cm ³) / rev)	Pressure (psi)	Speed		Weight (lbs)
			Rated	Max	
GP-PTO-3	3.41 (56)	2500	540	595	33
GP-PTO-5	5.50 (90)	2500	540	595	36
GP-PTO-7	7.62 (125)	2500	540	595	38
GP-PTO-9	9.76 (160)	2500	540	595	40

Recommended working conditions:

FILTRATION: 25 micron or better
 OIL VISCOSITY: 6 - 200 cSt
 INLET PRESSURE: 12 - 32 psi abs.
 OIL TEMPERATURE: -25° - 80° C
 (-12° - 175° F)
 AMBIENT: -22° - 55° C (-8° - 130° F)

Flow Rate (gpm) = Displacement (in³/rev) X Speed (rpm) / 231
 Volumetric efficiency % ≥93

Installation Data



Model	A	B	C	D	E
GP-PTO-3	1.26"	1.54"	1.63"	2.78"	5.23"
GP-PTO-5	1.62"	1.72"	1.81"	2.97"	5.60"
GP-PTO-7	2.00"	1.91"	2.00"	3.16"	5.97"
GP-PTO-9	2.37"	2.09"	2.19"	3.35"	6.35"

Ordering Example: **GP** - **PTO** - **A** - **5** - **6** - **S**

Category	Series	Center Section	Displacement	Drive	Ports
Gear Pump	PTO = Power Take Off Gear Pump	A = Aluminum	3/5/7/9	6 = 6-tooth Spline 21* = 21-tooth Spline	S = Side Ports

*21-tooth Spline option only available on size 3 & 5 pumps by special order - minimum quantities may be required.

Seal kits for PTO pumps are available. See page 130 for details.