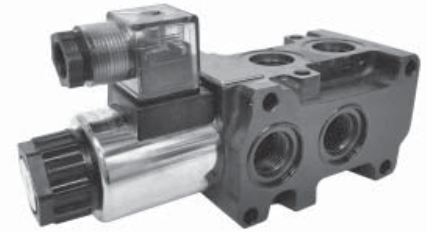




FLUID COMPONENTS, INC.

Model DSV Selector Valve

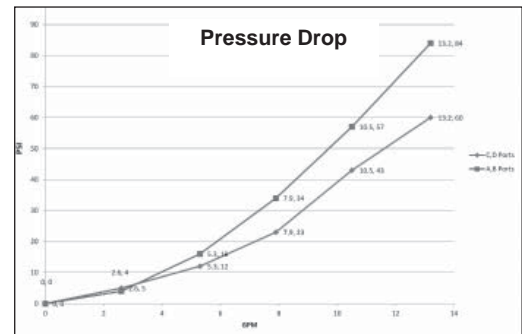
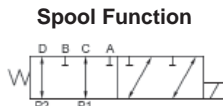
The Dynamic DSV 12-volt DC selector valve is operated by a continuously rated wet pin solenoid. This is capable of switching from one circuit to another at a variety of flows and pressures. The DSV may be connected to the service ports of a directional control valve and used to direct service line flow to and from either of two separate devices. If more than two circuits are to be controlled then additional units can be stacked together (max of 3), minimizing the need for pipes and fittings. Also the DSV series valves can be connected to a pump and used to direct the flow to either one of two different circuits.



Technical Specifications

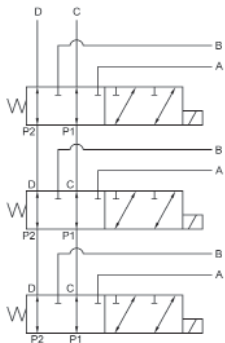
Hydraulic		
Port Size	3/4-16 - SAE-08	7/8-14 - SAE-10
Max Flow Rate	13.2 gpm	18.0 gpm
Operating Pressure	3600 psi	3600 psi
Oil Temp Range	-4°F - 158°F	-4°F - 158°F
Viscosity Range	70-1790 SSu	70-1790 SSu
Filtration Requirement	NAS 1638 8	NAS 1638 8
Weight	10 lbs	11.5 lbs

Electrical	
Supply Voltage	12/24 VDC
Amperage Rating	2.50A for DC 12V 1.21A for DC 24V
Max Ambient Temp	125° F
Max Coil Temp	356° F
Duty Cycle	Continuous

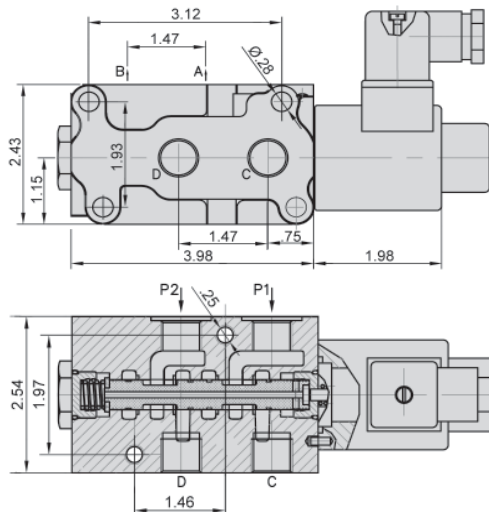


Stacking Valves

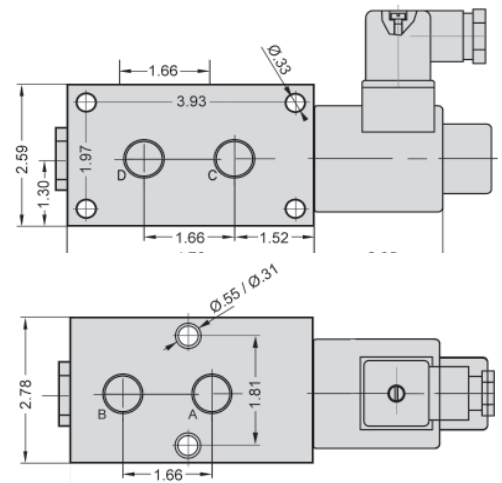
DSV Selector Valves can be stacked together to provide multiple circuit capacity. Up to 3 units can be stacked as the diagram below shows.



SAE-08



SAE-10



Ordering Example: Model **DSV** - Style **62** - Port Size **08** - Supply Voltage **12**

Model	Style	Port Size**	Supply Voltage
DSV= Dynamic Selector Valve	62 = 6-way, 2-Station	08 = SAE-08 10 = SAE-10	12 = 12/24VDC

** Additional port sizes may be available by special order.