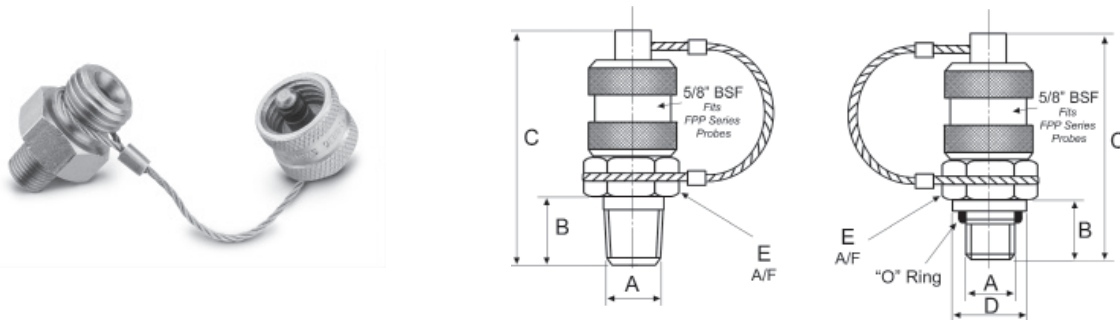


### Features

- Dynamic Special Design
- Rated at 6000 psi
- Buna Seals are Standard
- Connects Under Full Pressure
- All Steel Construction

Dynamic test point plugs and probes are designed to monitor hydraulic system conditions without system shutdown to connect the pressure gauge. These test plugs are fitted as a “standard” into the mobile or industrial application where eventual system monitoring is required.



### Model #'s and Dimensional Information

| Model # | A<br>Thread | B    | C     | D    | E    | Max. Torque | Weight  | Seal Kits |        |
|---------|-------------|------|-------|------|------|-------------|---------|-----------|--------|
|         |             |      |       |      |      |             |         | Buna-N*   | Viton* |
| FTP-02N | 1/8" NPT    | .39" | 1.81" | --   | .75" | 180 lbs     | .15 lbs | SK-115-N  | SK-115 |
| FTP-04N | 1/4" NPT    | .56" | 1.87" | --   | .82" | 180 lbs     | .17 lbs | SK-115-N  | SK-115 |
| FTP-04S | 7/16-20 SAE | .36" | 1.81" | .71" | .75" | 180 lbs     | .17 lbs | SK-115-N  | SK-115 |

\*Special Order Only



## FPP Series Test Point Probe

FPP Test Point Probes are designed to connect directly to the FTP Test Point Plugs (above). When fitted with the desired pressure gauge, the system pressure is released into the gauge's bourdon tube as the probe opens the test point valve. It can be connected and disconnected under pressure. This provides a precise means to monitor system pressure without turning the system off.

### Order Using Model #: FPP-04N

For complete model with a liquid-filled gauge, add the gauge model # to the probe model # (i.e. FPP-04N-CF1P-210A is a plug assembly fitted with a 2 1/2", 0-3000 psi stem mount gauge). See page 8 for 2 1/2" pressure gauge data.

### Gauge Protectors

Dynamic recommends the use of a gauge protector Buna N rubber housing when using a test point probe. This saves damage to the gauge should it be dropped or bumped during the test proceedings. Gauge Protectors can be ordered using model #: GP-40N. See page 15.

