

# DYNAMIC

## FLUID COMPONENTS, INC.

### BMSY Wheel Mount Motors

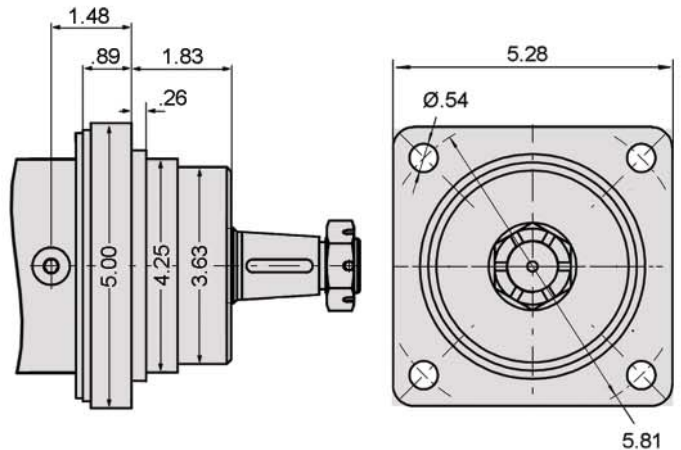
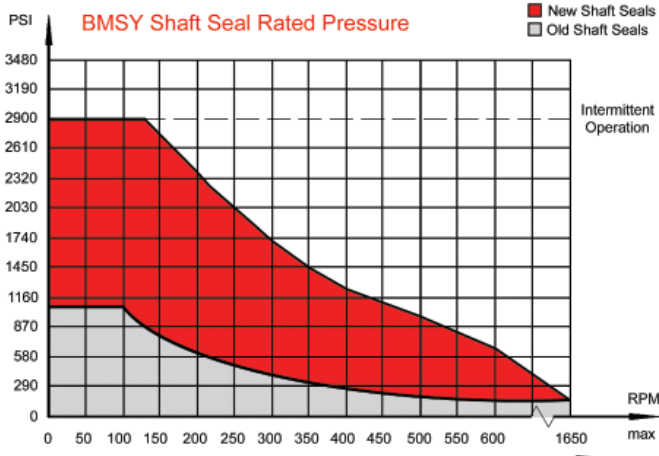
Drop-In Replacement for  
*Char-Lynn 2000 Series (105-xxxx)*



The BMSY series motor adapts the advanced **ROLORTORC™** gear set design with **DISC** distribution flow and high pressure. These motors can be supplied with various options for multifunctional operations in accordance with the application requirements. The output shaft tapered roller bearings permit high axial and radial forces offering a smooth operation during low pressure start up and high pressure operation.

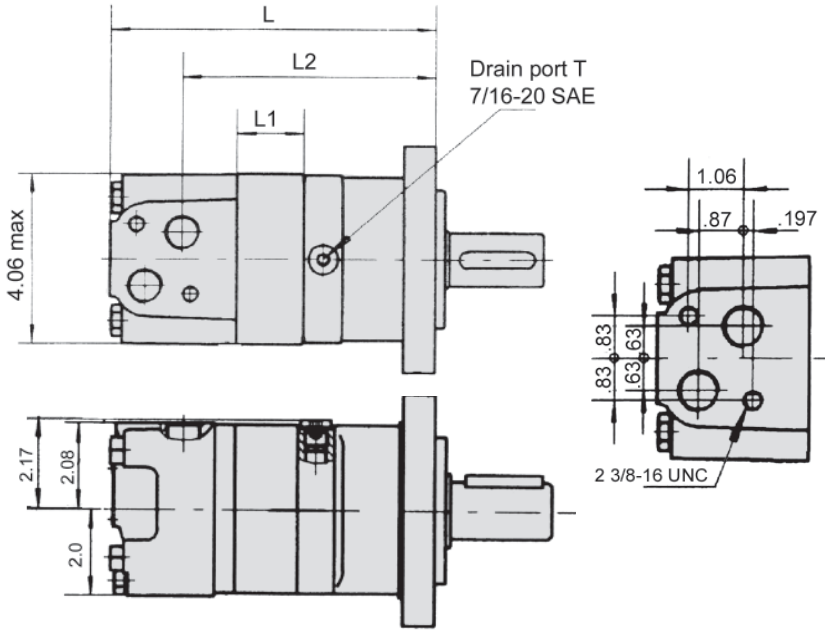
These low weight, advanced construction motors are manufactured in accordance with the requirements of the ISO 9000-2000 quality system.

Char-Lynn® Model #	Dynamic Model #	Char-Lynn® Model #	Dynamic Model #
105-1001	BMSY-80 WE-T4-S	105-1039	BMSY-160 WE-D-ED
105-1002	BMSY-100 WE-T4-S	105-1040	BMSY-200 WE-D-ED
105-1003	BMSY-125 WE-T4-S	105-1042	BMSY-315 WE-D-ED
105-1004	BMSY-160 WE-T4-S	105-1052	BMSY-80 WE-G-ED
105-1005	BMSY-200 WE-T4-S	105-1053	BMSY-100 WE-G-ED
105-1006	BMSY-250 WE-T4-S	105-1054	BMSY-125 WE-G-ED
105-1007	BMSY-315 WE-T4-S	105-1055	BMSY-160 WE-G-ED
105-1008	BMSY-80 WE-D-S	105-1056	BMSY-200 WE-G-ED
105-1009	BMSY-100 WE-D-S	105-1057	BMSY-250 WE-G-ED
105-1010	BMSY-125 WE-D-S	105-1058	BMSY-315 WE-G-ED
105-1011	BMSY-160 WE-D-S	105-1059	BMSY-400 WE-G-ED
105-1012	BMSY-200 WE-D-S	105-1060	BMSY-400 WE-T4-S
105-1013	BMSY-250 WE-D-S	105-1061	BMSY-400 WE-D-S
105-1014	BMSY-315 WE-D-S	105-1063	BMSY-400 WE-G-S
105-1022	BMSY-80 WE-G-S	105-1071	BMSY-80 WE-T4-ED
105-1023	BMSY-100 WE-G-S	105-1072	BMSY-100 WE-T4-ED
105-1024	BMSY-125 WE-G-S	105-1073	BMSY-125 WE-T4-ED
105-1025	BMSY-160 WE-G-S	105-1074	BMSY-160 WE-T4-ED
105-1026	BMSY-200 WE-G-S	105-1075	BMSY-200 WE-T4-ED
105-1027	BMSY-250 WE-G-S	105-1076	BMSY-250 WE-T4-ED
105-1028	BMSY-315 WE-G-S	105-1077	BMSY-315 WE-T4-ED
105-1029	BMSY-80 WE-F-S	105-1078	BMSY-400 WE-T4-ED
105-1030	BMSY-100 WE-F-S	105-1079	BMSY-80 WE-F-ED
105-1031	BMSY-125 WE-F-S	105-1080	BMSY-100 WE-F-ED
105-1032	BMSY-160 WE-F-S	105-1081	BMSY-125 WE-F-ED
105-1033	BMSY-200 WE-F-S	105-1082	BMSY-160 WE-F-ED
105-1034	BMSY-250 WE-F-S	105-1083	BMSY-200 WE-F-ED
105-1035	BMSY-315 WE-F-S	105-1084	BMSY-250 WE-F-ED
105-1036	BMSY-80 WE-D-ED	105-1085	BMSY-315 WE-F-ED
105-1037	BMSY-100 WE-D-ED	105-1086	BMSY-400 WE-F-ED



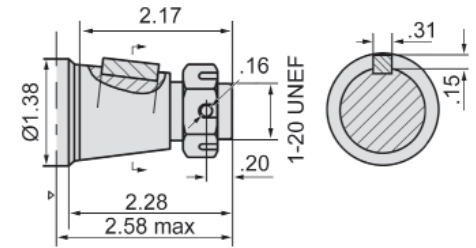
Visit Dynamic Fluid Components online at [WWW.DYNAMICFC.COM](http://WWW.DYNAMICFC.COM) for full product listings.  
Questions? Call 800-988-1276 or 864-638-5544.

# BMSY Installation Data:

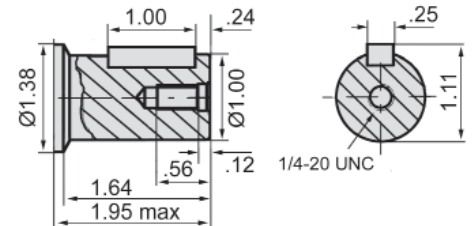


MODEL	L	L1	L2
<b>BMSY 80</b>	6.70"	0.63"	4.98"
<b>BMSY 100</b>	6.85"	0.79"	5.14"
<b>BMSY 125</b>	7.04"	0.98"	5.33"
<b>BMSY 160</b>	7.22"	1.24"	5.49"
<b>BMSY 200</b>	7.57"	1.57"	5.83"
<b>BMSY 250</b>	7.95"	1.97"	6.22"
<b>BMSY 315</b>	8.43"	2.44"	6.69"
<b>BMSY 400</b>	8.82"	2.71"	7.08"
<b>BMSY 475</b>	9.37"	3.26"	7.63"

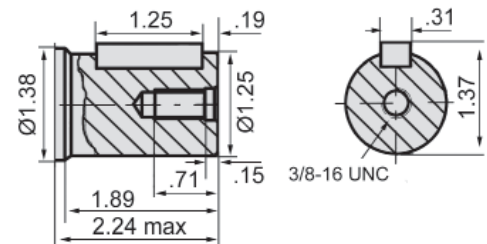
## T4 - 1 1/4" Tapered



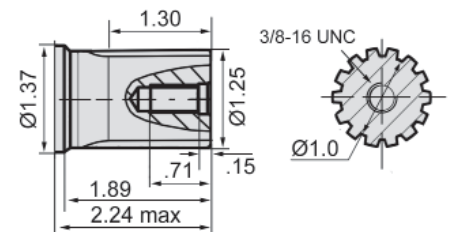
## D - 1" Parallel Key



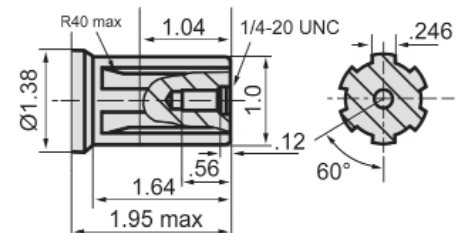
## G - 1 1/4" Parallel Key



## F - 1 1/4" - 14 DP Spline



## S1 - SAE 6B Spline



## Ordering Example:

Model **BMSY** - 
 Frame Size **200** - 
 Flange **WE** - 
 Drive Shaft **T4** - 
 Ports **S**

Model	Size	Flange**	Drive Shaft**	Port Size
BMSY 80 (4.92)		WE = Wheel Mount	D = 1" Parallel Key	S = 7/8" - 14 SAE
100 (6.15)			G = 1 1/4" Parallel Key	ED = Side Ports
125 (7.63)			S1 = SAE 6B Spline	1 1/16"-12 SAE
160 (9.59)			T4 = 1 1/4" Tapered	
200 (11.84)			F = 1 1/4" - 14 DP Spline	
250 (15.40)				
315 (19.20)				
400 (24.04)				
475 (28.98)				

Seal kits for BMSY Motors are available for purchase.