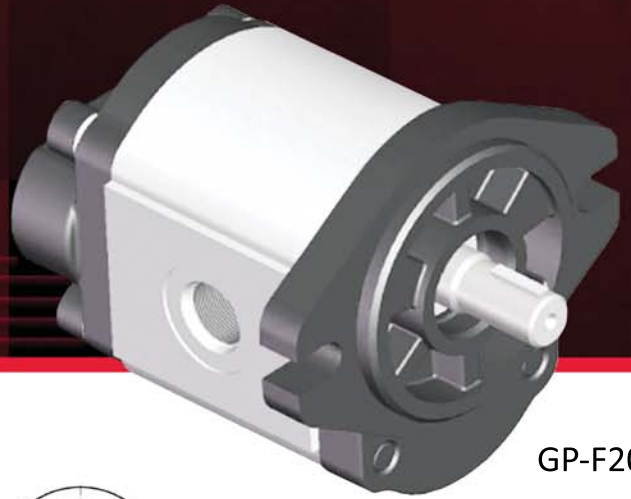
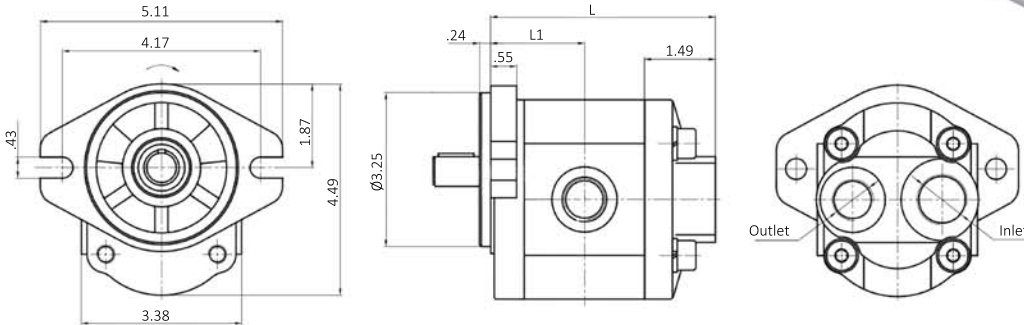


# DYNAMIC

FLUID COMPONENTS, INC.



GP-F20

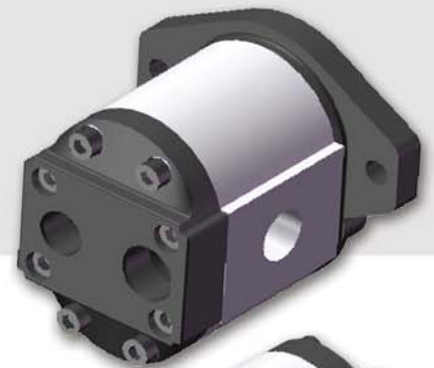


## Dynamic Gear Pump Rear Port Option

Convert a standard side ported gear pump to a rear ported pump with the addition of a rear port cover and side port plugs.

GP-F20 Rear Port Kit: \$25 net

GP-F25 Rear Port Kit: \$33 net



GP-F25

